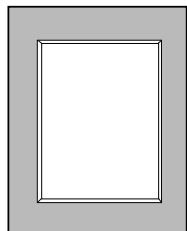


Model 525

Do-It-Yourself

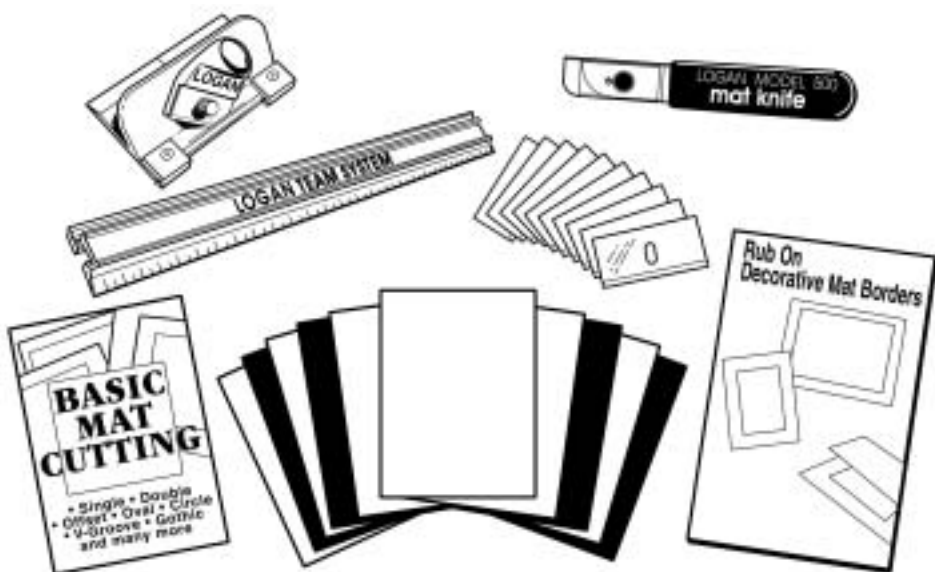
MAT CUTTING KIT



24" guiderule, bevel cutter, matknife, blades, matboards, rub-on transfers and basic matcutting book.



www.logangraphic.com



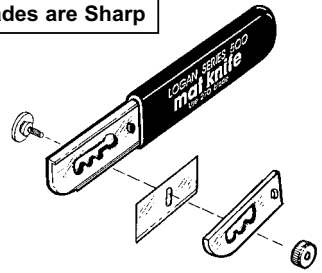
INSTRUCTION AND OPERATION MANUAL

Caution!! Mat Cutting Blades are Sharp

Preparation Inserting Blades

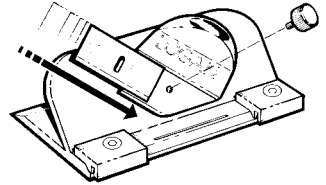
1. Matknife

Remove one blade from pack of 5. Remove nut and cover plate. Align blade hole over thread. Be sure sharp edge of blade is over curve in the handle. Reassemble cover plate. Adjust blade to one of three settings. Double thick, standard or safety setting. Tighten nut to lock in place.



2. Bevel Cutter

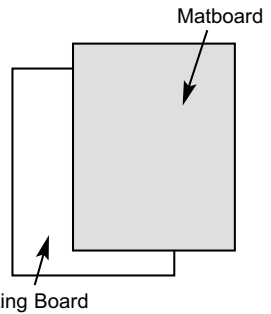
Remove the Blade Holding Screw from the front of the Bevel Cutter. Remove one blade from the package of 5. Slide the blade down onto the FRONT of the chrome blade holder. (Sharp edge down) until the bottom right hand corner of the blade enters into the blade slot and the hole in the blade lines up with the hole in the chrome blade holder. Replace Blade Holding Screw in hole and re-tighten.



Operation Matknife

Cutting a Board to Size

The matknife is used for trimming matboard to size or outside dimensions. the knife has three settings: safety, single thickness and foamboard.



1. Use a Backing Sheet

Before cutting, be sure to use a backing sheet of an 8x10 mat of scrap matboard the same size or larger than the piece you are going to cut underneath the matboard you will be cutting. Use one of the 10 pieces provided in the box for now. The Backing Sheet provides a place for the blade tip to go so it won't cut into the surface you are cutting on.

2. Measuring

Draw pencil lines on back of matboard at desired size. Place the channel side of the rail edge along the left side of the pencil line. (Fig 1).

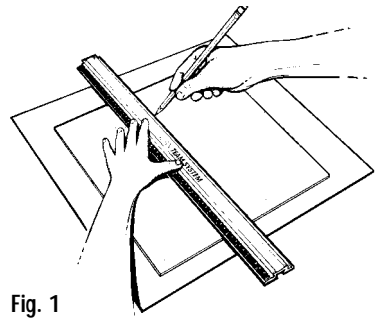


Fig. 1

3. Precut

Hold the rail firmly in place with your left hand. With your right hand hold the knife vertical so that the handle is at a 45 degree angle putting the tip against the straight edge. (Fig2). If you are cutting across a sheet of matboard, simply start the blade beyond the top edge of the board and pull the matknife completely through.

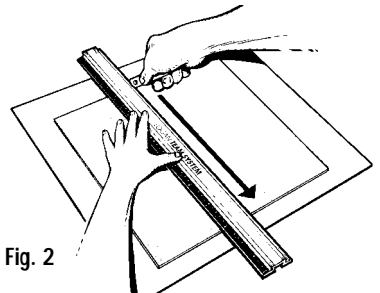


Fig. 2

4. Cutting

Draw the matknife toward you along the straight edge keeping contact pressure on the Straight Edge and downward pressure on the Matknife. (Fig3).

WARNING! Be careful when knife reaches the end of the mat so that it does not "jump" toward you.

Fig. 3



Bevel Cutter Cutting a Single Mat

1. Using the scale side of straight edge, mark the back of the mat for the exact border you want.
2. Place the mat face down on the Backing Sheet. Place the Straight Edge EXACTLY on the left hand border so that the outside edge of the channel is lined up along the pencil line. (Fig.4). Make sure that the bulk of the mat is to the right hand side of the straight edge. Having the mat on the left side of the straight edge will result in a reversed bevel cut. Attach the 302 Bevel Cutter to the straight edge by fitting the black nylon guides over the raised edge of the channel. Position the mat cutter so that the silver indicator line lines up with the bottom intersecting pencil line. (Fig.5).
3. Hold downward pressure on the Straight Edge with your left hand. Place the thumb of your right hand on the thumb divot on the retractable Blade Holder and plunge the blade into the mat.
4. Keeping downward pressure on the Blade Holder, slide the Bevel Cutter away from you until it intersects with the upper line. Be sure and keep even downward pressure. (Fig.6).
5. Use your thumb to pull the blade holder back into the up position so the blade is removed from the mat. Repeat these steps for the remaining three sides. Congratulations! You have just cut your first mat.

To adjust the blade depth on the Bevel cutter, turn the screw on the underside of the cutting head clockwise to decrease or counter-clockwise to increase the amount of the exposed blade.

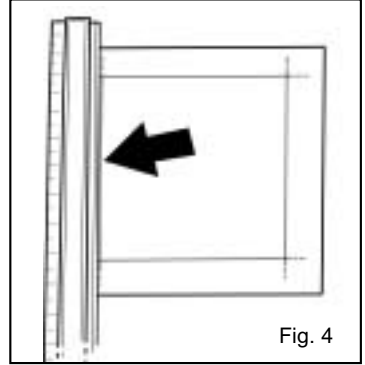


Fig. 4

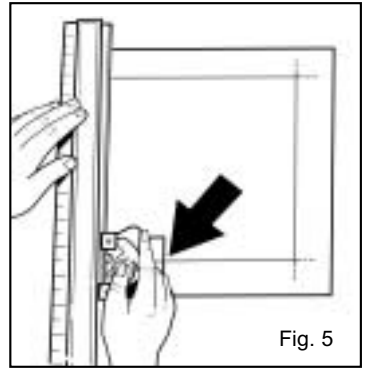


Fig. 5

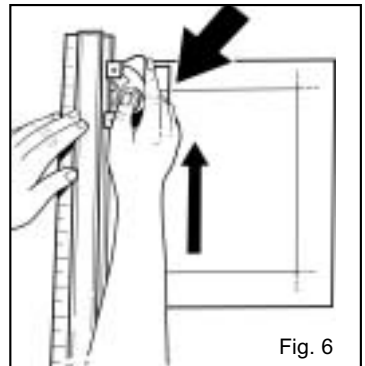


Fig. 6

Apply Rub-on Transfers

Align the sheet of transfers across the top of the mat with desired design in place. Use the grid on the sheet to aid in alignment. Using any blunt tipped object or tool (Blunt tipped pencil, spoon handle, coin, etc.) gently rub on the back of the transfer sheet to apply transfer on the surface of the matboard.

Trouble Shooting

Bevel Cut has a Rough Edge

1. You may need to change your blade more often. Dull blades drag through the mat instead of cut.
2. Change your Backing Sheet. Cutting over the same area on the Backing Sheet repeatedly can cause rough cuts.

Not Cutting Through the Mat

1. Keep even downward pressure on the Chrome Blade Holder throughout the cut. Letting pressure off will allow the blade to come out of the mat.

Overcuts In Corners

1. Check your blade depth. Extra blade depth can cause the blade tip to cut past the marked lines producing an overcut. Using the recessed screw on the bottom of the Bevel Cutter, adjust the blade tip to allow for 1/8" exposed. The blade should just slice into the surface of the Backing Sheet.

Hooks or Curves in Cut

1. Check your blade depth. Extra blade depth can cause the blade tip to flare out producing a hook or curve. Using the recessed screw on the bottom of the Bevel Cutter, adjust the blade tip to allow for 1/8" exposed. The blade should just slice into the surface of the Backing Sheet.
2. Change the Blade. A dull blade will flare out causing a hook or curve.

A NOTE ON BLADES: No two blades will have the same lifespan. Always start with a new blade before each project to insure best results.



Logan Graphic Products, Inc.

1100 Brown Street

Wauconda, IL 60084

847/526-5515 fax 847-526-5155

toll free 800/331-6232

See us at www.logangraphic.com

E-MAIL cs@logangraphic.com