

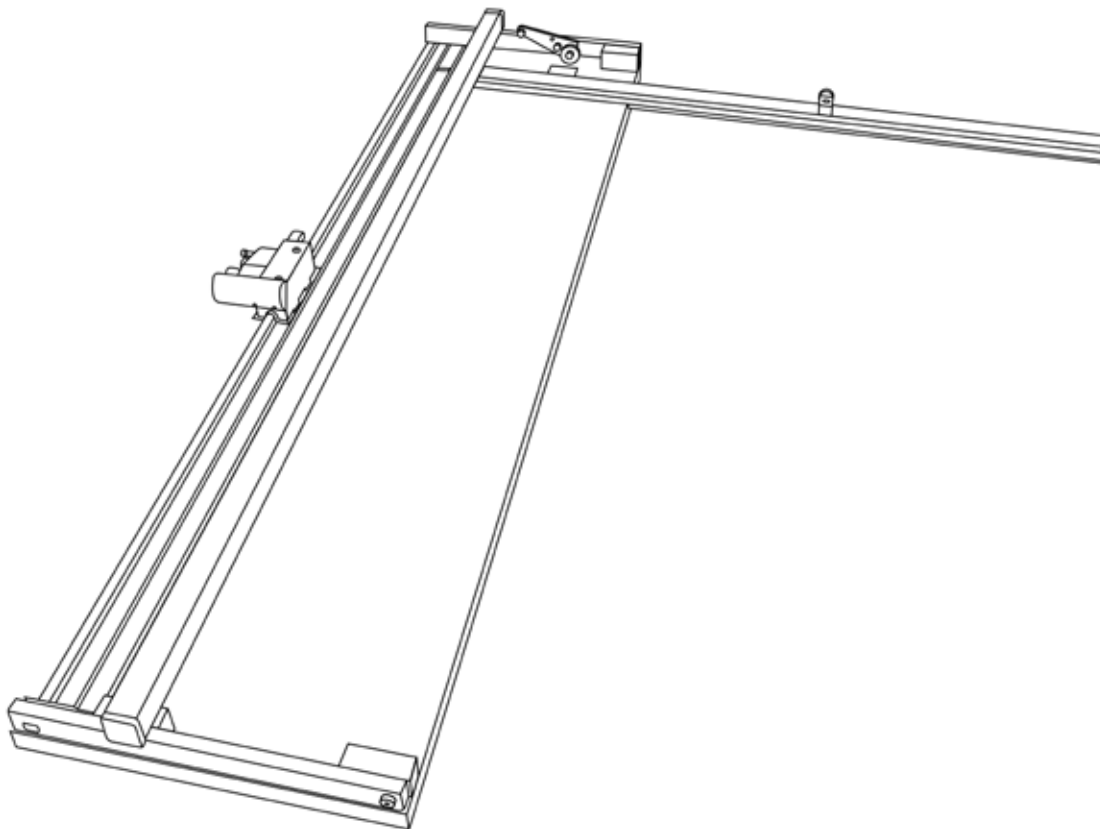
**GENERAL PURPOSE TRIMMER**

# TOTAL TRIMMER

**Introduction**

The Logan Trimmer offers many unique features and durability that make it the best value trimmer/cutter available. Capable of handling your most demanding trimming needs, the Total Trimmer is the versatile work-horse trimmer you have been looking for. Ideal for trimming difficult materials like PVC foamboard and vinyl, it also easily cuts common materials such as films, paper and almost any flexible or rigid materials. Easy to use, ergonomic design, safety features and inexpensive cost makes the Total Trimmer a cutter with great features at a great price.

For advice, assistance or replacement parts please contact us at [www.logangraphic.com](http://www.logangraphic.com)



**For best results use only authentic Logan blades**

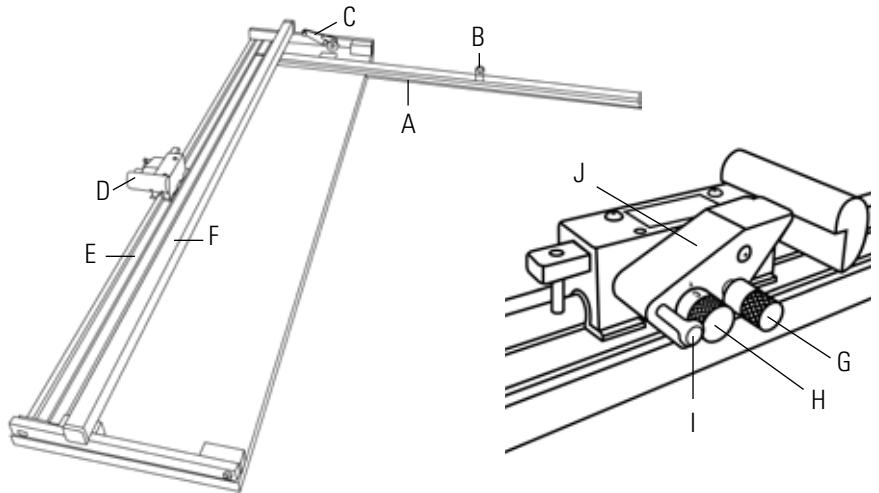
**Identification**

**Board**

- A. Squaring Arm
- B. Squaring Arm Stop
- C. Lifter
- D. Cutting Head
- E. Cutting Bar
- F. Handle Bar

**Head**

- G. Blade Knob
- H. Depth Adjustment Knob
- I. Plunger Pin
- J. Blade Holder



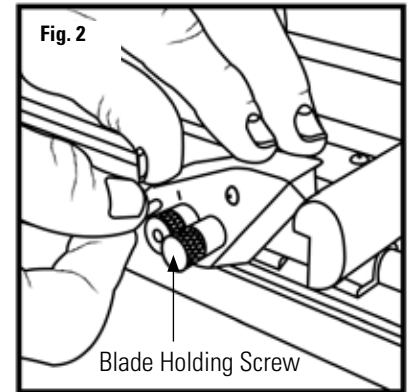
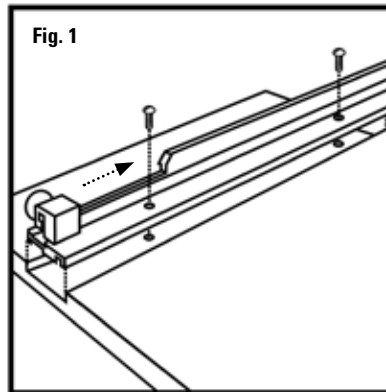
**Safety**

- Remove blades when servicing machine.
- Do not place your fingers near blade when using machine.
- Be sure lifter bar is down when cutting.
- Do not force cutting head if stuck.

**Assembly**

**Attaching Squaring Arm & Stop**

1. Use two screws to attach squaring arm to board.
2. Slide stop on to squaring arm. (Fig. 1)



**Blade Installation**

1. With handle bar in down position, pull out plunger pin & rotate blade holder back. Loosen blade holding screw (Fig. 2)
2. Slide blade into slot under "Blade" label. (Fig. 3)
3. Tighten screw & rotate blade holder back until plunger pin releases to safety position.

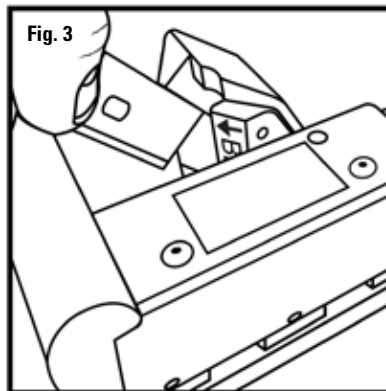
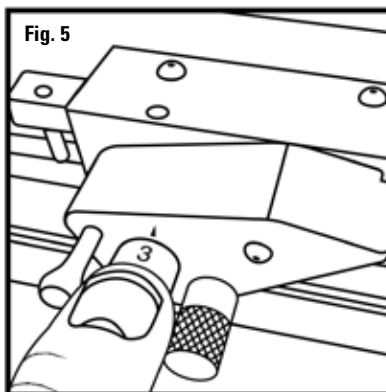


Fig. 4

BLADE DEPTH SETTINGS	
1 1/8"	3mm
2 3/16 - 1/4"	5-6mm
3 3/8 - 1/2"	9-12mm
Use Blade#267	

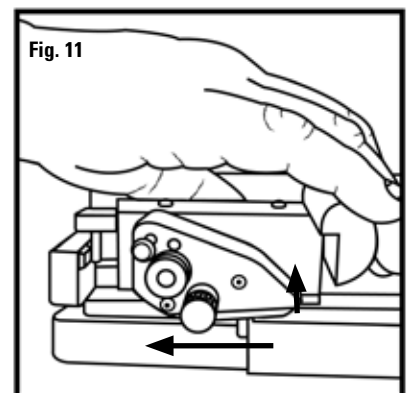
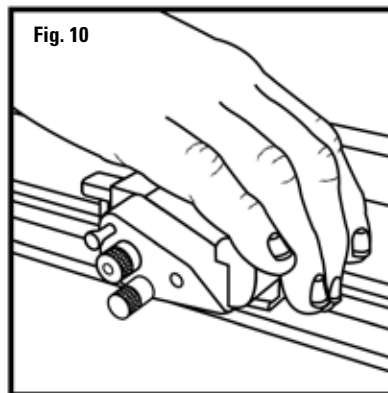
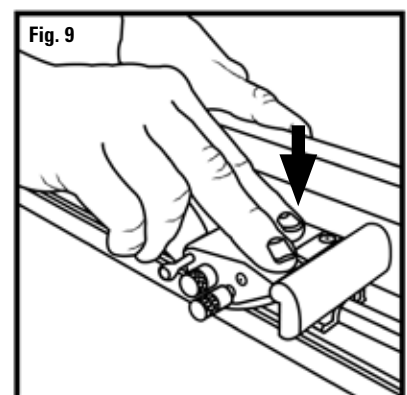
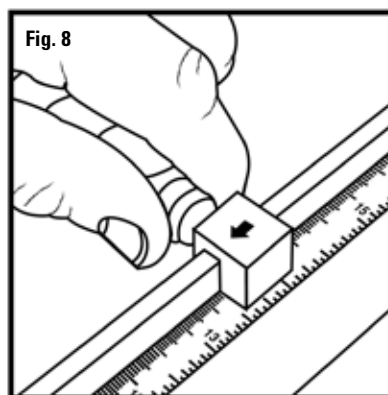
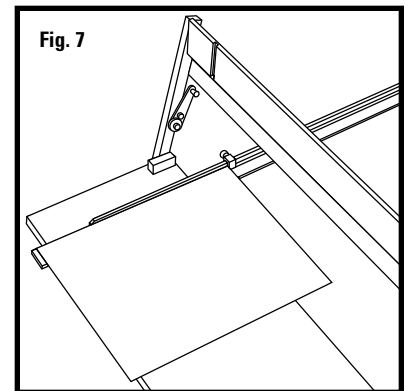
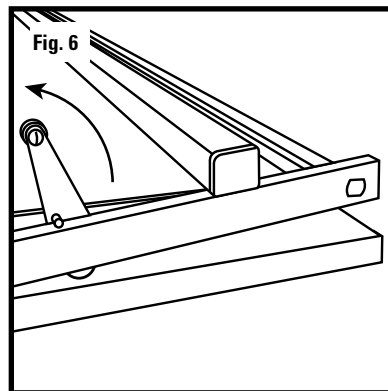
**Depth Setting**

1. Determine desired depth setting using Blade Depth Settings chart. (Fig. 4)
2. Rotate depth adjustment knob to desired number setting. (Fig. 5)



**Operation**

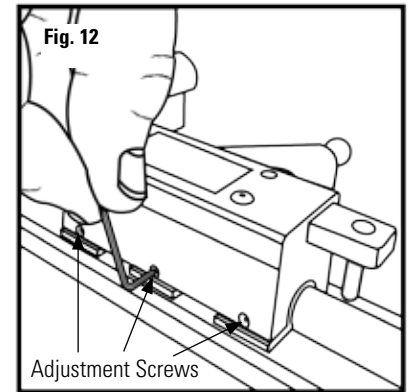
1. Raise cutting bar using lifter arm or raise to full open position. (Fig. 6)
2. Slide material onto board and against squaring arm. (Fig. 7)
3. Adjust Stop to desired dimension. (Fig. 8)
4. Lower Cutting Bar
5. Slide Cutting Head beyond end of material.
6. Pivot blade down fully until it locks. (Fig. 9)
7. Place hand on to cutting handle & pull cutting head down through material until head reaches support bar. (Fig 10)
8. Upon contact with support bar, the blade holder will automatically release to safety position. (Fig. 11)



**Maintenance and Adjustment**

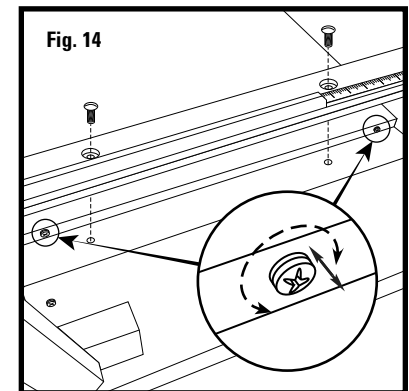
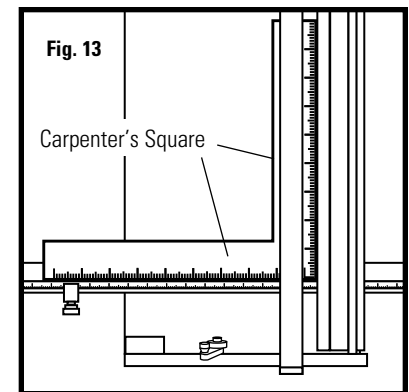
**Cutting Head Bearings**

If cutting head is loose or wobbling, tighten three adjustment screws to eliminate the play and improve cut accuracy. (Fig. 12)



**Resquare Squaring Arm**

1. Place a carpenter's square against cutting bar first. Slide against squaring arm and look for gaps between square and squaring arm. (Fig. 13)
2. Notice which way squaring arm would have to move to eliminate gap.
3. Remove squaring arm and locate two screws inside side slots. (Fig. 14)
4. To adjust, move each screw equal but opposite directions. Only adjust a small amount.  
**DO NOT ADJUST TENSION SCREW** - Single screw on opposite side
5. Retest squareness.



**Warranty**

Logan Graphic Products, Inc. ("Logan") warrants the T300 and T360 Total Trimmer to be free from defects in parts and workmanship for a period of two years from the date of original purchase. Logan warrants that it will either repair or replace, at its sole discretion, any necessary replacement parts found to be defective. Should the product need to be returned to Logan for repair or replacement parts, authorization for any return must come from Logan in writing. Costs of returning the product to Logan, including insurances, shall be borne by the purchaser. Logan shall not be liable for any damages or losses, incidental or consequential, direct or indirect, arising from the use of this product. This warranty extends only to the original purchaser and is not assignable or transferable. This warranty is in lieu of all other warranties, expressed or implied. Be advised that any Logan products purchased as "new" from an unauthorized dealer, such as an online auction site or similar, may be void of their warranty.