

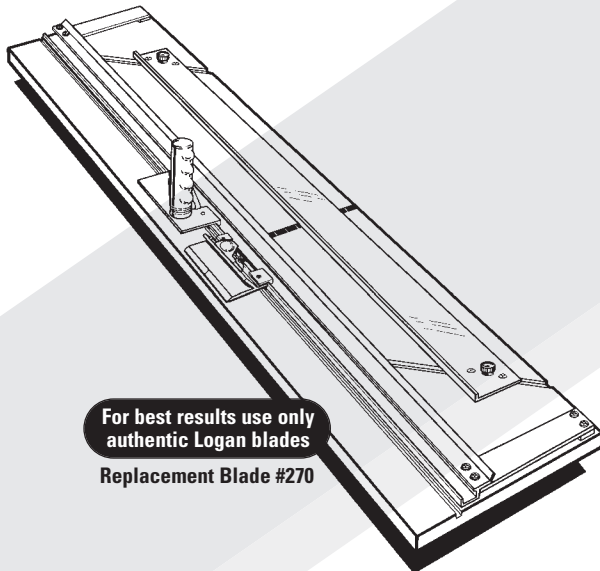
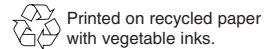
# COMPACT MAT CUTTER

MODEL 301-S

## INSTRUCTION AND OPERATION MANUAL

32" (81.28cm) mat cutting system with straight and bevel cutting heads - cuts board up to 29.5" (74.93cm) wide.

NOTE: This mat cutter is designed to cut only 4-ply mat board.



For best results use only authentic Logan blades  
Replacement Blade #270

## INTRODUCTION:

Congratulations on your purchase of the Logan Compact Mat Cutter. This versatile and dependable tool will prove to be a useful device for those seeking professional results from a low priced, easy to use mat cutter. This instruction manual is written to acquaint you thoroughly with this product. Please take some time to familiarize yourself with it before cutting. You will find that the time taken will be well worth it and you will be cutting quality mats in no time.

## TABLE OF CONTENTS:

<b>Check of Contents</b>	1
<b>Identification of Machine Components</b>	1
<b>Work Surface/Orientation</b>	1
<b>Blade Installation</b>	1
<b>Operation</b>	
A. Straight Cutting a Mat Board to Size	2
B. Cutting a Beveled Opening	2
C. Cutting an Opening in a Mat Board Longer than 32"	2
D. Cutting a Beveled Opening Left Handed	2
E. Cutting a Straight Opening	2
<b>Adjustments &amp; Maintenance</b>	
A. Blade Depth Adjustment	3
B. Re-Parallel the Mat Guide	3
C. Helpful Hints	3
<b>Trouble Shooting</b>	3

Parts schematic available online at [www.logangraphic.com](http://www.logangraphic.com)

## Warranty

Logan Graphic Products, Inc. ("Logan") warrants the 301-S COMPACT to be free from defects in parts and workmanship for a period of two years from the date of original purchase. Logan warrants that it will either repair or replace, in its sole discretion, any necessary replacement parts found to be defective. Should the product need to be returned to Logan for repair or replacement parts, authorization for any return must come from Logan in writing. Costs of returning the product to Logan, including insurances, shall be borne by the purchaser. Logan shall not be liable for any damages or losses, incidental or consequential, direct or indirect, arising from the use of this product. This warranty extends only to the original purchaser and is not assignable or transferable. This warranty is in lieu of all other warranties, expressed or implied.

Purchase Date \_\_\_\_\_

ID Number (on bottom of board) \_\_\_\_\_

Date (on bottom of board) \_\_\_\_\_



[www.logangraphic.com](http://www.logangraphic.com)

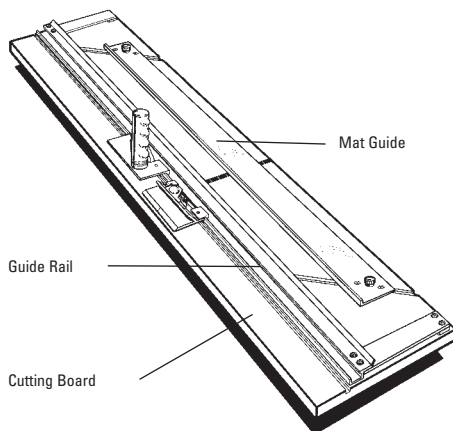
**Logan Graphic Products, Inc.**  
1100 Brown Street  
Wauconda, IL 60084 USA  
Phone (847) 526-5515 Fax (847) 526-5155  
Toll Free (800) 331-6232

L158N4 8\_08

## CHECK OF CONTENTS

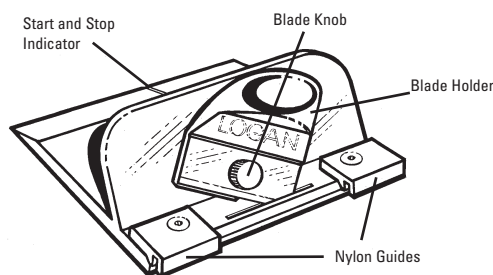
**301-S Compact** - 32" (81.28cm) base board with Mat Guide, Straight and Bevel Cutting Heads, Slip Sheet and 1 five pack of Logan #270 blades.

## IDENTIFICATION OF MACHINE COMPONENTS



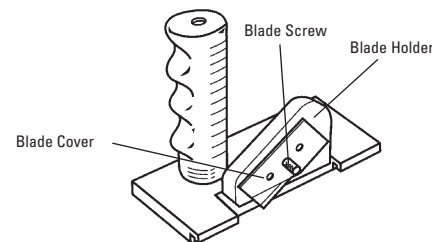
### Cutting Board

- Guide Rail** - Used to guide cutting heads while in use.
- Mat Guide**- Used to set the border width of a mat and keep the mat in position.
- Cutting Board**- Vinyl covered base board of machine.



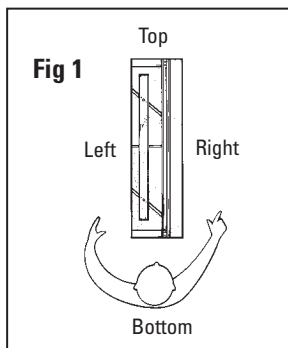
### Bevel Cutting Head

- Start and Stop Indicator** - Line which shows where to begin and end cut.
- Blade Knob** - Holds blade in place for cutting
- Blade Holder** - Blade holding device which slides allowing blade to cut into mat.
- Nylon Guides** - Guides which allow Bevel Cutting Head to hook onto Guide Rail.



### Straight Cutting Head

- Blade Holder** - Block which holds blade in place while cutting. Has three separate depth settings.
- Blade Cover** - Covers blade on Blade Holder.
- Blade Screw** - Holds blade in place inside Blade Holder.



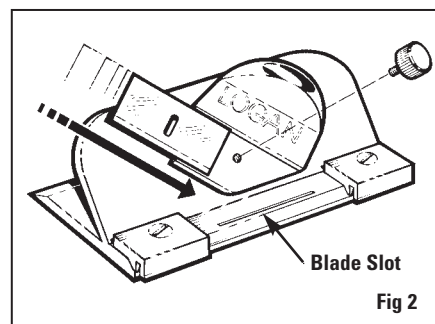
### WORK/SURFACE/ ORIENTATION

The work surface where you will place your Compact **MUST BE FLAT**, smooth and sturdy. Any undulation or inconsistencies in the work surface may cause the Cutting Board to bow which can result in curves in your cut. The procedure detailed in the following instructions refer to the right and left side and the top and bottom of the machine as shown. **Fig 1.**

### A. Blade Installation

#### 302 Bevel Cutter

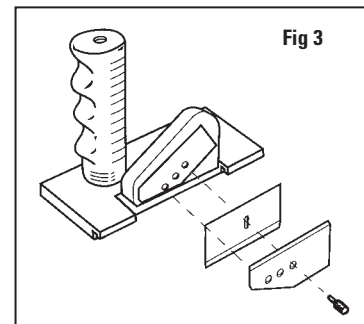
1. Remove the Blade Knob from the front of the bevel cutter. Remove one blade from the package of five.  
*NOTE: Because the blades are packed with a small amount of oil, they may stick together. Be certain that only one blade is being inserted into the blade slot.*
2. Slide the blade down the **FRONT** of the Blade Holder (sharp side down) until the bottom right corner of the blade enters the blade slot and the hole in the blade lines up with the hole in the Blade Holder. **Fig 2**
3. Replace the Blade Knob and retighten.



### B. Blade Installation

#### 701 Straight Cutting Head

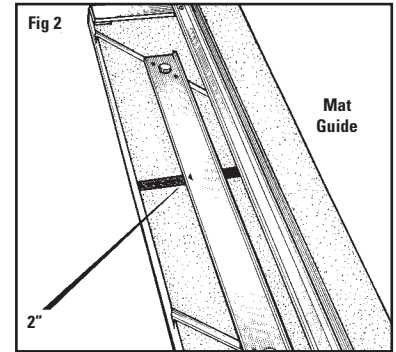
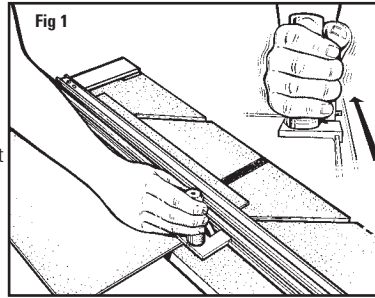
1. Remove the Blade Screw and the Blade Cover from the Blade Holder. Place one #270 blade, sharp edge down, in the slot on the Blade Holder and line up the hole in the blade with the desired depth setting. Replace the Blade Cover and Blade Screw. **Fig. 3**  
*NOTE: Always have the three holes on the Blade Cover lined up exactly with the three holes on the Blade Holder before replacing the Blade Screw.*
- Depth Settings:**  
The top hole is for safely storing a blade on the cutter when not in use, the middle hole is for standard thickness matboard and the lower hole is for 3/16" (0.476cm) foamboard.



## OPERATION

### A. Straight Cutting a Board to Size

1. Remove the Mat Guide and Slip Sheet before straight cutting.
2. Use a ruler, T-Square or similar device to mark the dimensions of the board to be straight cut.
3. Mark the lines on the back, pull up slightly on the Guide Rail, and slide the mat color side down underneath the Guide Rail, aligning the marked line with the right edge of the Guide Rail.
4. Hook the Straight Cutting Head onto the Guide Rail past the end of the board to be cut. Grasp the handle as shown in the picture and pull the Straight Cutting head towards you. Keep constant downward pressure on the Straight Cutting Head and the Guide Rail as you make your cut. **Fig. 1**



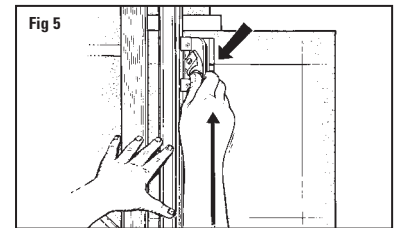
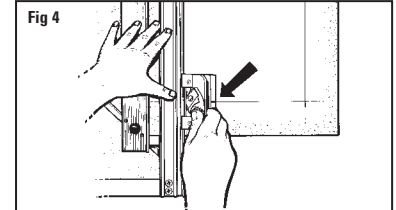
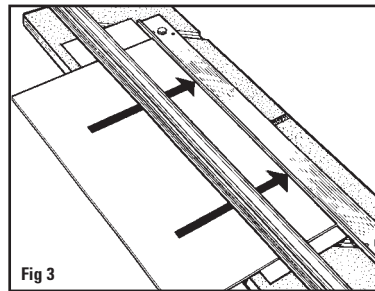
**CAUTION: Be careful to control the Straight Cutting Head as it breaks through the end of the matboard, as it will tend to "jump" towards you.**

**NOTE: Matboard wider than 29 1/2" (74.93cm) will not fit between the hinges and must be cut by some other means such as Model 500 mat knife or utility knife with a T-square.**

### B. Cutting a Beveled Opening

**EXAMPLE: Cutting a mat with a 2" (5.08cm) border.**

1. To re-install the Mat Guide, loosen the Black Knobs three turns and with the raised edge towards the Guide Rail, line up the Mat Guide with the parallel slots. Hold the Mat Guide at either end and evenly drop the Mat Guide into the slots and then tighten the black knobs.
2. Set the Mat Guide to the desired border width. For example, for a 2" (5.08cm) border, align the back of the Mat Guide at the 2" (5.08cm) mark and tighten the Black Knobs. **Fig. 2**
3. Make sure the Slip Sheet is in place before bevel cutting. You must use a Slip Sheet. The straight cut slot underneath the Guide Rail is for straight cutting only.
4. Place the mat color side down under the Guide Rail, against the Mat Guide. **Fig. 3**
5. Using a pencil, draw a line down the full length of the back of the matboard. Turn the mat after each marking and repeat this for the remaining three sides.
6. Hook the 302 Bevel Cutter onto the Guide Rail by fitting the black Nylon Guides over the raised edge of the channel.
7. Position the cutter so that the Start and Stop Indicator line lines up with the marked line closest to the bottom of the machine.
8. Use your thumb to firmly depress the Blade Holder all the way down to insert the blade. **Fig. 4**
9. With your left hand putting pressure down on the Guide Rail, slide the Bevel Cutter forward until the Start and Stop indicator lines up with the top pencil line. **Do not go past the line! Fig. 5**



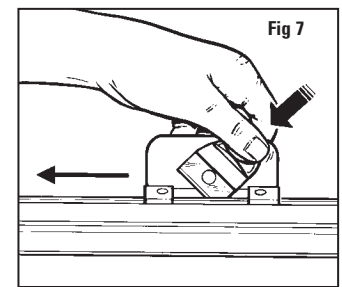
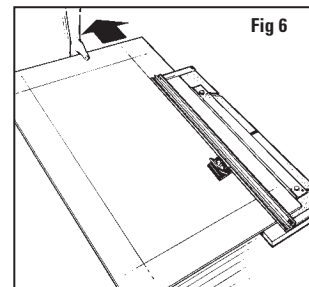
**NOTE: It is essential to keep even downward pressure on the Blade Holder as you cut.**

10. Use your thumb to pop the Blade Holder back out of the matboard, lift the Guide Rail slightly to turn the mat 1/4 turn and continue cutting the remaining three sides.

### C. Cutting a Beveled Opening in Mats Longer Than 32" (81.28cm)

Follow steps 2 - 9

**Note: Use a slip sheet as long as the mat you wish to cut. While cutting, as you reach the end of the Guide Rail, leave the cutting head in place and do not retract the blade. Grasp the bottom edge of the matboard and slip sheet and slide the material towards you until you can finish your cut. Fig. 6**



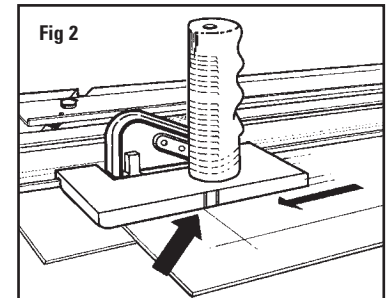
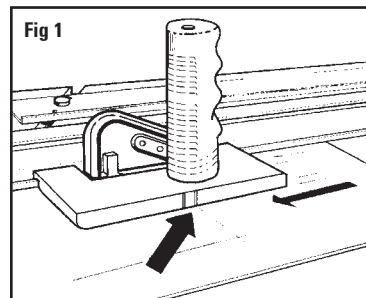
### D. Cutting a Beveled Opening Left Handed

1. Follow steps 2 through 5 in Cutting a Beveled Opening.
2. Position yourself at the end of the machine so the Mat Guide is on your right.
3. Place your left hand on the retractable Blade Holder with your thumb on the pivot. Line up the Start and Stop Indicator with the far pencil line, insert the blade and pull the Bevel Cutter towards you with your left hand. **Fig. 7**

### E. Cutting a Straight Opening

**Example: Cutting a mat with a 2" (5.08cm) border**

1. Set the Mat Guide to the 2" (5.08cm) mark on the scale and retighten the Black Knobs.
2. Place the mat to be cut into the machine colored side down with the Slip Sheet underneath and lower the Guide Rail.
3. Using a pencil, mark a line along the full length of the matboard using the Guide Rail as a guide. Repeat this for remaining three sides.
4. Using the Straight Cutting Head, align the top scribe line with the top border line and press down on the handle until the cutting head sits flat on the matboard and over the Nylon Guides. **Fig. 1**
5. Pull the Straight Cutting Head until the bottom scribe line lines up with the bottom border line. Repeat until all borders are cut. **Fig. 2**



## ADJUSTMENTS & MAINTENANCE

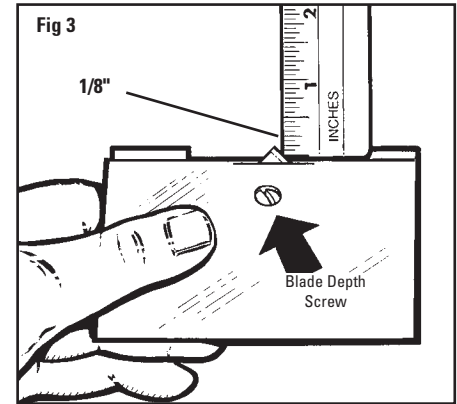
### A. Blade Depth Adjustment - Bevel Cutting Head

**Tools Needed: Screwdriver, Ruler**

1. Hold the 302 Bevel Cutter upside down in your hand with the blade activated in the cutting position.
2. Looking at the tip of the blade, measure the exposed amount with a ruler at the same angle as the blade. For standard thickness mat board (4 ply) only 1/8" (0.3175cm) of blade should be seen. To adjust, find the screw head recessed below the bottom of the surface of the cutting head near where the blade is coming out.

**Fig. 3**

3. Turning the screw to the right (clockwise) will decrease the blade depth, the left (counterclockwise) will increase the blade depth. Not all matboard requires 1/8" (0.3175cm). Thicker matboard will require more. Always have the blade depth set so that the Slip Sheet is scored only slightly. Cutting even half way through the Slip Sheet is entirely too much blade depth. This extra blade depth allows the blade tip to flex and cause hooks and curves in the cut. Extra blade depth can also cause the Start and Stop indicator to be incorrect which results in overcuts. This test and adjustment needs to be done periodically as the depth can increase itself over time with regular use.



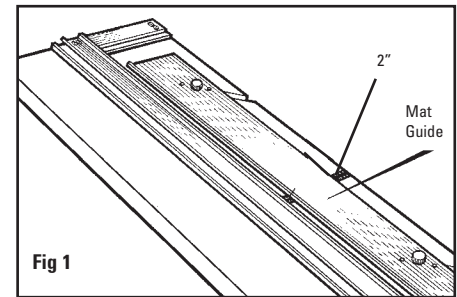
### B. Re-Parallel The Mat Guide

**TOOLS NEEDED: Phillips Screwdriver, Ruler.**

To re-parallel the Mat Guide, first determine that the Mat Guide is out of parallel by doing a parallel test.

#### Parallel Test:

1. Lock the Mat Guide at the 2" (5.08cm) mark on the scale. **Fig. 1**
2. Place a scrap piece of matboard under the Guide Rail and up against the Mat Guide at the far end of the machine.
3. Using a pencil, mark a line across the matboard.
4. Slide the mat all the way down near where you are standing keeping under the Guide Rail and up against the Mat Guide.
5. Mark another line across the matboard.
6. The piece of matboard should now appear to only have one single line across it. If the two lines drawn do not line up with each other, the Mat Guide needs to be re-parallelled.



## TROUBLE SHOOTING

### Problem

Hooks or Curves

### Solution

- Use authentic Logan blades only.
- Blade depth set too deep. (see page 3)
- Blade is dull.
- Blade is catching on previous cut in Slip Sheet. (see page 2)
- Uneven pressure being applied to Cutting Head during cut. (see page 2)

Overcut on Top Cut

- Blade depth set too deep. (see page 3)

Overcut on Bottom Cut

- If too small - align Start and Stop Indicator slightly below pencil line and cut.
- If too big - align Start and Stop Indicator slightly above pencil line and cut.

Mat Borders Uneven

- Mat Guide not parallel (see page 3)

Ragged Bevel Cut

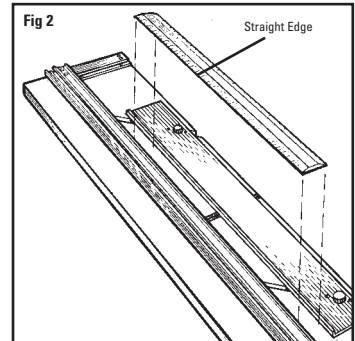
- Cutting without a Slip Sheet. (see page 2)
- Slip Sheet is worn out. (see page 2)
- Not changing the blade often enough.

Not Cutting Through

- Machine not on a level surface (see page 1)
- Not using a Slip Sheet at least as long as the mat you are cutting. (see page 2)
- Slip Sheet not as wide as Guide Rail.
- Blade depth set to shallow. (see page 3)

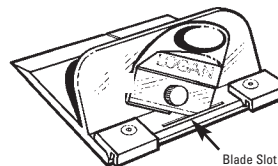
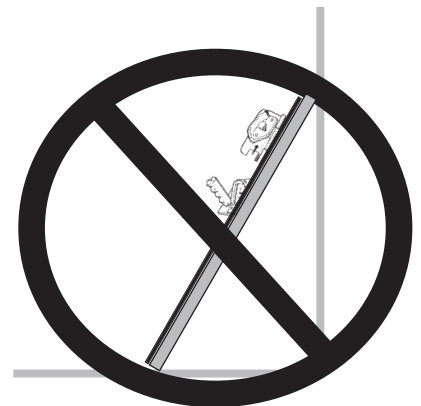
### To Re-parallel:

1. Release the Mat Guide.
2. Use a Phillips head screwdriver to loosen the four screws on either side of the black knobs one turn.
3. Place a ruler or straight edge between the Mat Guide and the Guide Rail. **Fig. 2**
4. Slide the Mat Guide against the straight edge and the Guide Rail. Make sure both the Mat Guide and the Guide Rail are making solid contact on both sides of the straight edge.
5. Re-tighten the Black Knobs first.
6. Then re-tighten the four screws. Do another parallel test to ensure that the Mat Guide is now parallel.

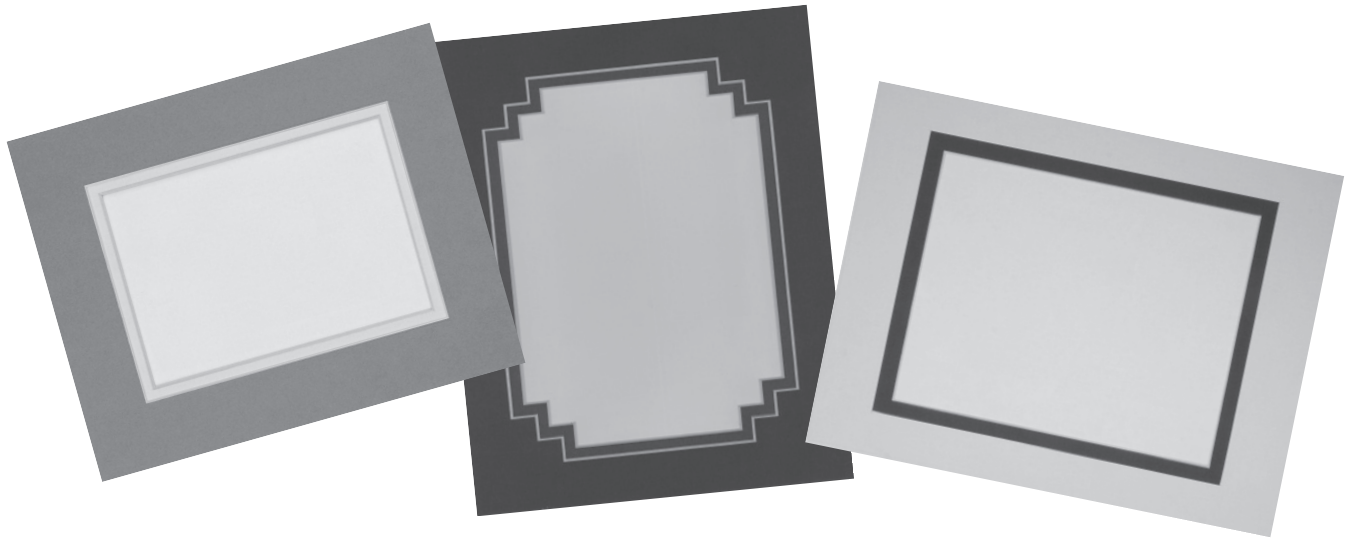


### C. Helpful Hints

1. Always store your Compact Mat Cutter flat. Never stand the Mat Cutter up against a wall for any period of time. This can cause the Mat Cutter base to bow.
2. If you need to clean the Guide Rail, only use an evaporating solvent (lighter fluid, alcohol) that will leave no residue. Do not lubricate the Guide Rail as the substance will soften the Nylon Guides causing them to bind on the Guide Rail.
3. When replacing the blade, be sure to insert blade tip through the blade slot (see diagram below). Failure to insert blade correctly will result in inaccurate cuts, damaged matboard and broken blades.



# CREATIVE MATTING GUIDE



Detailed Instructions on how to cut more creative style mats, including:

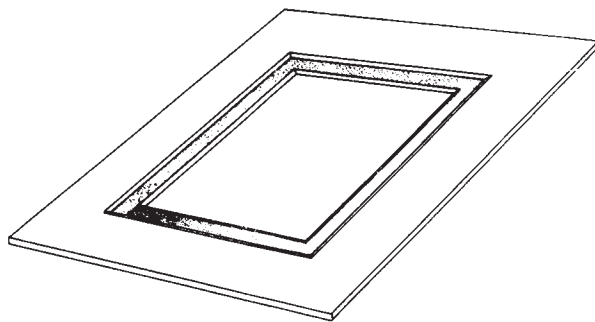
- The Double Mat • The Off-set Corner Mat • The Inlay Mat

*Instructions détaillées sur la coupe de passe-partout de style plus créatifs.*

*Instrucciones detalladas en cómo cortar láminas perimétricas de estilo más creativas.*

*Detallierte Anleitungen zum Schneiden kreativer Passepartouts.*

*Istruzioni dettagliate su come realizzare passepartout più fantasiosi.*



Double Mat

*Passe-partout à Double Rectangle*

## DOUBLE RECTANGLE MAT

(Example 8' x 10" (20.3cm x 25.4cm) mat with 3 1/2" x 5 1/2" (8.89cm x 13.97cm) opening)

**Step 1:** Set the Mat Guide to 2" (5.08cm) and cut an opening in the mat from the BACK.

**Step 2:** Keeping the fallout piece in place, run double sided tape around the back of the window border. Do not put tape on cut line. Also put a small swatch of tape in the center of the fallout.

**Step 3:** Straight cut a second piece of matboard of a different color to an outside dimension 7 1/2" x 9 1/2" (19.05 x 24.13cm).

**Step 4:** Affix the second mat FACE DOWN to the taped back of the first mat being sure it is centered reasonably well.

**Step 5:** Set the Mat Guide to 2 1/4" (6.1cm) and cut the second opening. The double fallout will drop from the window and the mat will be finished and perfectly aligned. NOTE: Triple mats can be achieved by repeating the above procedures again.

## PASSE-PARTOUT À DOUBLE RECTANGLE

Exemple: 20.3cm x 25.4cm avec ouverture de 8.89cm x 13.97cm

**Étape 1** Réglez le guide de passe-partout longitudinal à 5.08cm et coupez une ouverture dans le passe-partout depuis le VERSO.

**Étape 2** En gardant la chute en place, appliquez un ruban adhésif à double face autour du verso de la bordure de la fenêtre. N'appliquez pas de ruban adhésif sur la ligne de découpe. Appliquez un petit morceau de bande adhésive au centre de la chute.

**Étape 3** Coupez un deuxième morceau de passe-partout de la couleur souhaitée à une dimension extérieure de 19.05 x 24.13cm.

**Étape 4** Apposez le deuxième passe-partout FACE VERS LE BAS sur le recto adhésif du premier passe-partout en s'assurant qu'il est relativement bien centré.

**Étape 5** Réglez le guide de passe-partout longitudinal à 6.1cm et coupez la deuxième ouverture. La double chute tombe de la fenêtre et le passe-partout est terminé est parfaitement aligné. REMARQUE: Des passe-partout triples peuvent être obtenus en répétant la procédure ci-dessus.

### OFF-SET CORNER MAT

[EXAMPLE: 8" x 10" (20.3cm x 25.4cm) with 5" x 7" (17.8cm x 12.7cm) opening]

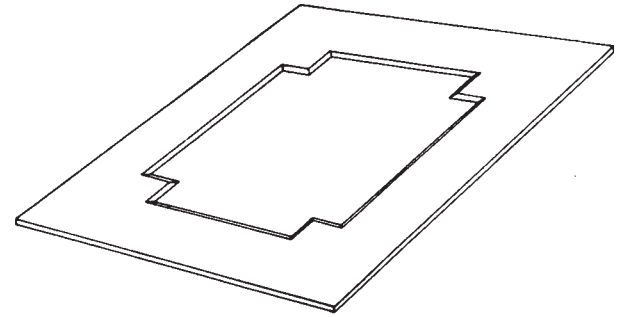
**Step 1:** Set the mat guide at 2" (5.08cm) and draw all four lines.

**Step 2:** Reset the Mat Guide at 1 1/2" (3.81cm) and draw another set of lines.

**Step 3:** Leaving the Mat Guide at 1 1/2" (3.81cm), place the mat in the cutter, put on the Bevel Cutting Head and line up the silver Start and Stop Indicator with the bottom pencil line closest to center of the mat. Cut until the silver indicator lines up with the top pencil line closest to the center of the mat. Using the same procedure, cut all four sides. **IMPORTANT:** At this point the fallout will not drop from the window. Continue.

**Step 4:** Remove the mat and reset the Mat Guide to 2" (5.08cm). Reinsert the mat.

**Step 5:** Line up the silver indicator line on the Bevel Cutting Head with the drawn pencil line furthest from the center of the mat. Cut until the silver indicator line lines up with the line at the top of the mat furthest from the center of the mat. Using the same procedure, cut all four sides. **NOTE:** Be careful to hold the fallout piece in place as you turn the mat for the last cut.



Off-Set Corner Mat

*Passe-partout à Angles Decales*

### PASSE PARTOUT À ANGLES DÉCALÉS

Exemple : 20.3cm x 25.4cm avec ouverture de 17.8cm x 12.7cm

**Étape 1** Réglez le guide de passe-partout longitudinal à 5.08cm et tracez les quatre lignes.

**Étape 2** Réglez de nouveau le guide de passe-partout longitudinal à 3.81cm et tracez une autre série de traits.

**Étape 3** En laissant le guide de passe-partout à 3.81cm, placez le passe-partout dans le couteau, installez la tête de découpe en biseau et alignez la ligne argentée du repère avec la ligne au crayon inférieure la plus proche du centre du passe-partout. Coupez jusqu'à ce que les lignes argentées du repère s'alignent avec la ligne au crayon supérieure la plus proche du centre du passe-partout. En suivant la même procédure, découpez les quatre côtés. **IMPORTANT :** À ce stade la tombée ne se détachera pas de la découpe.

**Étape 4** Retirez le passe-partout et réglez-le de nouveau à 5.08cm. Insérez à nouveau le passe-partout.

**Étape 5** Alignez la ligne argentée du repère de la tête de découpe en biseau avec la ligne au crayon la plus éloignée du centre du passe-partout. Découpez jusqu'à ce que les lignes argentées du repère s'alignent avec la ligne au crayon supérieure la plus éloignée du centre du passe-partout. En suivant la même procédure, découpez les quatre côtés.

**REMARQUE :** Faire attention de maintenir la chute en place en pivotant le passe-partout pour la dernière coupe.

### Inlay Mat

Exemple 8" x 10" (20.3cm x 25.4cm) mat with 4 x 6" (17.8cm x 12.7cm) opening.

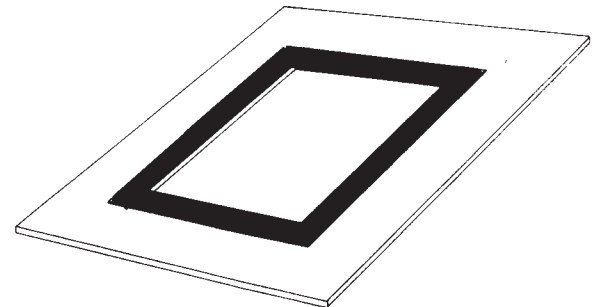
**Step 1:** Set the Mat Guide at 2" (5.08cm) and cut as per regular instructions.

**Step 2:** Reset the Mat Guide at 1 1/2" (3.81cm). Keeping the fallout in place, cut the mat again as per regular instructions. You may keep the fallout piece in place by taping it on the back.

**Step 3:** Discard the outer border piece and fallout. Retain the inside border cutout.

**Step 4:** Leaving the Mat Guide in place at 1 1/2" (3.81cm), cut a second mat of a different color as per regular procedures. **IMPORTANT:** The second mat must be of the exact same outside dimension as the first mat.

**Step 5:** Remove the fallout piece from the second mat and place the inside border cutout from the first mat in the window opening from the second mat. The two pieces should fit together like a puzzle creating a flush surface across the front of the mat. Put tape on back to hold it in place.



Inlay Corner Mat

*Passe-partout encastré*

### Passe-partout encastré

Exemple : 20.3cm x 25.4cm avec ouverture de 17.8cm x 12.7cm

**Étape 1** Réglez le guide de passe-partout longitudinal à 5.08cm et découpez-le selon les instructions habituelles.

**Étape 2** Réglez de nouveau le guide de passe-partout à 3.81cm. En gardant la chute en place, coupez à nouveau le passe-partout selon les instructions habituelles. La chute peut être maintenue en place en la collant au verso au moyen d'un ruban adhésif.

**Étape 3** Mettez au rebut le morceau extérieur de la bordure et la chute. Conservez la découpe de la bordure intérieure.

**Étape 4** En laissant le guide de passe-partout longitudinal en place à 3.81cm, découpez un deuxième passe-partout d'une couleur différente selon les procédures habituelles. **IMPORTANT :** Le deuxième passe-partout doit avoir la même dimension extérieure que le premier passe-partout.

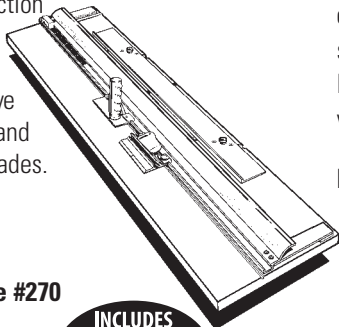
**Étape 5** Retirez la chute du deuxième passe-partout et placez la découpe de la bordure intérieure du premier passe-partout dans l'ouverture de la fenêtre du deuxième passe-partout. Les deux morceaux doivent s'ajuster comme les pièces d'un puzzle en créant une surface lisse à travers le recto du passe-partout. Fixez les pièces en place en apposant du ruban adhésif au dos.

## MORE GREAT LOGAN PRODUCTS...

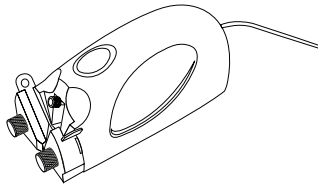
Go to [www.logangraphic.com](http://www.logangraphic.com)  
to see all Logan products in more detail!

### 450 INTERMEDIATE +

40" (101cm) Board mounted mat cutting system with parallel mat guide, improved 90 degree squaring bar, colored board surface, improved guide rail with production stop and straight and bevel cutting heads. Includes creative matting instructions and includes five extra blades. Plus FREE set up and instruction DVD.



#### Replacement Blade #270



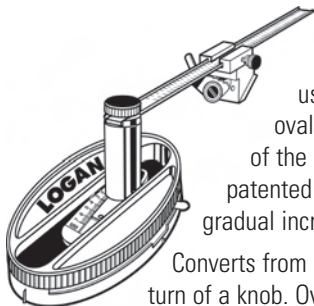
### GROOVY MOUSE™ V-GROOVER

- Cuts V-grooves into mat board.
- Use with straight edge or freehand.
- Blade storage area on underside.

#### Goovy Mouse V-Groover - Model 707

#### Replacement Blade Kit - Model 326

### 3-STEP OVAL & CIRCLE MAT CUTTER



3-Step Oval and Circle Mat Cutter is easy to use, fast and portable. Cuts ovals or circles on the surface of the matboard using a patented 3-step mechanism for gradual increase of blade depth.

Converts from oval to circle cutter with a turn of a knob. Ovals from 3 1/4" x 4 3/4" to 20" x 23" (8x12cm to 50x58cm). Circles from 4 1/2" to 20" (11cm to 50cm).

#### 3-Step Oval & Circle Mat Cutter - Model 201

#### Replacement Blade #324

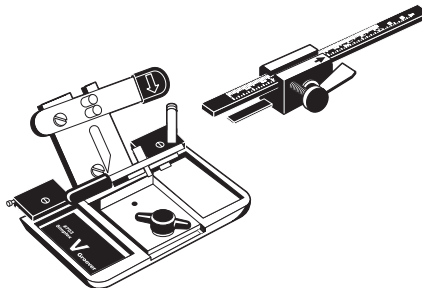
### 750 SIMPLEX PLUS

40" (101cm) base board with laminate surface, hinged guide rail with scaled production stops, mat guide in aluminum channels, 27" (69cm) squaring arm plus straight and bevel cutting heads. Free set up DVD included. Also available in 60" (152cm) version as model #760.

#### Replacement Blade #270



### ARTIST'S V-GROOVER AND COMPACT V-GROOVER ADAPTER



Artist's V-Groover offers a way to cut surface V-Grooves quickly and accurately with zero overcuts.

Push-Pull action cuts V-Grooves right on the surface of the matboard eliminating any need for trimming or taping. Works entirely with stops. Can also work on Compact mat cutter by adding the #303 Compact V-Groove Adapter.

#### Artist's V-Groover - Model 703

#### Compact V-Groover Adapter - Model 303

#### Replacement Blade #1258

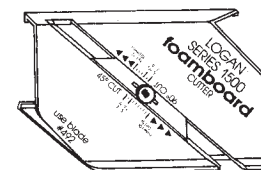
### 650 FRAMER'S EDGE

40" (101cm) board cutter with laminate surface, hinged guide rail with scaled production stop, movable head production stop, mat guide in aluminum channels, 27" (69cm) and 9" (23cm) squaring arms, plus dual purpose straight and bevel cutting head. Free set up DVD included. Also available in 48" (122cm) version as model #655. 60" (152cm) version is model #660.

#### Replacement Blade #269 8-ply Blade #268



### FOAMBOARD CUTTER



Push style fixed blade cutter can be used against any suitable straight edge. Reversible, it cuts 90° or 45° bevel with an adjustable blade to a foamboard thickness of 1/8" (3mm), 3/16" (5mm) and 3/8" (10mm).

#### Foamboard Cutter - Model 1500

#### Replacement Blade #492



# COMPACT MAT CUTTER

MODEL 301-S

MORE GREAT LOGAN PRODUCTS...



## 4-WAY STYLUS

This innovative stylus has a comfort grip, anti-roll barrel and four interchangeable tips. Choose small, medium and large embossing tips or a scribe point for pergamano or scratchboard. Extra tips store inside the barrel. Use with Art

Deckle tools or other embossing templates for unique paper designs.

### 4-Way Stylus - Model A1303



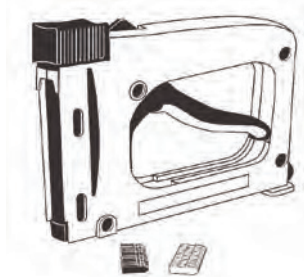
## ARTISTS COLLECTION KIT

A perfect set of tools for artists and photographers wanting to add that extra accent of design into the edges of watercolor paper, photographs or practically any type of paper.

Kit includes:

- 18" (45.72cm) Bold Edge Art Deckle
- 12" (30.48cm) Medium Edge Art Deckle
- 6" (15.24cm) Fine Edge Art Deckle
- Medium Stylus
- Small Stylus

### Artists Collection Kit - Model A1170



## DUAL-DRIVE POINT DRIVER

Secure artwork, backing board and glass into hard or soft wood frames. Spring-loaded action drives both rigid and flexible points. For successful operation, use only authentic Logan points.

### Dual-Drive Point Driver - Model F500-1

Replacement Points:

**F53 - Flex Point Strip 600 pcs.**

**F54 - Rigid Point Strip 600 pcs.**

**F55 - Flex Point Strip 2500 pcs.**

**F56 - Rigid Point Strip 2500 pcs.**



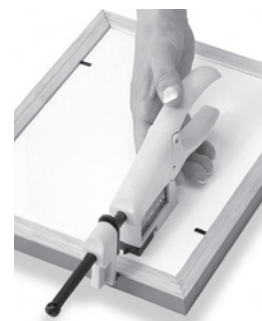
## PAPER CRAFTERS KIT

Everything the amateur paper crafter needs to deckle and emboss designs into all types of paper including scrapbook pages.

Kit includes:

- 12" (30.48cm) Medium Edge Art Deckle
- 6" (15.24cm) Fine Edge Art Deckle
- Medium Stylus
- Three Mylar Embossing Templates with infinite creative design combinations

### Paper Crafters Kit - Model A1170



## FITTING TOOL

Unique patent pending rotating head design drives and removes four different inserts, including multipoint, rigid, flex & brad nail.

- No slipping or bending
- Drives inserts into moulding up to 2 1/2" (6.35cm)
- Can be used on hard or soft wood

### Fitting Tool - Model F400-1

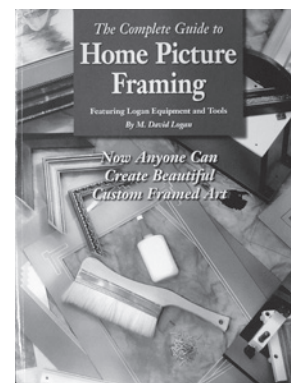
Replacement Inserts:

**F9 - Multipoint Insert 400 pcs.**

**F10 - Rigid Insert 400 pcs.**

**F11 - Flexible Insert 400 pcs.**

**F12 - Brad Nails 300 pcs.**

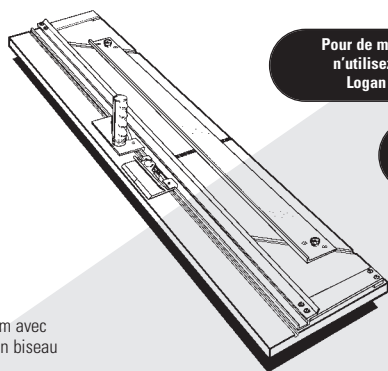


## HOME PICTURE FRAMING

Complete and detailed directions featuring Logan's picture framing tools system. Learn inside secrets from professional framers for creating your own custom framed art. 92 pages.

### Home Picture Framing - Model F245





Pour de meilleurs résultats  
n'utilisez que les lames  
Logan authentiques

Para mejores resultados  
utilice solamente las  
cuchillas auténticas de Logan

Für optimale Schneidergebnisse  
Verwendung von Logan-  
Originalklingen empfohlen

Per ottenere i migliori risultati  
usare solamente lame Logan  
originali

**FR**

### MODE D'EMPLOI

Couteau à passe partout de 81.28cm avec  
têtes de découpe à angle droit et en biseau

### INTRODUCTION

Nous vous félicitons d'avoir acheté le couteau à passe-partout Compact de Logan. Cet outil polyvalent et fiable s'avérera un instrument utile à quiconque souhaite obtenir des résultats professionnels avec un couteau à passe-partout facile d'emploi et économique. Ce mode d'emploi vise à familiariser complètement l'utilisateur avec ce produit. Veuillez lire soigneusement ce document avant de procéder à la découpe d'un projet. Vous verrez que le temps que vous aurez passé ne sera pas perdu, et que vous serez ensuite rapidement en mesure de découper des passe-partout de qualité.

### TABLE DES MATIÈRES:

Vérification du contenu	1
Identification des composants de l'appareil	1
Surface de travail/orientation	2
Installation des lames	2
Utilisation	
A. Découpe à angle droit d'une feuille à passe-partout à la dimension voulue	3
B. Découpe d'une ouverture en biseau	3
C. Découpe d'une ouverture dans une feuille à passe-partout d'une longueur supérieure à 81,28 cm	4
D. Découpe d'une ouverture en biseau à gauche	4
E. Découpe d'une ouverture à angle droit	5
Réglages et entretien	
A. Réglage de la hauteur de positionnement de la lame	5
B. Repositionnement longitudinal du guide de passe-partout	6
Problèmes et solutions	7

**D**

### BEDIENUNGSANLEITUNG

81.28cm Passepartoutschneider mit geraden und Winkelschneideköpfen

### EINFÜHRUNG:

Wir gratulieren Ihnen zum Kauf Ihres Logan-Compact Mat Cutter. Dieses gut durchdachte, erschwingliche Schneider liefert Profi-Ergebnisse zu einem Bruchteil der Kosten von Profigeräten. Diese Bedienungsanleitung soll Ihnen den Umgang mit dem Werkzeug erleichtern. Bitte lesen Sie sich vor dem Schneiden die Bedienungsanleitung gründlich durch. Sie werden feststellen, dass Sie dann hochqualitative Passepartouts im Handumdrehen zuschneiden können.

### INHALTSVERZEICHNIS:

Prüfung des Inhalts	1
Geräteteile	1
Arbeitsoberfläche/Einweisung	2
Einlegen der Klinge	2
Bedienung	
A. Gerades Zuschneiden eines Passepartouts	3
B. Schneiden einer winkligen Öffnung	3
C. Schneiden einer Öffnung in einem Passepartout, das länger als 80 cm ist	4
D. Schneiden einer winkligen Öffnung mit der linken Hand	4
E. Schneiden einer geraden Öffnung	5
Einstellungen & Wartung	
A. Einstellen der Klingentiefe	5
B. Erneutes Parallelsieren der Passepartout-Führung	6
Fehlerbehebung	7

**ESP**

### MANUAL DE INSTRUCCIÓN Y OPERACIÓN

Sistema de corte de Lámina Perimétrica de 81.28cm con cabezales de corte recto y biselado

### INTRODUCCIÓN

Felicitaciones por su compra del Cortador Compacto de Lámina Perimétrica de Logan. Esta herramienta versátil y confiable demostrará ser un dispositivo útil para aquellos que buscan resultados profesionales de un cortador de lámina perimétrica de bajo costo y fácil de utilizar. Este manual de instrucción se ha escrito para familiarizarlo a fondo con este producto. Por favor tome un cierto tiempo para familiarizarse con el antes de cortar. Usted encontrará que el tiempo será una buena inversión, y estará cortando láminas perimétricas de calidad muy pronto.

### ÍNDICE DE CONTENIDO:

Comprobación del Contenido	1
Identificación de los Componentes de la Máquina	1
Superficie/Orientación de Trabajo	2
Instalación de la cuchilla	2
Operación	
A. Corte Recto de Una Plancha de Lámina Perimétrica A la Medida	3
B. Corte de una Abertura Biselada	3
C. Corte de una Abertura en un Plancha de Lámina Perimétrica Más Larga de 80 cm	4
D. Corte de una Abertura Biselada con la Mano Izquierda	4
E. Corte de una Abertura Recta	5
Ajustes Y Mantenimiento	
A. Ajuste De la Profundidad de la Cuchilla	5
B. Reponer en Paralelo la Guía de la Lámina Perimétrica	6
Solución de Fallas	7

**ITL**

### MANUALE D'USO

Sistema di taglio per passepartout 81.28cm con teste di taglio diritto e a smusso

### INTRODUZIONE

Congratulazioni per l'acquisto della vostra Taglierina per passepartout Compact Logan! Questo utensile versatile e affidabile si dimostrerà uno strumento utile per chi intende ottenere risultati professionali da una taglierina per passepartout economica e di facile uso. Il presente manuale d'uso intende fornirvi le informazioni più complete possibili riguardo a questo prodotto. Si consiglia di dedicare del tempo ad acquisire familiarità con il manuale prima di procedere con il taglio. Scoprirete che ne sarà valsa la pena quando eseguirete tagli di qualità in brevissimo tempo!

### INDICE:

Verifica del contenuto	1
Identificazione dei componenti	1
Piano di lavoro/orientamento	2
Installazione della lama	2
Impiego	
A. Taglio diritto a misura di un cartoncino	3
B. Taglio di un'apertura a smusso	3
C. Taglio di un'apertura in un cartoncino di lunghezza superiore a 80 cm	4
D. Taglio di un'apertura a smusso con la mano sinistra	4
E. Taglio di un'apertura diretta	5
Regolazioni e manutenzione	
A. Regolazione della profondità della lama	5
B. Ripristinare il parallelismo della guida del passepartout	6
Localizzazione guasti	7

**FR VÉRIFICATION DU CONTENU**

Couteau à passe-partout 301-S Compact — support de découpe de 81.28cm avec guide de passe-partout longitudinal, têtes de découpe à angle droit et en biseau, feuille doublure et 1 paquet de cinq lames Logan n° 270.

**ESP COMPROBACIÓN DEL CONTENIDO**

301-S Compact — Tablero base de 81.28cm con Guía de la Lámina Perimétrica, Cabezales de corte recto y biselado, Hoja de Respaldo y 1 paquete de cinco cuchillas Logan #270.

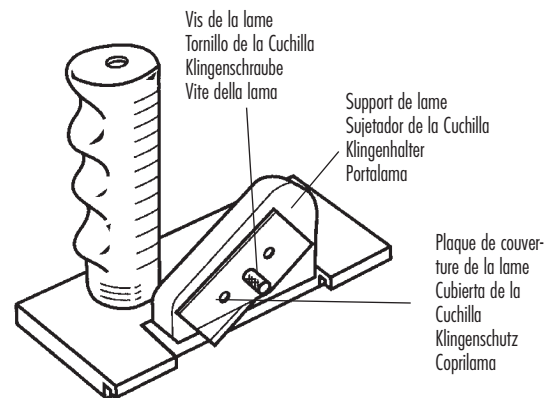
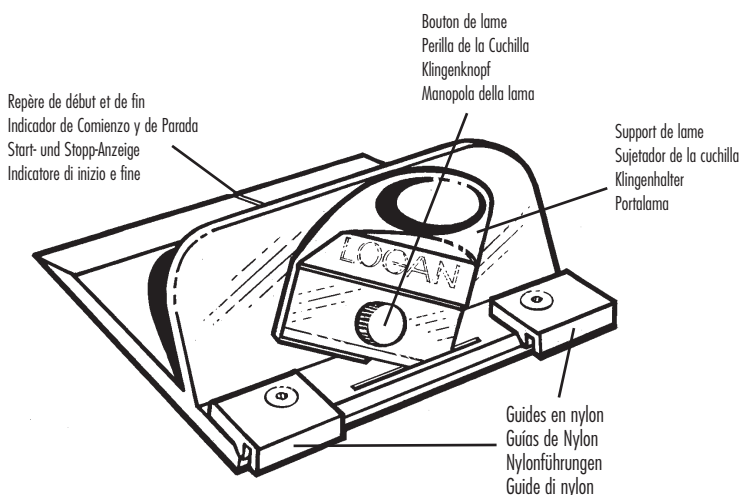
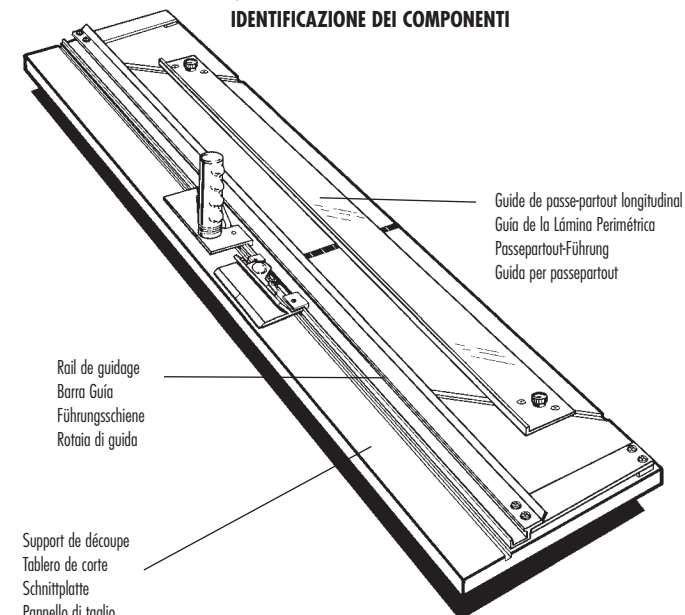
**D PRÜFUNG DES INHALTS**

301-S Compact — 81.28 cm lange Grundplatte mit Passepartout-Führung, Gerade und Winkelschneideköpfe, Unterlegkarton und Ser Pack Logan #270 Klingen.

**ITL VERIFICA DEL CONTENUTO**

301-S Compact — Pannello di base 81.28cm con guida per passepartout, teste di taglio diritto e a smusso, foglio di rinforzo e una confezione da cinque lame Logan #270.

**IDENTIFICATION DES COMPOSANTS DE L'APPAREIL  
IDENTIFICACIÓN DE LOS COMPONENTES DE LA MÁQUINA  
GERÄTETEILE  
IDENTIFICAZIONE DEI COMPONENTI**



**Tête de découpe en biseau**

Repère de début et de fin — ligne indiquant où commencer et où arrêter la découpe.

Bouton de lame — maintient la lame en place pour la découpe.

Support de lame — dispositif de maintien de lame coulissant permettant à la lame de découper le passe-partout.

Guides en nylon — guides permettant à la tête de découpe en biseau de s'accrocher sur le rail de guidage.

**Cabezal Del Corte Biselado**

Indicador de Comienzo y de Parada — Línea que muestra donde comenzar y terminar el corte.

Perilla de la Cuchilla — Retiene la cuchilla en su lugar para el corte

Sujetador de la cuchilla — Dispositivo sostenedor de la cuchilla que se desliza permitiendo a la cuchilla cortar la lámina perimétrica.

Guías de Nylon — Guías que permiten al Cabezal de Corte Biselado engancharse sobre el Carril de Guía.

**Winkelschneidekopf**

Start- und Stopp-Anzeige-Linie, die zeigt, wo der Schnitt anfängt und wo er aufhört.

Klingenkopf — Hält die Klinge zum Schnitt fest.

Block, der die Klinge beim Schneiden festhält. Drei unterschiedliche Tiefeneinstellungen.

Nylonführungen — Führungen, mit denen sich der Winkelschneidekopf in die Führungsschiene einhaken kann.

**Testa per tagli a smusso**

Indicatore di inizio e fine — Linea che mostra dove iniziare e dove terminare il taglio.

Manopola della lama — Tiene la lama in posizione per il taglio

Dispositivo portalama scorrevole che consente alla lama di tagliare il passepartout.

Guide di nylon — Guide che consentono alla testa per tagli a smusso di agganciarsi alla rotaia di guida.

**Support de découpe**

Rail de guidage — sert à guider les têtes de découpe pendant la découpe.

Guide de passe-partout longitudinal — sert à régler la largeur de la bordure d'un passe-partout et maintenir le passe-partout en position.

Support de découpe — support de l'appareil à revêtement de vinyle.

**Schnittplatte**

Führungsschiene- Zur Führung der Schneideköpfe beim Schnitt.

Passepartout-Führung- Bestimmung der Randbreite eines Passepartouts und Festhalten des Passepartouts.

Schnittplatte- Vinyl-bezogene Grundplatte der Maschine.

**Tablero de Corte**

Barra Guía — Utilizada para guiar los cabezales de corte mientras están en uso.

Guía de la Lámina Perimétrica - Utilizada para ajustar la anchura de la franja de lámina perimétrica y para mantener la lámina perimétrica en posición.

Tablero de corte - tablero base de la máquina, cubierto de vinilo.

**Pannello di taglio**

Rotaia di guida — Per guidare le teste di taglio durante l'uso.

Guida per passepartout — Per definire la larghezza del bordo di un passepartout e tenere quest'ultimo in posizione.

Pannello di taglio — Pannello di base dell'attrezzo rivestito in vinile.

**Tête de découpe à angle droit**

Support de lame — bloc maintenant la lame en place lors de la découpe. Offre trois réglages de hauteur différents.

Plaque de couverture de la lame — recouvre la lame sur le support de lame.

Vis de la lame — maintient la lame en place dans le support de lame.

**Cabezal de Corte Recto**

Sujetador de la Cuchilla - Bloque que retiene la cuchilla en su lugar mientras corta. Tiene tres ajustes separados de profundidad.

Cubierta de la Cuchilla — Cubre la cuchilla sobre el Sujetador de la Cuchilla.

Tornillo de la Cuchilla - Retiene la cuchilla en su lugar dentro del Sujetador de la Cuchilla.

**Gerader Schneidekopf**

Klingenthaler — Block, der die Klinge beim Schneiden festhält. Drei unterschiedliche Tiefeneinstellungen.

Klingenschutz — Schutz der Klinge auf dem Klingenthaler.

Klingenschraube — Hält die Klinge im Klingenthaler fest.

**Testa per tagli dritti**

Portalama — Blocchetto che tiene ferma la lama durante il taglio. Consente tre regolazioni distinte di profondità.

Coprilama — Copre la lama sul portalama.

Vite della lama — Tiene ferma la lama nel portalama.

**ORIENTATION DE LA SURFACE DE TRAVAIL**

La surface de travail où le couteau à passe-partout Compact est placé DOIT ÊTRE PLATE, lisse et solide. Toute ondulation ou irrégularité de la surface de travail peut provoquer la courbure du support de découpe, ce qui peut entraîner des coupes incurvées. La procédure détaillée dans les instructions suivantes se réfère aux côtés droit et gauche et au haut et au bas de l'appareil tels qu'illustrés. **Fig 1.**

**SUPERFICIE/ORIENTACIÓN DE TRABAJO**

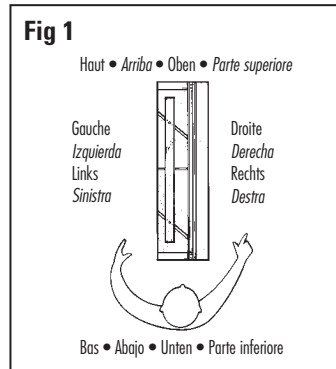
La superficie de trabajo donde usted pondrá su Compacto DEBE SER PLANA, lisa y resistente. Cualquier ondulación o inconsistencia en la superficie de trabajo puede causar que el tablero de corte se arquee lo que puede dar lugar a curvas en su corte. El procedimiento detallado en las instrucciones siguientes se refiere al lado derecho y e izquierdo y a la parte alta y la parte baja de la máquina según lo mostrado. **Fig. 1**

**ARBEITSOBERFLÄCHE/ EINWEISUNG**

Die Arbeitsoberfläche für den Schneider Compact MUSS FLACH, eben und strapazierfähig sein. Eintiefungen oder Unbeständigkeiten in der Arbeitsoberfläche können zu einem Verbiegen der Grundplatte und somit Kurven im Schnitt führen. Das in der folgenden Anleitung beschriebene Verfahren bezieht sich auf die linke und rechte Seite, sowie den unteren und den oberen Teil der Maschine. **Abb1.**

**PIANO DI LAVORO/ ORIENTAMENTO**

Il piano di lavoro dove sistemere la vostra Compact DEVE ESSERE PIANO, liscio e robusto. Eventuali ondulazioni o irregolarità sul piano di lavoro potrebbero far piegare il pannello di taglio, producendo tagli ricurvi. La procedura descritta nelle seguenti istruzioni si riferisce al lato destro e sinistro e alla parte superiore e inferiore dell'attrezzo come illustrato. **Fig. 1**



**A. INSTALLATION DE LA LAME COUTEAU BISEAUTÉ 302**

1. Retirez le bouton de la lame de l'avant du couteau biseauté. Retirez une lame du paquet de cinq.

**REMARQUE :** Les lames étant conditionnées avec une petite quantité d'huile, elles peuvent adhérer les unes aux autres. Assurez-vous qu'une seule lame est insérée dans la fente à lame.

2. Glissez la lame vers le bas de l'AVANT du support de lame chromé (bord de découpe vers le bas) jusqu'à ce que l'angle inférieur droit de la lame entre dans la fente à lame et que le trou de la lame s'aligne avec celui du support de lame. **Fig. 2**
3. Remettez le bouton de la lame en place et resserrez-le.

**A. INSTALCIÓN DE LA CUCHILLA CORTADOR DE BISEL 302**

1. Quite la penilla de la cuchilla del frente del cortador de bisel. Saque una cuchilla del paquete de cinco.

**NOTA:** Debido a que las cuchillas se embalan con una cantidad pequeña de aceite, ellas puede quedarse pegadas. Está seguro que se está insertando solamente una cuchilla en la ranura de la cuchilla.

2. Deslice la cuchilla hacia el FRENTE del sujetador de la cuchilla cromado (lado afilado abajo) hasta que la esquina derecha de la parte baja de la cuchilla entre a la ranura de la cuchilla y el orificio en la cuchilla se alinee con el orificio en el sujetador de la cuchilla. **Fig. 2**
3. Vuelva a poner la penilla de la cuchilla y vuélvala a apretar.

**A. EINLEGEN DER KLINGE 302 WINKELSCHNEIDEKOPF**

1. Entfernen Sie den Klingenkopf an der Vorderseite des Winkelschneidekopfs. Nehmen Sie eine Klinge aus dem 5er Pack.

**HINWEIS:** Die Klengen sind mit Folie überzogen. Achten Sie darauf, dass Sie nur eine Klinge herausnehmen und in den Schlitz einstecken.

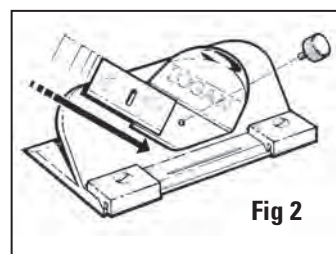
2. Schieben Sie die Klinge nach unten zur VORDERSEITE des Chrom-Klingenhalters (scharfe Seite nach unten), bis die untere rechte Ecke der Klinge im Klingenschlitz ist und das Loch in der Klinge mit dem im Klingenhalter ausgerichtet ist. **Abb 2**
3. Bringen Sie den Klingenkopf wieder an und ziehen Sie ihn fest.

**A. INSTALLAZIONE DELLA LAMA 302 TAGLIERINA PER PASSEPARTOUT A SMUSSO**

1. Rimuovere la manopola della lama dalla parte anteriore della taglierina per passepartout a smusso. Estrarre una lama dalla confezione da cinque.

**NOTA:** poiché le lame sono confezionate con una piccola quantità di olio, potrebbero unirsi. Accertarsi di inserire una sola lama nell'apposita fessura.

2. Far scorrere la lama verso il basso della PARTE ANTERIORE del portalama cromato (con il lato affilato rivolto verso il basso) finché l'angolo in basso a destra della lama non entri nell'apposita fessura e il foro della lama non si allinei con il foro del portalama. **Fig. 2**
3. Sostituire la manopola della lama e serrare nuovamente.



**B. INSTALLATION DE LA LAME TÊTE DE DÉCOUPE À ANGLE DROIT 701**

1. Retirez la vis de la lame et la plaque de couverture de la lame du support de lame. Placez une lame n° 270, le bord tranchant vers le bas, dans la fente du support de lame et alignez le trou de la lame avec le réglage de hauteur souhaité. Remettez en place la plaque de couverture de la lame et la vis de la lame. **Fig 3**

**REMARQUE :** Ayez toujours les trois trous de la plaque de couverture de la lame exactement alignés avec les trois trous du support de lame avant de remettre en place la vis de la lame.

**RÉGLAGES DE PROFONDEUR :**

Le trou supérieur est destiné à accueillir une lame sur le couteau lorsqu'il n'est pas utilisé ; le trou médian est réservé à la découpe des feuilles à passe-partout d'épaisseur standard ; le trou inférieur est réservé à la découpe des planches de mousse de 5 mm .

**B. INSTALCIÓN DE LA CUCHILLA 701 CABEZAL DE CORTE RECTO**

1. Quite el Tornillo de la Cuchilla y la Cubierta de la Cuchilla del Sujetador de la Cuchilla. Coloque una cuchilla #270, borde afilado abajo, en la ranura del Sujetador de la Cuchilla y alinee el orificio en la cuchilla con el ajuste deseado de profundidad. Reemplace la Cubierta de la Cuchilla y el Tornillo de la Cuchilla. **Fig. 3**

**NOTA:** Tenga siempre los tres orificios en la Cubierta de la Cuchilla alineados exactamente con los tres orificios en el Sujetador de la Cuchilla antes de reemplazar el Tornillo de la Cuchilla.

**AJUSTES DE LA PROFUNDIDAD:**

El orificio superior es para almacenar con seguridad una cuchilla en el cortador cuando no está en uso, el orificio medio es para una lámina perimétrica de grosor estándar y el orificio más bajo es para la lámina de espuma de 5 mm.

**B. EINLEGEN DER KLINGE 701 GERADER SCHNEIDEKOPF**

1. Entfernen Sie die Klingenschraube und den Klingenschutz aus dem Klingenhalter. Legen Sie eine #270 Klinge mit der scharfen Kante nach unten in den Schlitz auf dem Klingenhalter ein und richten Sie das Loch in der Klinge mit der gewünschten Tiefeneinstellung aus. Bringen Sie den Klingenschutz und die Klingenschraube wieder an. **Abb. 3**

**HINWEIS:** Die drei Löcher im Klingenschutz müssen immer genau mit den drei Löchern auf dem Klingenhalter abgeglichen werden, bevor die Klingenschraube wieder eingesteckt wird.

**TIEFENEINSTELLUNGEN:**

Das oberste Loch wird bei der Aufbewahrung der Klinge im Schneider verwendet, das mittlere für Standard-Passepartouts und das unterste für 5 mm dicke Schaumstoffplatten.

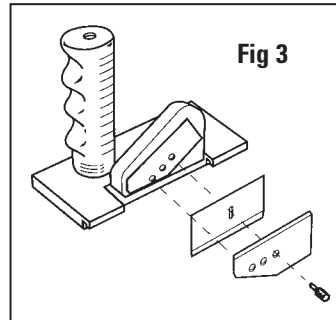
**B. INSTALLAZIONE DELLA LAMA 701 TESTA PER TAGLI DIRITTI**

1. Rimuovere la vite della lama e il copilama dal portalama. Inserire una lama #270, con il bordo affilato rivolto verso il basso, nella fessura del portalama e allineare il foro della lama con la regolazione della profondità desiderata. Sostituire il portalama e la vite della lama. **Fig. 3**

**NOTA:** prima di sostituire la vite della lama, accertarsi che i tre fori del portalama siano sempre allineati esattamente con i tre fori del portalama.

**REGOLAZIONI DI PROFONDITÀ:**

Il foro superiore serve a conservare in tutta sicurezza una lama nella taglierina quando questa non si utilizza, il foro centrale è per cartoncini di spessore standard, mentre il foro inferiore è per foambord di 5 mm.



**FR** FONCTIONNEMENT

**A. DÉCOUPE À ANGLE DROIT D'UNE FEUILLE À LA DIMENSION VOULUE**

1. Retirez le guide de passe-partout et la feuille doublure avant toute coupe à angle droit.
2. Utilisez une règle, une équerre ou un instrument similaire pour marquer les dimensions du support.
3. Marquez les lignes au dos et placez le passe-partout, côté coloré vers le bas, sous le rail de guidage en alignant la ligne marquée avec le côté droit de la barre de guidage.
4. Accrochez la tête de découpe à angle droit sur le rail de guidage au-delà de l'extrémité du support à découper. Saisir la poignée comme indiqué sur l'illustration et tirez la tête de découpe à angle droit vers soi. Maintenez une pression d'appui constante sur la tête de découpe à angle droit et le rail de guidage lors de la coupe. **Fig. 1**

**ATTENTION : Faire attention de contrôler la tête de découpe à angle droit lorsqu'elle franchit l'extrémité du passe-partout car elle a tendance à « sauter » vers l'utilisateur.**

**REMARQUE :** Un passe-partout d'une épaisseur supérieure à 75 cm ne s'adapte pas entre les charnières et doit être coupé par d'autres moyens tels que le couteau à passe-partout modèle 500 ou un couteau à équerre en T.

**B. DÉCOUPE D'UNE OUVERTURE EN BISEAU**

**EXEMPLE : DÉCOUPE D'UN PASSE-PARTOUT AVEC UNE BORDURE DE 5 CM.**

1. Pour installer de nouveau le guide de passe-partout longitudinal, desserrez les boutons noirs de trois tours et, le bord relevé vers la barre de guidage, alignez le guide de passe-partout avec les fentes parallèles. Maintenez le guide de passe-partout à chaque extrémité et abaissez-le dans les fentes puis serrez les boutons noirs.
2. Réglez le guide de passe-partout à la largeur de bordure souhaitée. Par exemple, pour une bordure de 5cm, alignez l'arrière du guide de passe-partout au niveau du repère de 5cm et serrez les boutons noirs. **Fig. 2**
3. Assurez-vous que la feuille doublure est en place avant de procéder à une découpe en biseau. Une feuille doublure est nécessaire. La fente de découpe à angle droit sous le rail de guidage est réservée à la coupe à angle droit.
4. Placez le passe-partout, le côté coloré vers le bas, sous le rail de guidage et contre le guide de passe-partout. **Fig. 3**
5. En utilisant un crayon, tracez une ligne sur toute la longueur du dos du passe-partout. Tournez le passe-partout après chaque tracé et répétez cette opération pour les trois côtés restants.

**D** BEDIENUNG

**A. GERADES ZUSCHNEIDEN EINES KARTONS**

1. Entfernen Sie die Passepartout-Führung und den Unterlagekarton vor einem geraden Schnitt.
2. Markieren Sie mit einem Lineal oder einem T-Winkel die Maße des Passepartouts.
3. Markieren Sie die Linien an der Rückseite und legen Sie das Passepartout mit der farbigen Seite nach unten unter die Führungsschiene, wobei Sie die markierte Linie mit der rechten Kante der Führungsschiene abgleichen.
4. Haken Sie den geraden Schneidekopf auf der Führungsschiene über das Ende des zuzuschneidenden Kartons hinaus ein. Halten Sie den Griff, wie in der Abbildung gezeigt wird, und ziehen Sie den Geraden Schneidekopf zu sich hin. Üben Sie konstanten Druck auf den Schneidekopf und die Führungsschiene aus, wenn Sie Ihren Schnitt vornehmen. **Abb. 1**

**ACHTUNG:** Achten Sie darauf, den geraden Schneidekopf zu kontrollieren, wenn der durch das Ende des Passepartout-Kartons tritt, weil er auf Sie „zuspringt“.

**HINWEIS:** Passepartouts, die breiter als 75 cm sind, passen nicht zwischen die Scharniere und müssen mit einem Passepartoutmesser (Modell 500) oder einem anderen Messer und einem T-Winkel geschnitten werden.

**B. SCHNEIDEN EINER WINKLIGEN ÖFFNUNG**

**BEISPIEL: SCHNEIDEN EINES PASSEPARTOUTS MIT EINEM 5 CM BREITEN RAND.**

1. Zum Wiedereinbau der Passepartout-Führung lösen Sie die schwarzen Knöpfe um drei Umdrehungen, damit die erhobene Kante zur Führungsschiene hinzeigt. Richten Sie die Passepartout-Führung auf die parallelen Schlitzlöcher aus. Halten Sie die Passepartout-Führung an beiden Enden fest und legen Sie sie in die Schlitzlöcher ein. Ziehen Sie die schwarzen Knöpfe fest.
2. Stellen Sie die Passepartout-Führung auf die gewünschte Randbreite ein. Für einen 5 cm breiten Rand richten Sie die Vorderseite der Passepartout-Führung auf die 5 cm Markierung aus und ziehen die schwarzen Knöpfe fest. **Abb. 2**
3. Vergewissern Sie sich, dass der Unterlagekarton vor einem Winkelschnitt angebracht wurde. Sie müssen einen Unterlagekarton verwenden. Der gerade Schnittschlitz unter der Führungsschiene kann nur für gerade Schnitte verwendet werden.
4. Legen Sie das Passepartout mit der farbigen Seite nach unten unter die Führungsschiene, an die Passepartout-Führung. **Abb. 3**
5. Ziehen Sie mit einem Bleistift Linien über die gesamte Länge der Passepartout-Rückseite. Wiederholen Sie diesen Schritt für die anderen drei Seiten.

**ESP** OPERACIÓN

**A. CORTE RECTO DE UNA PLANCHA A LA MEDIDA**

1. Quite la Guía de la Lámina Perimétrica y la Hoja de Respaldo antes del corte recto.
2. Utilice una regla, una escuadra T o un dispositivo similar para marcar las dimensiones del tablero que se cortará recto.
3. Marque las líneas en el dorso y ponga el lado de color de la lámina perimétrica abajo por debajo del Carril Guía alineando la línea marcada con el borde derecho del Carril Guía.
4. Enganche el Cabezal de Corte Recto sobre el Carril Guía más allá del extremo del tablero que se cortará. Agarre la manija según lo mostrado en el cuadro y tire del cabezal de corte recto hacia usted. Mantenga la presión constante hacia abajo sobre el Cabezal de Corte Recto y el Carril Guía conforme usted hace su corte. **Fig. 1**

**PRECAUCIÓN:** Tenga cuidado de controlar el Cabezal de Corte Recto conforme se abre paso a través del final de la lámina perimétrica, pues tenderá a "saltar" hacia usted.

**NOTA:** La lámina perimétrica más ancha de 75 cm no encajará de par en par entre las bisagras y necesitará ser cortada por algunos otros medios tales como el cuchillo de corte Modelo 500 o un cuchillo utilitario con una escuadra T.

**B. CORTE DE UNA ABERTURA BISELADA**

**EJEMPLO: CORTE DE UNA LÁMINA PERIMÉTRICA CON UN BORDE DE 5 CM.**

1. Para reinstalar la Guía de la Lámina Perimétrica, afloje las Perillas Negras tres vueltas y con el borde levantado hacia el Carril Guía, alinee la guía de la Lámina Perimétrica con las ranuras paralelas. Sostenga la Guía de la Lámina Perimétrica en cualquier extremo y deje caer cuidadosamente la Guía de la Lámina Perimétrica en las ranuras y después apriete las perillas negras.
2. Ajuste la Guía de la Lámina Perimétrica a la anchura deseada de la franja. Por ejemplo para un marco de 5cm alinee el dorso de la Guía de Lámina Perimétrica en la marca de 5cm y apriete las Perillas Negras. **Fig. 2**
3. Esté seguro que la Hoja de Respaldo esté en su lugar antes de hacer el corte biselado. Usted debe usar una Hoja de Respaldo. La ranura de corte recto debajo del Carril Guía es para cortes rectos solamente.
4. Ponga el lado de color de la lámina perimétrica abajo debajo del Carril Guía, contra la Guía de la Lámina Perimétrica. **Fig. 3**
5. Utilizando un lápiz, dibuje una línea de longitud completa del dorso de la lámina perimétrica. Gire la lámina perimétrica después de cada marca y repita esto para los tres lados restantes.

**ITL** IMPIEGO

**A. TAGLIO DIRITTO A MISURA DI UN CARTONCINO**

1. Rimuovere la guida del passepartout e il foglio di rinforzo prima di effettuare il taglio diritto.
2. Utilizzare un righello, una squadra a T o uno strumento analogo per contrassegnare le dimensioni del pannello da tagliare in rettilineo.
3. Contrassegnare le linee sul retro e posizionare il lato colorato del passepartout al di sotto della rotaia di guida allineando la linea tracciata con il bordo destro della rotaia di guida.
4. Agganciare la testa per tagli diritti alla rotaia di guida oltre l'estremità del pannello da tagliare. Afferrare l'impugnatura come illustrato nella figura e tirare verso di sé la testa per tagli diritti. Esercitare una costante pressione sulla testa per tagli diritti e sulla rotaia di guida mentre si esegue il taglio. **Fig. 1**

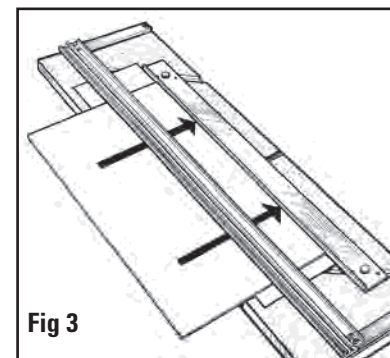
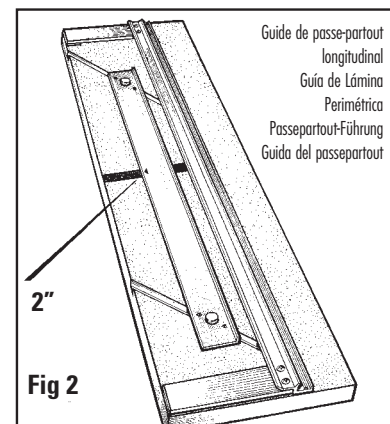
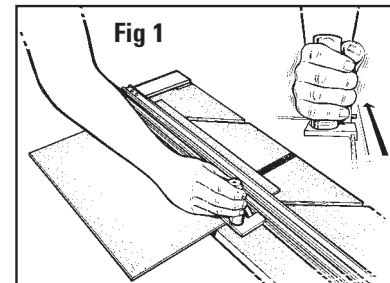
**CAUTELA:** accertarsi di controllare la testa per tagli diritti mentre si raggiunge la fine del cartoncino, in quanto tenderà a "saltare" verso di voi.

**NOTA:** un cartoncino la cui larghezza supera 75cm non si inserirà tra le cerniere e dovrà essere tagliato in altro modo, ad esempio con il Matknife modello 500 o altro tipo di coltello con l'ausilio di una squadra a T.

**B. TAGLIO DI UN'APERTURA A SMUSSO**

**ESEMPIO: TAGLIO DI UN PASSEPARTOUT CON UN BORDO DI 5 CM.**

1. Per reinstallare la guida del passepartout, allentare le manopole nere di tre giri e, con il bordo sollevato verso la rotaia di guida, allineare la guida del passepartout con le scanalature parallele. Tenere la guida del passepartout per una delle estremità, inserirla nelle scanalature e quindi serrare le manopole nere.
2. Regolare i bordi della guida del passepartout in base alla profondità desiderata. Ad esempio, per un bordo di 5cm allineare la parte posteriore della guida del passepartout sul segno 5cm e serrare le manopole nere. **Fig. 2**
3. Prima di effettuare il taglio a smusso accertarsi che il foglio di rinforzo sia ben posizionato. L'utilizzo di un foglio di rinforzo è necessario. La scanalatura dritta sotto la rotaia di guida serve esclusivamente per i tagli dritti.
4. Posizionare il lato colorato del passepartout sotto la rotaia di guida, contro la guida del passepartout. **Fig. 3**
5. Con una matita, tracciare una linea lungo l'intera lunghezza della parte posteriore del cartoncino. Ruotare il passepartout dopo ogni marcatura e ripetere questa procedura per i tre lati rimanenti.



**FR**

- Accrochez le couteau biseauté 302 sur le rail de guidage en ajustant les guides de nylon noir sur le bord relevé du rail.
- Placez le couteau de sorte que le repère de début et de fin s'aligne avec la ligne tracée la plus proche du bas de l'appareil.
- Appuyez à fond sur le support de lame avec le pouce pour y insérer la lame.  
**Fig. 4**
- Avec la main gauche appliquant une pression d'appui sur le rail de guidage, faites glisser le couteau biseauté vers l'avant jusqu'à ce que le repère de début et de fin s'aligne avec la ligne tracée au crayon. **NE DÉPASSEZ PAS CETTE LIGNE ! Fig. 5**

**REMARQUE :** Il est essentiel de maintenir une pression d'appui constante sur le support de lame lors de la coupe.

- D'un coup de pouce, extrayez le support de lame de la feuille à passe-partout, relevez le rail de guidage pour tourner le passe-partout de 1/4 de tour et continuez à découper les trois côtés restant.

**D**

- Haken Sie den 302 Winkelschneider in die Führungsschiene ein, indem Sie die schwarzen Nylonführungen über die erhobene Kante des Kanals ziehen.
- Positionieren Sie den Schneider so, dass die Start- und Stopp-Anzeigelinien auf die Linien unten an der Maschine ausgerichtet sind.
- Drücken Sie mit dem Daumen den Klingenhalter fest nach unten, um die Klinge einzustecken. **Abb. 4.**
- Drücken Sie mit der linken Hand nach unten auf die Führungsschiene, schieben Sie den Winkelschneider nach vorne, bis die Start0 und Stopp-Anzeigelinien der oberen Bleistiftlinie entsprechen. **GEHEN SIE NICHT ÜBER DIESE LINIE HINAUS! Abb. 5**

**HINWEIS:** Es ist wichtig, dass Sie beim Schneiden Druck auf den Klingenhalter ausüben.

- Drehen Sie den Klingenhalter nach oben in die neutrale Position und drehen Sie das Passepartout um 90° Drehung nach rechts. Wiederholen Sie diese Schritte für die restlichen drei Seiten, um das Passepartout fertig zu stellen.

**FR**

**C. DÉCOUPE D'UNE OUVERTURE EN BISEAU DANS DES PASSE-PARTOUT D'UNE LONGUEUR SUPÉRIEURE À 81.28 CM**

Suivre les étapes 2 – 9

**Remarque :** Utilisez une feuille doublure aussi longue que le passe-partout à couper. Lorsque la découpe atteint l'extrémité du rail de guidage, laissez la tête de découpe en place et ne rétractez pas la lame. Saisissez le bord inférieur du passe-partout et de la feuille doublure et faites glisser le matériau vers soi jusqu'à la fin de la coupe. **Fig. 6**

**D. DÉCOUPE D'UNE OUVERTURE EN BISEAU À GAUCHE**

- Suivre les étapes 2 à 5 de Découpe d'une ouverture en biseau.
- Placez-vous à l'extrémité de l'appareil de sorte que la barre de guidage soit à votre droite.
- Placez la main gauche sur le support de lame rétractable avec le pouce sur l'emplacement prévu pour lui. Alignez l'indicateur de début et de fin avec le trait au crayon, insérez la lame et tirez le couteau biseauté vers soi avec la main gauche. **Fig. 7**

**D**

**C. SCHNEIDEN EINER WINKLIGEN ÖFFNUNG IN PASSEPARTOUTS, DIE LÄNGER ALS 81.28 CM SIND**

Gehen Sie wie in den Schritten 2 – 9 oben beschrieben vor.

**Hinweis:** Verwenden Sie einen Unterlagekarton, der länger als das zuzuschneidende Passepartout ist. Wenn Sie zum Ende der Führungsschiene kommen, lassen Sie den Schneidekopf an Ort und Stelle und ziehen die Klinge nicht heraus. Halten Sie die untere Kante des Passepartouts und des Unterlagekartons und ziehen Sie das Material zu sich hin, damit Sie den Schnitt machen können. **Abb. 6**

**D. SCHNEIDEN EINER WINKLIGEN ÖFFNUNG MIT DER LINKEN HAND**

- Gehen Sie wie in den Schritten 2 – 5 oben beschrieben vor.
- Stehen Sie am Ende der Maschine, damit die Führung rechts von Ihnen ist.
- Legen Sie Ihre linke Hand auf den einziehbaren Klingenhalter und legen Sie Ihren Daumen auf die Einkerbung. Markieren Sie den Anfang und das Ende des Schnitts, stecken Sie die Klinge ein und ziehen Sie den Winkelschneider mit Ihrer linken Hand zu sich hin. **Abb. 7**

**ESP**

- Enganche el Cortador de Bisel 302 sobre el Carril Guía encajando las guías de nylon negro sobre el borde levantado del canal.
- Coloque el cortador de modo que la línea Indicadora de Inicio y de Parada se alinee con la línea marcada más cercana posible a la parte baja de la máquina.
- Utilice su pulgar para presionar firmemente al sujetador de la cuchilla hasta el fondo para insertar la cuchilla. **Fig. 4**
- Con su mano izquierda y aplicando presión sobre el carril guía, deslice el cortador biselado hacia adelante hasta que el indicador de inicio y de parada se alinee con la línea de lápiz superior. **¡NO VAYA MÁS ALLÁ DE LA LÍNEA! Fig. 5**

**NOTA:** Es esencial mantener la presión estable hacia abajo sobre el Sujetador de la Cuchilla conforme usted corta.

- Utilice su pulgar para zafar el sujetador de la cuchilla hacia atrás fuera de la lámina perimétrica, levante el carril guía levemente para girar la lámina perimétrica 1/4 de vuelta y para continuar cortando los tres lados restantes.

**ITL**

- Agganciare la taglierina per passepartout a smusso 302 alla rotaia di guida inserendo le guide in nylon nere sul bordo rialzato del canale.
- Posizionare la taglierina in modo tale che l'indicatore di inizio e di fine si allinei con la linea tracciata più vicina al fondo dell'attrezzo.
- Usare il pollice per premere energicamente fino in fondo il portalama per inserire la lama. **Fig. 4**
- Esercitando pressione sulla rotaia di guida con la mano sinistra, far scorrere in avanti la taglierina per passepartout a smusso finché l'indicatore di inizio e di fine non si allinei con la linea tracciata a matita superiore. **NON SUPERARE LA LINEA! Fig. 5**

**NOTA:** durante il taglio è essenziale esercitare una pressione uniforme sul portalama.

- Usare il pollice per far saltare fuori il portalama dal cartoncino, sollevare leggermente la rotaia di guida per far fare un giro di 1/4 al passepartout e continuare a tagliare i tre lati rimanenti.

**ESP**

**C. CORTANDO UNA ABERTURA BISELADA EN LÁMINAS PERIMÉTRICAS MÁS LARGAS QUE 81.28 CM**

Siga los pasos 2 – 9

**Nota:** Utilice una hoja de respaldo tan largo como la lámina perimétrica que desea cortar. Mientras corta conforme usted alcanza el final del carril guía deje el cabezal de corte en su lugar y no contraiga la cuchilla. Agarre el borde de la parte baja de la lámina perimétrica y la hoja de respaldo y deslice el material hacia usted hasta que usted pueda terminar su corte. **Fig. 6**

**D. CORTE DE UNA ABERTURA BISELADA CON LA MANO IZQUIERDA**

- Siga los pasos 2 a 5 al Cortar una Abertura Biselada.
- Posiciónese usted mismo al final de la máquina de tal manera que la guía de la lámina perimétrica está a su derecha.
- Ponga su mano izquierda en el sujetador de la cuchilla retractable con su pulgar en la hendidura. Alinee el indicador de inicio y de parada con la línea de lápiz más alejada, inserte la cuchilla y tire del cortador de bisel hacia usted con su mano izquierda. **Fig. 7**

**ITL**

**C. TAGLIO DI UN'APERTURA A SMUSSO IN PASSEPARTOUT DI LUNGHEZZA SUPERIORE A 81.28 CM**

Seguire le procedure 2 – 9

**Nota:** utilizzare un foglio di rinforzo lungo quanto il cartoncino che si desidera tagliare. Mentre si raggiunge, tagliando, l'estremità della rotaia di guida, lasciare la testa di taglio in posizione senza ritrarre la lama. Afferrare il bordo inferiore del cartoncino e del foglio di rinforzo e far scorrere il materiale verso di voi fino a completare il taglio. **Fig. 6**

**D. TAGLIO DI UN'APERTURA A SMUSSO CON LA MANO SINISTRA**

- Seguire le procedure da 2 a 5 in Taglio di un'apertura a smusso.
- Posizionatevi all'estremità dell'attrezzo così che la guida del passepartout si trovi alla vostra destra.
- Appoggiare la mano sinistra sul portalama retrattile con il pollice sull'apposito incavo. Allineare l'indicatore di inizio e di fine con il tratto di matita lontano, inserire la lama e tirare verso di voi la taglierina per passepartout a smusso con la mano sinistra. **Fig. 7**

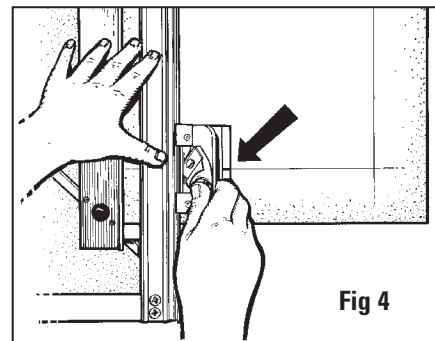


Fig 4

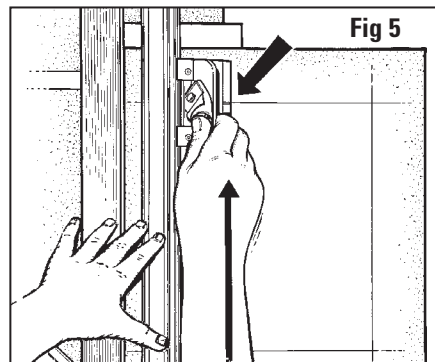


Fig 5

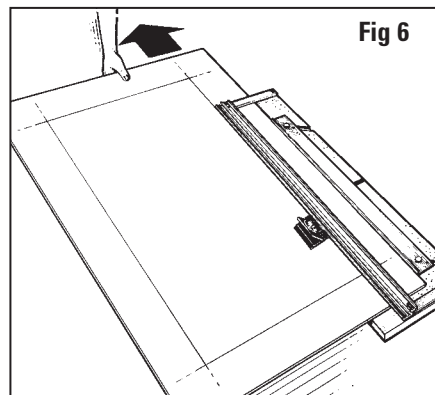


Fig 6

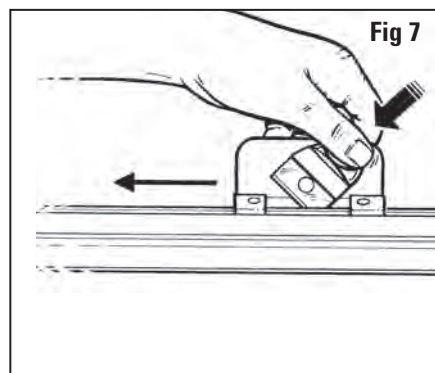


Fig 7

FR

**E. DÉCOUPE D'UNE OUVERTURE À ANGLE DROIT**  
**EXEMPLE : DÉCOUPE D'UN PASSEPARTOUT AVEC UNE BORDURE DE 5 CM**

1. Réglez le guide de passe-partout longitudinal au niveau du repère de 5 cm sur l'échelle et serrez les boutons noirs.
2. Placez le passe-partout à découper dans l'appareil, le côté coloré vers le bas, avec la feuille doublure en dessous et abaissez le rail de guidage.
3. En utilisant un crayon, tracez une ligne le long de toute la longueur du passe-partout en utilisant le rail de guidage comme guide. Répétez cette opération pour les trois côtés restants.
4. En utilisant une tête de découpe à angle droit, alignez la ligne de découpe avec la ligne de la bordure supérieure et appuyez sur la poignée jusqu'à ce que la tête de découpe repose à plat sur le passe-partout et sur les guides en nylon. **Fig. 1**
5. Tirez la tête de découpe à angle droit jusqu'à ce que la ligne de découpe inférieure s'aligne avec la ligne de la bordure inférieure. Recommencez jusqu'à ce que toutes les bordures soient coupées. **Fig. 2**

ESP

**E. CORTE DE UNA ABERTURA RECTA**  
**EJEMPLO: CORTE DE UNA LÁMINA PERIMÉTRICA CON UNA FRANJA DE 5 CM**

1. Ajuste la Guía de la Lámina Perimétrica a la marca de 5 cm en la escala y vuelva a apretar las Perillas Negras.
2. Coloque la lámina perimétrica que se cortará dentro de la máquina con el lado coloreado hacia abajo y con la Hoja de Respaldo debajo y baje el Carril Guía.
3. Utilizando un lápiz, marque una línea a lo largo de la longitud completa de la lámina perimétrica utilizando el Carril Guía como guía. Repita esto para los tres lados restantes.
4. Utilizando el Cabezal de Corte recta, alinee la línea superior trazada con la línea superior de la franja y presione hacia abajo la manija hasta que el cabezal de corte se sienta completamente plano sobre la lámina perimétrica y sobre las Guías del Nylon. **Fig. 1**
5. Tire del Cabezal de Corte Recto hasta que la línea trazada de la parte baja se alinee con la línea del borde inferior. Repita hasta que todas las franjas estén cortadas. **Fig. 2**

D

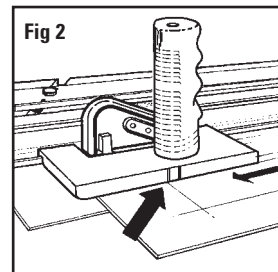
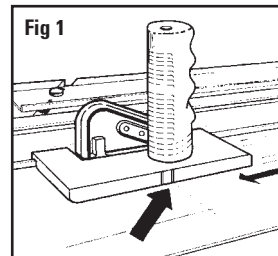
**E. SCHNEIDEN EINER GERADEN ÖFFNUNG**  
**BEISPIEL: SCHNEIDEN EINES PASSEPARTOUTS MIT EINEM 5 CM BREITEN RAND**

1. Stellen Sie die Passepartout-Führung auf einen 5 cm breiten Rand ein und ziehen die schwarzen Knöpfe fest.
2. Legen Sie das zuzuschneidende Passepartout mit der farbigen Seite nach unten mit dem Unterlagekarton in die Führungsschiene.
3. Ziehen Sie mit einem Bleistift Linien über die gesamte Länge der Passepartout-Rückseite. Wiederholen Sie diesen Schritt für die anderen drei Seiten.
4. Verwenden Sie den geraden Schneidekopf und gleichen Sie die obere Linie mit der oberen Randlinie ab und drücken Sie auf dem Griff nach unten, bis der Schneidekopf flach auf dem Passepartout aufliegt, so dass die Nylonführungen in die Führungsschiene eingehakt werden. **Abb. 1**
5. Ziehen Sie den geraden Schneidekopf, bis die untere Linie an der unteren Randlinie anliegt. Wiederholen Sie diesen Schritt, bis alle Ränder geschnitten sind. **Abb. 2**

ITL

**E. TAGLIO DI UN'APERTURA DIRITTA**  
**ESEMPIO: TAGLIO DI UN PASSEPARTOUT CON UN BORDO DI 5 CM**

1. Disporre la guida del passepartout sul segno 5 cm sul righello e serrare nuovamente le manopole nere.
2. Posizionare il passepartout da tagliare nell'attrezzo con il lato colorato rivolto verso il basso e con il foglio di rinforzo sotto di esso, e abbassare la rotella di guida.
3. Con una matita, tracciare una linea lungo l'intera lunghezza del cartoncino utilizzando la rotella di guida come guida. Ripetere la procedura per i tre lati rimanenti.
4. Con l'ausilio della testa per tagli dritti, allineare il tratto di matita superiore con la linea del bordo superiore ed esercitare pressione sull'impugnatura finché la testa di taglio non poggia, piano, sul cartoncino e sulle guide in nylon. **Fig. 1**
5. Tirare la testa per tagli dritti finché il tratto di matita inferiore non si allinei con la linea del bordo inferiore. Ripetere finché tutti i bordi non siano tagliati. **Fig. 2**



FR

**RÉGLAGES ET ENTRETIEN**

**A. RÉGLAGE DE LA HAUTEUR DE LA LAME – TÊTE DE DÉCOUPE EN BISEAU**

**OUTILS NÉCESSAIRES : TOURNEVIS, RÈGLE**

1. Maintenir le couteau biseauté 302 à l'envers dans la main avec la lame activée en position de découpe.
2. En regardant l'extrémité de la lame, mesurez la portion exposée avec une règle au même angle que la lame. Pour une feuille à passe-partout d'épaisseur normale (4 couches) seulement 3,2 mm doit être vu. Pour le réglage, trouvez la tête de la vis dans le renforcement du bas de la surface de la tête de découpe, à l'endroit où sort la lame. **Fig. 3**
3. La rotation de la vis vers la droite (dans le sens des aiguilles d'une montre) réduit la hauteur de la lame ; la rotation vers la gauche (dans le sens contraire des aiguilles d'une montre) augmente sa hauteur. Une hauteur de 3,2 mm n'est pas adaptée à tous les passe-partout. Un passe-partout plus épais en nécessite plus. Réglez toujours la hauteur de la lame pour n'entaille que légèrement la feuille doublure. Même le fait de n'entailer que la moitié de l'épaisseur de la feuille doublure indique une hauteur de lame excessive. Cette hauteur de lame supplémentaire permet à l'extrémité de la lame de s'infléchir et cause des entailles et des courbes dans la découpe. Une hauteur supplémentaire de lame peut aussi fausser le repère de début et de fin, ce qui peut provoquer des découpes excessives. Ce test et ces réglages doivent être effectués périodiquement car la hauteur peut augmenter d'elle-même au fur et à mesure d'une utilisation régulière.

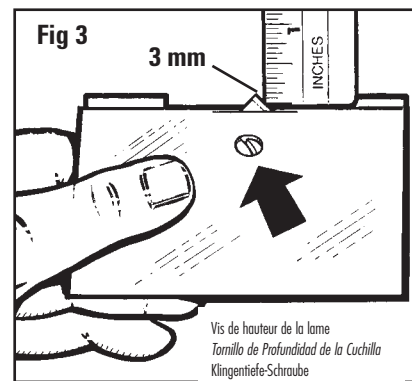
ESP

**AJUSTES Y MANTENIMIENTO**

**A. AJUSTE DE LA PROFUNDIDAD DE LA CUCHILLA - CABEZAL DE CORTE DE BISEL**

**HERRAMIENTAS NECESARIAS: DESTORNILLADOR, REGLA**

1. Sostenga el Cortador de Bisel 302 al revés en su mano con la cuchilla activada en la posición del corte.
2. Mirando la punta de la cuchilla, mida la cantidad expuesta con una regla al mismo ángulo que la cuchilla. Para la plancha de lámina perimétrica de grosor estándar (4 capas) solamente se debe ver 3mm de cuchilla. Para ajustar, encuentre la cabeza del tornillo a ras debajo de la parte baja de la superficie del cabezal de corte cerca de donde está asomando la cuchilla. **Fig. 3**
3. Girando el tornillo a la derecha (en el sentido de las agujas del reloj) se disminuirá la profundidad de la cuchilla, a la izquierda (en dirección contraria a las agujas del reloj) se aumentará la profundidad de la cuchilla. No todas las láminas perimétricas requieren 3mm. Una lámina perimétrica más gruesa requerirá más. Siempre tenga la profundidad de la cuchilla ajustada de modo que la Hoja de Respaldo sea tocada solo levemente. Cortar aún hasta la mitad a través de la Hoja de Respaldo es enteramente demasiada profundidad de cuchilla. Esta profundidad adicional de cuchilla permite que la punta de la cuchilla se flexione y causa enganches y curvas en el corte. La profundidad adicional de cuchilla puede también hacer que el indicador de inicio y de parada sea incorrecto, lo que da lugar a sobrecortes. Se necesita hacer esta prueba y ajuste periódicamente ya que la profundidad puede aumentarse por sí sola con el tiempo de uso regular.



Vis de hauteur de la lame  
Tornillo de Profundidad de la Cuchilla  
Klingentiefe-Schraube  
Vite di profondità della lama

D

**EINSTELLUNGEN & WARTUNG**

**A. EINSTELLUNG DER KLINGENTIEFE- WINKELSCHNEIDEKOPF**  
**BENÖTIGTE WERKZEUGE: SCHRAUBENZIEHER, LINEAL**

1. Halten Sie den 302 Winkelschneider umgedreht in Ihrer Hand, wobei die Klinge in Schneidposition ist.
2. Sehen Sie auf die Klingenspitze und messen Sie die hervorstehende Spitze mit einem Lineal im selben Winkel wie die Klinge. Für Passepartouts von Standarddicke (4 Lagen) sollten nur 3 mm der Klinge zu sehen sein. Stellen Sie die Tiefe an der Schraube unter der Oberfläche des Schneidekopfs ein, wo die Klinge austritt. **Abb. 3**
3. Drehen Sie die Schraube nach rechts (im Uhrzeigersinn), um die Klingentiefe zu reduzieren, oder nach links (gegen den Uhrzeigersinn), um die Tiefe zu erhöhen. Nicht alle Kartons erfordern 3 mm. Dickere Kartons benötigen mehr. Die Klingentiefe muss immer so eingestellt werden, dass der Unterlagekarton nur leicht eingritz wird. Wenn der Unterlagekarton zur Hälfte durchstoßen wird, ist die Klinge zu tief eingestellt. Diese zusätzliche Klingentiefe führt zu einem Verbiegen der Klingenspitze und zu Kurven im Schnitt. Zu viel Klingentiefe kann auch dazu führen, dass die Start- und Stopp-Anzeige nicht richtig ist und Überschneitungen vorkommen. Dieser Test und die Einstellungen müssen regelmäßig vorgenommen werden, weil der Passepartout-Karton verschieden dick sein kann und die Tiefe im Laufe der Zeit verstellt werden kann.

ITL

**REGOLAZIONI E MANUTENZIONE**

**A. REGOLAZIONE DELLA PROFONDITÀ DELLA LAMA – TESTA PER TAGLI A SMUSSO**  
**UTENSILI NECESSARI: CACCIAVITE, RIGHELLO**

1. Tenere in mano la taglierina per passepartout a smusso 302 capovolta con la lama attivata in posizione di taglio.
2. Osservando la punta della lama, misurare la parte esposta con un righello alla stessa angolazione della lama. Per cartoncini di spessore standard (4 strati di compensato) dovrebbe vedersi soltanto 3mm della lama. Per regolarla, localizzare la testa della vite incassata sotto il fondo della superficie della testa di taglio in prossimità del punto dal quale fuoriesce la lama. **Fig. 3**
3. La rotazione in senso orario della vite ridurrà la profondità della lama, mentre la rotazione in senso antiorario la aumenterà. Non tutti i cartoncini richiedono 3mm. Cartoncini più spessi richiederanno una profondità maggiore. Regolare sempre la profondità della lama di modo che il foglio di rinforzo risulti solo lievemente marcato. Un taglio anche solo fino alla metà dello spessore del foglio di rinforzo rappresenta una profondità della lama eccessiva. Per via di questo eccesso di profondità della lama, la punta della lama potrebbe piegarsi e causare lingue e curve nel taglio. Una profondità eccessiva della lama potrebbe anche far sì che l'indicatore di inizio e di fine sia scorretto, dando luogo a tagli imprecisi. Questa verifica e regolazione va effettuata periodicamente in quanto la profondità potrebbe aumentare col tempo se l'attrezzo viene utilizzato regolarmente.

**FR**

**B. REPOSITIONNEMENT LONGITUDINAL DU GUIDE DE PASSE PARTOUT OUTILS NÉCESSAIRES : TOURNEVIS CRUCIFORME, RÉGLE**

Avant de repositionner longitudinalement le guide passe-partout, assurez-vous tout d'abord que cela est nécessaire en effectuant un test de parallélisme.

**TEST DE PARALLÉLISME :**

1. Verrouillez le guide de passe-partout longitudinalement au niveau du repère de 5 cm sur l'échelle. **Fig. 1**
2. Placez un morceau de chute de passe-partout sous le rail de réglage et vers le haut contre le guide de passe-partout à l'extrémité de l'appareil.
3. À l'aide d'un crayon, tracez une ligne à travers le passe-partout.
4. Faites glisser le passe-partout complètement vers le bas vers vous en le gardant sous le rail de guidage mais pas contre la barre d'équerage.
5. Tracez une autre ligne à travers le passe-partout.
6. Le morceau de passe-partout doit à présent sembler n'avoir qu'une seule ligne en son travers. Si les deux lignes tracées ne s'alignent pas l'une sur l'autre, le parallélisme du guide de passe-partout doit être rétabli.

**POUR RÉTABLI LE PARALLÉLISME :**

1. Relâchez le guide de passe-partout.
2. À l'aide d'un tournevis à tête cruciforme, desserrez d'un tour les quatre vis des deux côtés des boutons noirs.
3. Placez une règle entre le guide de passe-partout et le rail de guidage. **Fig. 2**
4. Faites glisser le guide de passe-partout contre la règle et le rail de guidage. Assurez-vous qu'un bon contact existe entre le guide de passe-partout et le rail de guidage des deux côtés de la règle.
5. Resserrez les boutons noirs en premier.
6. Puis resserrez les quatre vis. Effectuez un autre test de parallélisme pour s'assurer que le guide de passe-partout est à présent parallèle.

**D**

**B. ERNEUTES PARALLELISIEREN DER PASSEPARTOUT-FÜHRUNG BENÖTIGTE WERKZEUGE: KREUZKOPFSCHRAUBENZIEHER, LINEAL.**

Zur erneuten Parallelisierung der Passepartout-Führung müssen Sie zunächst feststellen, dass die Passepartout-Führung nicht mehr parallel ist, indem Sie einen Test durchführen.

**PARALLELITÄTESTEST:**

1. Arretieren sie die Passepartout-Führung an der 5 cm Markierung auf der Skala. **Abb. 1**
2. Legen Sie einen Bogen Abfall-Passepartout unter die Führungsschiene an die Passepartout-Führung oben an der Maschine.
3. Ziehen Sie mit einem Bleistift eine Linie über das gesamte Passepartout.
4. Schieben Sie das Passepartout ganz nach unten, wo Sie stehen und lassen Sie das Passepartout an der Passepartout-Führung, aber nicht am Auswinkelarm.
5. Ziehen Sie eine Linie über das gesamte Passepartout.
6. Das Passepartout sollte jetzt nur eine Linie aufweisen. Wenn die beiden Linien nicht vollkommen aufeinanderliegen, muss die Passepartout-Führung neu parallelisiert werden.

**ERNEUTES PARALLELISIEREN:**

1. Lassen Sie die Passepartout-Führung los.
2. Lösen Sie mit einem Kreuzkopfschraubenzieher die Schrauben an den Seiten der schwarzen Knöpfe um jeweils eine Drehung. Insgesamt müssen vier Schrauben gelöst werden.
3. Positionieren Sie ein Metalllineal oder eine gerade Kante zwischen der Passepartout-Führung und die Führungsschiene. **Abb. 2**
4. Schieben Sie die Passepartout-Führung an die gerade Kante der Führungsschiene. Vergewissern Sie sich, dass die Passepartout-Führung und die Führungsschiene an beiden Seiten der geraden Kante Kontakt haben.
5. Ziehen Sie die schwarzen Knöpfe zuerst wieder fest.
6. Ziehen Sie dann die vier Schrauben fest. Machen Sie einen weiteren Parallelitätstest, um sicherzugehen, dass die Passepartout-Führung jetzt parallel ist.

**ESP**

**B. REPONER EN PARALELO LA GUÍA DE LA LÁMINA PERIMÉTRICA HERRAMIENTAS NECESARIAS: DESTORNILLADOR PHILLIPS, REGLA**

Para reponer en paralelo la Guía de la Lámina Perimétrica, primero determine que la Guía de la Lámina Perimétrica está fuera de paralelismo haciendo una prueba de paralelismo.

**PRUEBA DE PARALELISMO:**

1. Trabaje la Guía de la Lámina Perimétrica en la marca de 5 cm en la escala. **Fig. 1**
2. Coloque una pieza de desecho de lámina perimétrica debajo del Carril Guía y arriba contra la Guía de la Lámina Perimétrica en el extremo lejano de la máquina.
3. Utilizando un lápiz, marque una línea a través de la lámina perimétrica.
4. Deslice la lámina perimétrica a todo lo que da cerca donde usted está parado manteniendo debajo del Carril Guía pero no contra la barra de escuadra.
5. Marque otra línea a través de la lámina perimétrica.
6. La pieza de lámina perimétrica debe ahora parecer como que solamente tiene una sola línea a través de ella. Si las dos líneas dibujadas no se alinean la una con la otra, la Guía de la Lámina Perimétrica necesita ser repuesta en paralelo.

**PARA REPONER EN PARALELO:**

1. Libere la Guía de la Lámina Perimétrica.
2. Utilice un destornillador de punta Phillips para aflojar una vuelta los cuatro tornillos en cualquiera de los dos lados de las perillas negras.
3. Coloque una regla o borde recto entre la Guía de la Lámina Perimétrica y el Carril Guía. **Fig. 2**
4. Deslice la Guía de la Lámina Perimétrica contra el borde recto y el Carril Guía. Esté seguro que la Guía de la Lámina Perimétrica y el Carril Guía están haciendo un sólido contacto en ambos lados del borde recto.
5. Vuelva a apretar las Perillas Negras primero.
6. Entonces vuelva a apretar los cuatro tornillos. Haga otra prueba paralela para asegurarse de que la Guía de la Lámina Perimétrica está paralela ahora.

**ITL**

**B. RIPRISTINARE IL PARALLELISMO DELLA GUIDA DEL PASSEPARTOUT UTENSILI NECESSARI: CACCIAVITE PER VITI CON TAGLIO A CROCE, RIGHELLO**

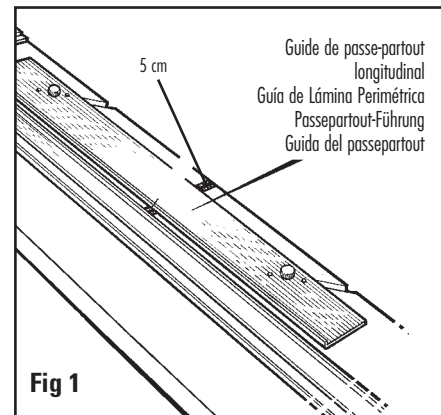
Per ripristinare il parallelismo della guida del passepartout, accertare prima che la guida non sia parallela effettuando una prova di parallelismo.

**PROVA DI PARALLELISMO:**

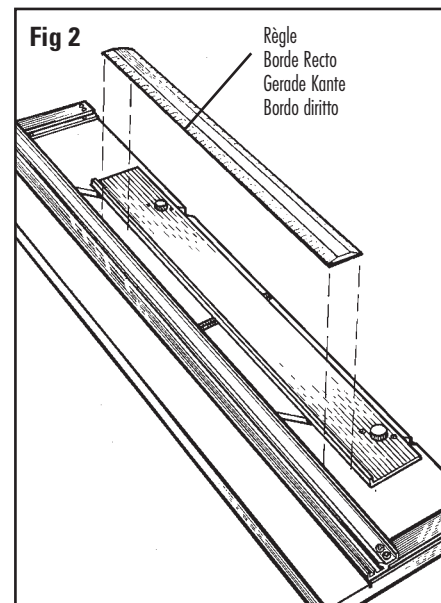
1. Bloccare la guida del passepartout sul segno 5 cm sul righello. **Fig. 1**
2. Posizionare un pezzo di cartoncino di scarto sotto la rotaia di guida e contro la guida del passepartout all'estremità più lontana dell'attrezzo.
3. Con una matita, tracciare una linea attraverso il cartoncino.
4. Far scorrere il passepartout per l'intera lunghezza vicino al punto in cui vi trovate, tenendolo sotto la rotaia di guida ma non contro la barra di squadratura.
5. Tracciare un'altra linea attraverso il cartoncino.
6. Sul pezzo di cartoncino dovrebbe ora apparire una sola linea. Se le due linee tracciate non si allineano l'una con l'altra, occorre ripristinare il parallelismo della guida del passepartout.

**PER RIPRISTINARE IL PARALLELISMO:**

1. Sbloccare la guida del passepartout.
2. Utilizzare un cacciavite per viti con taglio a croce per allentare di un giro le quattro viti su una dei lati delle manopole.
3. Posizionare un righello o un bordo diritto tra la guida del passepartout e la rotaia di guida. **Fig. 2**
4. Far scorrere la guida del passepartout contro il bordo diritto e la rotaia di guida. Accertarsi che sia la guida del passepartout che la rotaia di guida si trovino a contatto con entrambi i lati del bordo diritto.
5. Serrare nuovamente prima le manopole nere.
6. Quindi serrare nuovamente le quattro viti. Eseguire un'altra prova di parallelismo che verificare che la guida del passepartout sia ora parallela.



**Fig 1**



**Fig 2**

**FR** Conseils pratiques disponibles en ligne à [www.logangraphic.com](http://www.logangraphic.com)

**ESP** Sugerecias prácticas en linea en [www.logangraphic.com](http://www.logangraphic.com)

**D** Nützliche Tipps finden Sie online unter [www.logangraphic.com](http://www.logangraphic.com)

**ITL** Altri utili suggerimenti sono consultabili alla pagina web [www.logangraphic.com](http://www.logangraphic.com)

PROBLÈMES ET SOLUTIONS • SOLUCIÓN DE FALLAS • MÖGLICHE FEHLERQUELLEN UND IHRE BEHEBUNG • LOCALIZZAZIONE GUASTI

**FR**

**Problème**

Entailles ou courbes

**Solution**

- N'utilisez que des lames d'origine Logan.
- Lame réglée à une hauteur excessive. (voir page 6)
- Lame émoussée.
- La lame accroche une coupe précédente dans la feuille double. (voir page 4)
- Pression inégale appliquée sur la tête de découpe lors de la découpe. (voir page 5)

**Problème**

Découpe excessive sur la coupe supérieure

**Solution**

- Lame réglée à une hauteur excessive. (voir page 6)

**Problème**

Découpe excessive sur la coupe inférieure

**Solution**

- Si trop petit — alignez le repère de début et de fin légèrement sous la ligne au crayon et découper.
- Si trop grand — alignez le repère de début et de fin légèrement au-dessus de la ligne au crayon et découper.

**Problème**

Bordures du passe-partout inégales

**Solution**

- Guide de passe-partout non parallèle (voir page 7)

**Problème**

Coupe en biseau décalée

**Solution**

- Découpe sans feuille double. (voir page 4)
- Feuille double usée. (voir page 4)
- Fréquence de remplacement de la lame insuffisante.

**Problème**

Ne coupe pas au travers

**Solution**

- La machine n'est pas sur une surface plane (voir page 8)
- Une feuille double ou au moins aussi longue que le passe-partout à couper n'est pas utilisée (voir page 4)
- La feuille double n'est pas aussi large que le rail de guidage.
- La hauteur de la lame n'est pas suffisante. (voir page 4)

**ESP**

**Problema**

Ganchos o Curvas

**Solución**

- Use cuchillas auténticas de Logan solamente.
- Profundidad de la cuchilla graduada muy honda. (vea pagina 6)
- La cuchilla está embotada.
- La cuchilla se está atrancando en un corte anterior de la Hoja de Respaldo. (vea pagina 4)
- Se está aplicando presión desigual al Cabezal de Corte durante el corte. (vea pagina 5)

**Problema**

Cortado en exceso en el Corte de Arriba

**Solución**

- Profundidad de la cuchilla graduada muy honda. (vea pagina 6)

**Problema**

Cortado en exceso en el Corte de Abajo

**Solución**

- Si es demasiado pequeño - alinee un indicador de inicio y de parada levemente debajo de la línea del lápiz y corte.
- Si es demasiado grande - alinee un indicador de inicio y de parada levemente por encima de la línea del lápiz y corte.

**Problema**

Bordes Desiguales de la Lámina Perimétrica

**Solución**

- Guía de la Lámina Perimétrica no paralela (vea la página 7)

**Problema**

Corte Desigual del Bisel

**Solución**

- Corte sin una Hoja de Respaldo. (vea pagina 4)
- La Hoja de Respaldo está desgastada. (vea pagina 4)
- No está cambiando la cuchilla suficiente a menudo.

**Problema**

No Está Cortando A Través

**Solución**

- La Máquina no está en una superficie a nivel (vea la página 8)
- No está utilizando una Hoja de Respaldo por lo menos con la lámina perimétrica que usted está cortando. (vea pagina 4)
- Hoja de Respaldo no es tan ancho como el Carril Guía.
- Profundidad de la cuchilla graduada no muy profundo. (vea pagina 6)

**D**

**Problem**

Haken oder Kurven

**Lösung**

- Verwenden Sie nur echte Logan-Klingen.
- Klinge ist zu tief eingestellt. (Siehe Seite 8)
- Klinge ist stumpf.
- Klinge bleibt an den vorhergehenden Schnittstellen auf dem Unterlagkarton stecken. (Siehe Seite 4)
- Druck wird nicht gleichmäßig auf den Schneidekopf beim Schneiden ausgeübt. (Siehe Seite 5)

**Problem**

Überschnitt auf dem obersten Schnitt

**Lösung**

- Klinge ist zu tief eingestellt. (Siehe Seite 6)

**Problem**

Überschnitt am untersten Schnitt

**Lösung**

- Zu klein- Start- und Stopp-Anzeige unter der Bleistiftlinie einstellen und schneiden.
- Zu groß- Start- und Stopp-Anzeige über der Bleistiftlinie einstellen und schneiden.

**Problem**

Passepartout-Ränder uneben

**Lösung**

- Passepartout-Führung nicht parallel. (Siehe Seite 7)

**Problem**

Ausgefranter Winkelschnitt

**Lösung**

- Schnitt ohne Unterlagekarton. (Siehe Seite 4)
- Unterlagekarton zu alt. (Siehe Seite 4)
- Klinge wird nicht häufig genug ausgewechselt.

**Problem**

Schnitt geht nicht durch

**Lösung**

- Maschine ist nicht auf einer ebenen Oberfläche. (Siehe Seite 8)
- Unterlagekarton ist nicht mindestens so lang wie das Passepartout. (Siehe Seite 4)
- Unterlagekarton ist nicht so breit wie die Führungsschiene.
- Druck wird nicht gleichmäßig auf den Schneidekopf beim Schneiden ausgeübt. (Siehe Seite 6)

**ITL**

**Problema**

Si piega o si curva

**Soluzione**

- Utilizzare esclusivamente lame Logan originali.
- La profondità della lama è eccessiva (vedere pagina 6).
- La lama è smussata.
- La lama si impiglia sul taglio precedente nel foglio di rinforzo (vedere pagina 4).
- Durante il taglio si applica alla testa di taglio una pressione irregolare (vedere pagina 5).

**Problema**

Taglio impreciso sul taglio superiore

**Soluzione**

- La profondità della lama è eccessiva (vedere pagina 6).

**Problema**

Taglio impreciso sul taglio inferiore

**Soluzione**

- Se troppo piccolo: allineare l'indicatore di inizio e di fine leggermente al di sotto del tratto di matita e tagliare.
- Se troppo grande: allineare l'indicatore di inizio e di fine leggermente al di sopra del tratto di matita e tagliare.

**Problema**

I bordi del passepartout sono irregolari

**Soluzione**

- La guida del passepartout non è parallela (vedere pagina 7)

**Problema**

Taglio a smusso irregolare

**Soluzione**

- Si sta tagliando senza un foglio di rinforzo (vedere pagina 4).
- Il foglio di rinforzo è consumato (vedere pagina 4).
- La lama non viene cambiata con sufficiente frequenza.

**Problema**

Non taglia

**Soluzione**

- L'attrezzo non si trova su una superficie piana (vedere pagina 8).
- Durante il taglio non si utilizza un foglio di rinforzo lungo almeno quanto il passepartout (vedere pagina 4).
- Il foglio di rinforzo non è ampio quanto la rotella di guida.
- La profondità della lama è insufficiente (vedere pagina 6).

**FR** Conseils pratiques disponibles en ligne à [www.logangraphic.com](http://www.logangraphic.com)

**ESP** Sugerencias prácticas en línea en [www.logangraphic.com](http://www.logangraphic.com)

**D** Nützliche Tipps finden Sie online unter [www.logangraphic.com](http://www.logangraphic.com)

**ITL** Altri utili suggerimenti sono consultabili alla pagina web [www.logangraphic.com](http://www.logangraphic.com)