

Instruction Manual

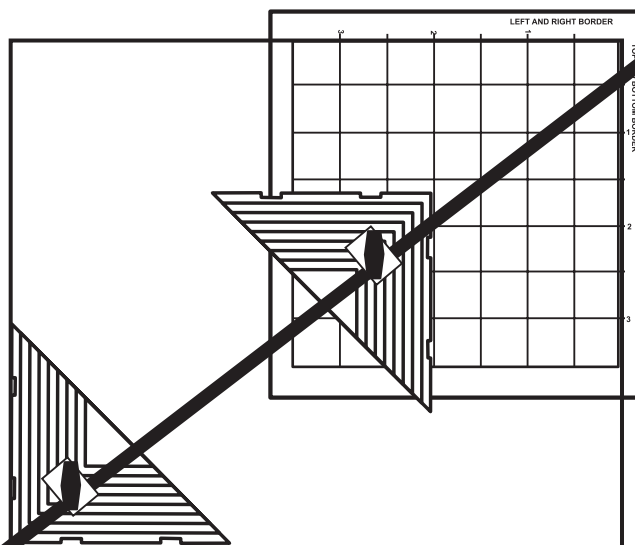
PICTURE FRAMING

THE FIT-N-FRAME BORDER GUIDE

MODEL 262

*Patent applied for

- Calculates Border Sizes up to 3.5in (8.9cm)
- Works with Frames up to 24in x 28in (61cm x 71cm)



Description

The Fit-N-Frame Border Guide has been designed to provide an easy and accurate method for sizing the mat board and positioning the image into square and rectangle picture frames. The Fit-N-Frame Border Guide has two uses. First, use the Fit-N-Frame Border Guide to accurately size your mat board to fit into any square or rectangle frame (Up To a 24" x 28" / 61cm x 71cm frame). Second, quickly center your artwork within the mat for perfect borders on every side. No cumbersome math or fractions! Simply use the enclosed rule and border guide for a perfect custom fit.

Identification

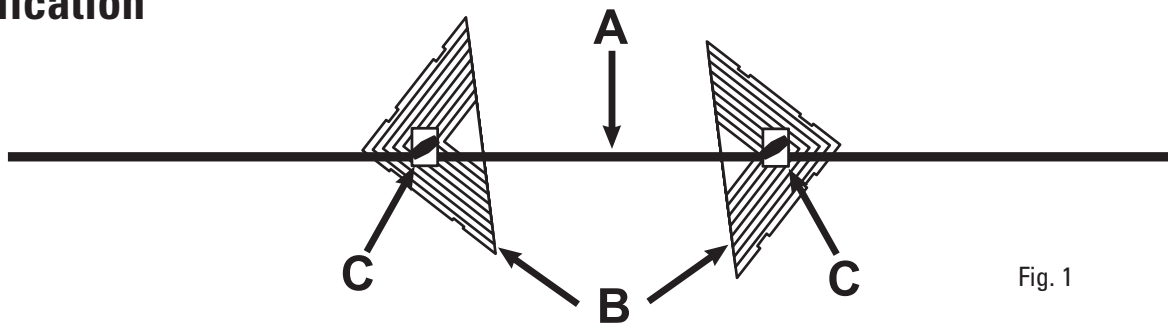


Fig. 1

1. Sizing Tool (Fig. 1)

- a) Arm – Holds sliding alignment triangles
- b) Alignment Triangles - Two alignment triangles which rotate on the sizing arm.
Measurements are printed in 1/4" = 1/8" (6mm = 3mm) on the Border Grid scale.
- c) Adjustment Knobs - Two adjustment knobs are used to tighten and loosen the adjustable triangles, allowing them to slide along the rod.

2. Border Guide (Fig. 2) – white measurement grid and an alignment corner stop on the underside.

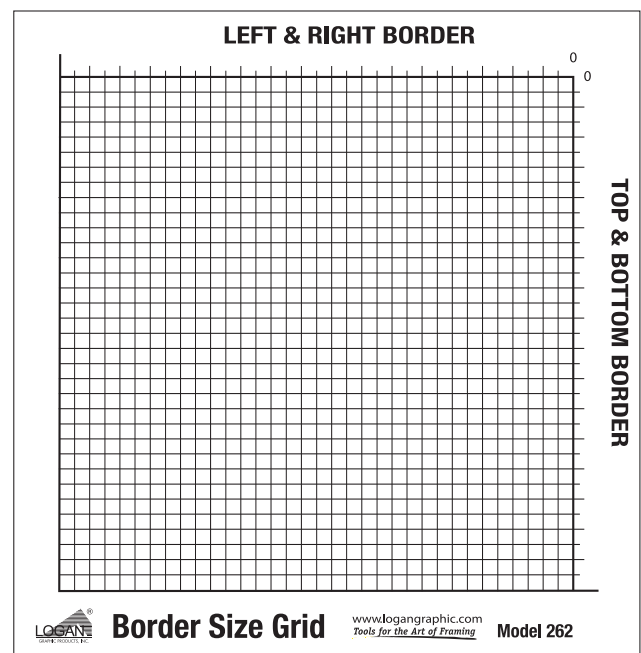


Fig. 2

Instructions

Sizing the Mat Board to the Frame

Step 1 - Loosen the adjustment knobs on both the alignment triangles and slide triangle A into the lower left hand corner of the frame taking care to make sure the edges of the alignment triangle fit snugly into the corner of the frame. Tighten knob until secure (do not over tighten). (Fig. 3).

Step 2 - Slide Triangle B into the upper right hand corner of the frame making sure that it also fits snugly into place. Tighten knob until secure. (Fig. 4).

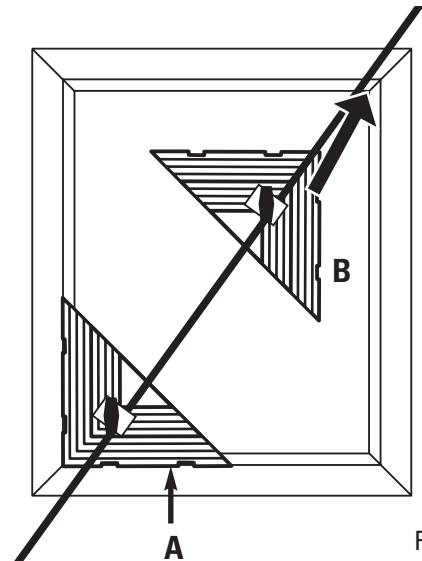


Fig. 3

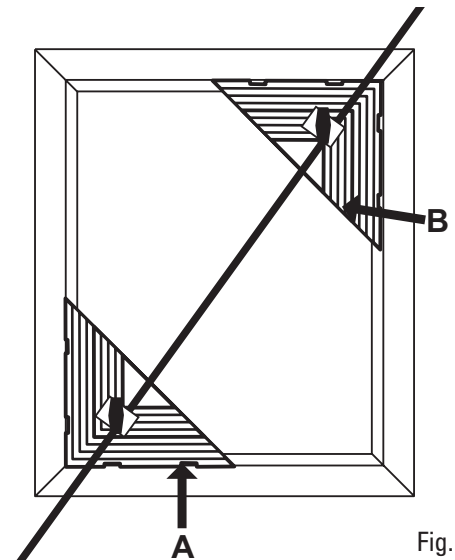


Fig. 4

* All reference to measurements are approximate only.

Instructions

Sizing the Mat Board to the Frame (continued)

Step 3 – Remove the sizing tool from the frame making sure the position of each Triangle does not change. Place Fit-N-Frame Border Guide on the back of the mat board by aligning Triangle A with the bottom left hand corner of the board. (Fig. 5)



(NOTE – THE MAT BOARD MUST BE SQUARE OR YOUR FINISHED MAT MAY NOT FIT PROPERLY).

Step 4 – Next draw a line within the two short recesses of Triangle B. These lines are the outside dimensions of the mat. (Fig. 5)

Step 5 – Using your Logan Mat Cutter and the Logan 701 Straight Cutter, cut the mat board on the lines drawn in Step 4. (Fig. 6)

You should now have a piece of sized mat board that fits perfectly into the back of the frame to be used.

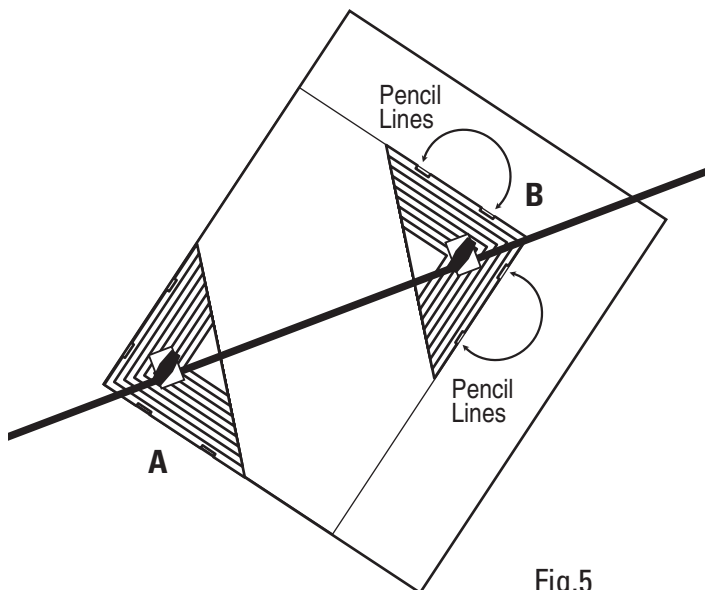


Fig.5

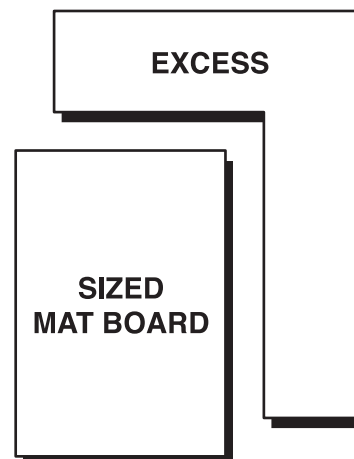


Fig.6

Instructions

Centering the Image

- Step 1** – Loosen the adjustment knobs on both the alignment triangles and slide Triangle A into the lower left hand corner of the image to be framed and tighten knob. (Fig. 7)



(* **Note:** You are working on the image surface so make sure that your hands and the tool are free of any dirt that could be deposited onto the image).

- Step 2** – Slide Triangle B to the upper right hand corner of the image and tighten knob. Place both Triangles so that the corners rest where you would like the mat board to begin. Anything inside of the two Triangles will be exposed.

- Step 3** – Working from the back of your mat board place the Border Guide in the upper right hand corner of the board. Border Guide has a built in 90 degree edge that will locate the Border Guide onto the corner of the Mat Board ensuring accuracy. (Fig. 8)



(***Note** make sure that you are orienting the frame, board and image in the same direction).

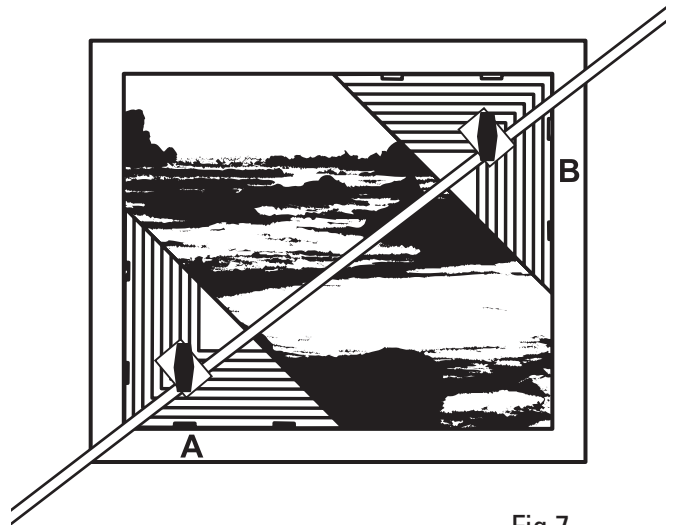


Fig.7

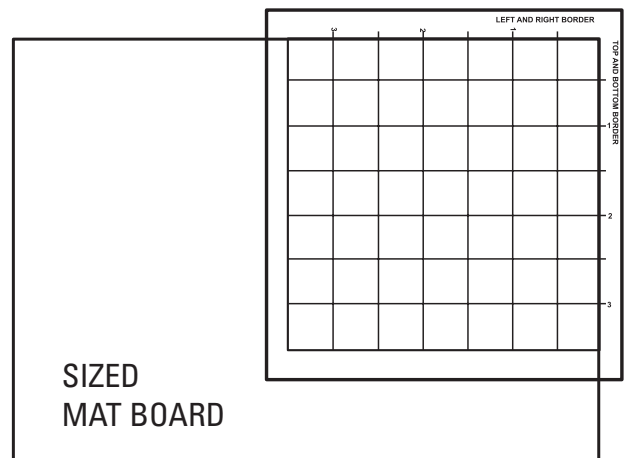


Fig.8

Instructions

Centering the Image (continued)

- Step 4** – Place the Fit-N-Frame Border Guide on the board and align Triangle A with the lower left hand corner. The upper right Triangle B now rests on top of the Border Grid.
- Step 5** – For the left and right borders on your mat board, trace the vertical edge of Triangle B to the scale along the top of the Border Guide. Write down this measurement. (Fig.9)
- Step 6** – For the top and bottom borders trace the horizontal edge of Triangle B to the scale on the right side of the Border Guide. Write down this measurement. *Note the scale on the Border Guide is 1"=1/2". Simply read the scale measurements as they are indicated on the Border Guide. (Fig. 10)
- Step 7** – Set up your Logan Mat Cutter to the measurements recorded. First cut the left and right borders. Re-set the mat cutter to the second measurement (top & bottom) and cut the top and bottom borders.

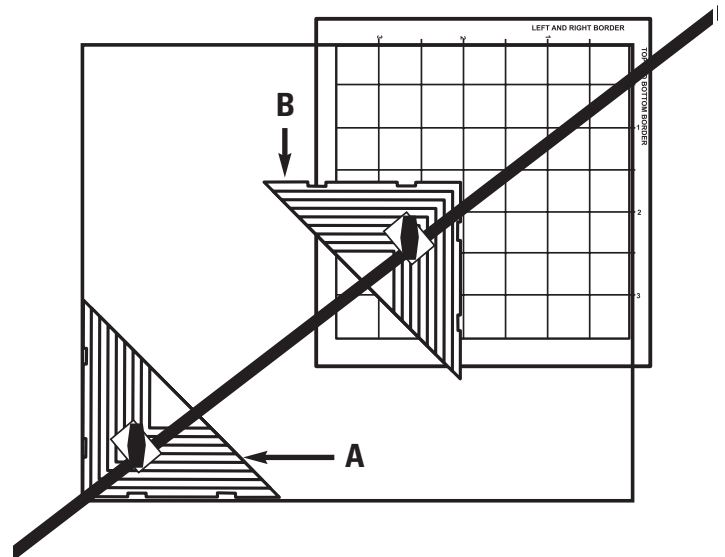
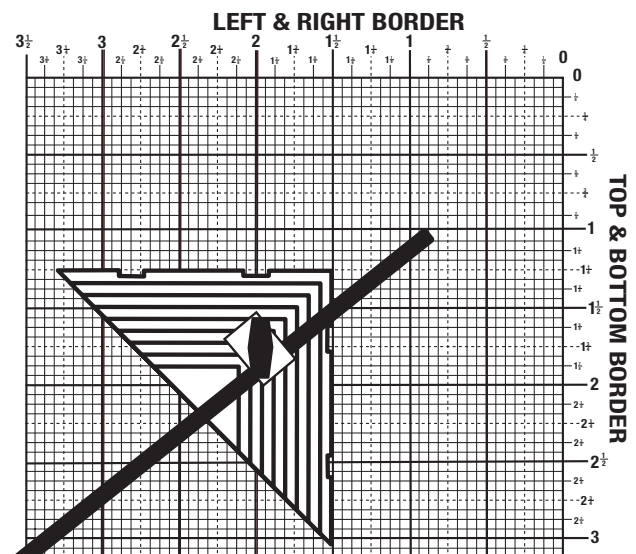


Fig.9



Example:
 1 1/2" Left & Right X 1 1/4" Top & Bottom
 (3.8cm Left & Right X 3.2cm Top & Bottom)

Fig.10

Congratulations! Your mat board should now fit perfectly into your frame and the opening for the image should be perfectly centered in the picture.

Helpful Hints and Extras

With certain types of images you may want more of the original material to show. Or, you may want unequal amounts of spacing around the image. This can be done by placing Triangle A on the bottom corner of the image and using a line on Triangle B. These spacer lines are divided in $1/4" = 1/8"$ (6mm = 3mm) increments. Follow the steps in **Centering the Image** above except instead of aligning the outside edge of Triangle B with the image, align the appropriate spacer line with the image. Now complete the steps as directed. This will give you the effect of adding more or less border as desired around the image. (Fig. 11)



Fig.11

If you want to do double matting (2 or more mat boards stacked in small steps), you would size two mats as described in *STEP 1, Sizing the Mat Board to the Frame* on Page 2. You then measure the second mat exactly the same way, except that you would choose one of the spacer lines on Triangle B. Cut the opening in the second mat first as you would when centering the image in the mat. (Fig. 12)

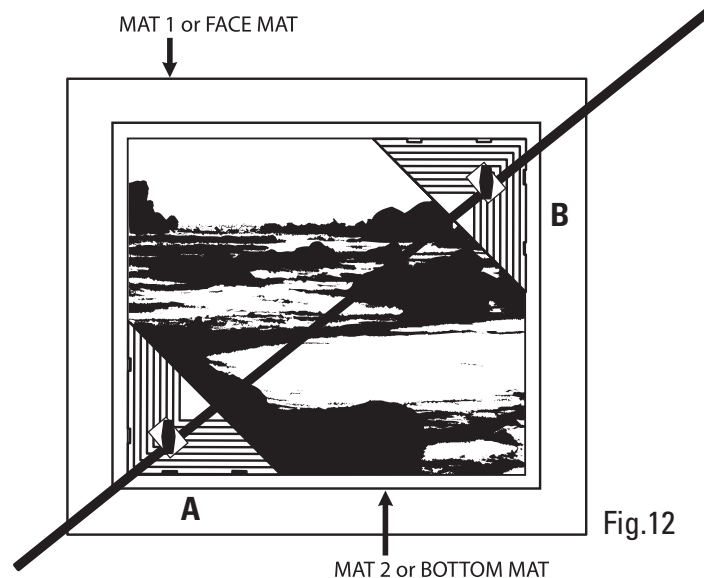


Fig.12

Now you need to cut the top/face mat using the outside edge of Triangle B measurements, without moving the triangle and write down the measurements from the Border Grid using the outside edges of the Triangle B. (Fig. 13)

This would then automatically create an additional border width half the size of the line space you chose on Triangle B. When the 2 mats are placed in the frame you have a perfect "double"!

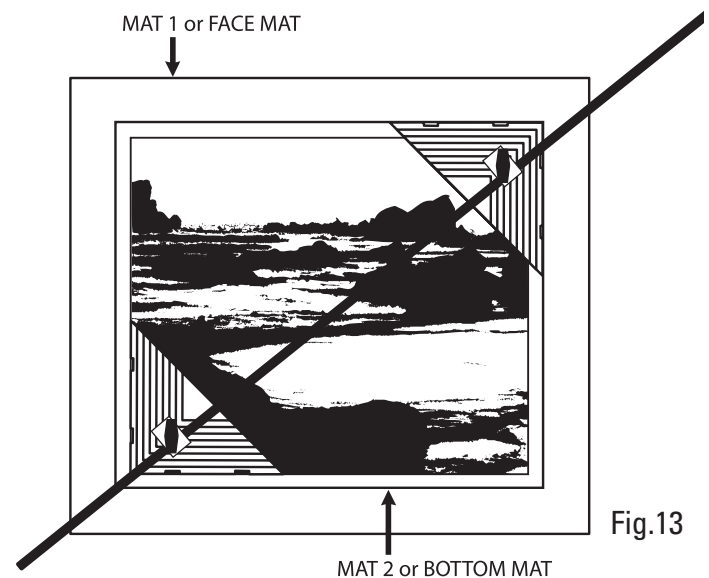


Fig.13

Also available from Logan...

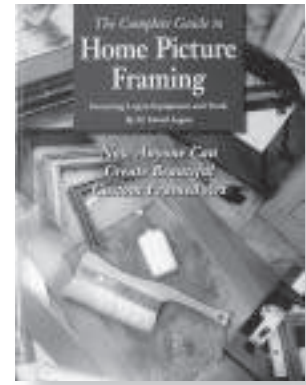


For more creative ideas in matting, pick up a copy of Logan's "How To Cut Mats" DVD by Vivian C. Kistler, CPF. - **Model 237-D.**



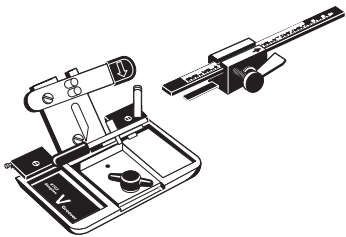
Also available are 3 different books on matting and framing also by Vivian C. Kistler, CPF.

Basic Mat Cutting - Model 238.
Mat Decoration Book- Model 240.
Do It Yourself Picture Framing- Model 241.



Complete and detailed directions featuring Logan's Picture Framing Tools System. Learn inside secrets from professional framers for creating your own custom framed art.

Home Picture Framing - Model F245



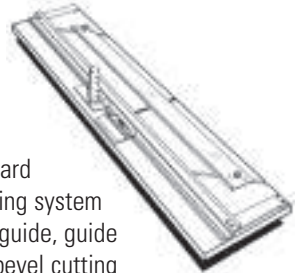
Simplex V-Groover offers a way to cut surface V-Grooves quickly and accurately with zero overcuts. Push-Pull action cuts V-Grooves right on the surface of the matboard eliminating any need for trimming or taping. Works entirely with stops.

Simplex V-Groover - Model 703.
Replacement Blades - Model 1258.

301-S Compact

Includes bevel and straight cutting heads and five extra blades. Features a 32" Board mounted mat cutting system with parallel mat guide, guide rail, straight and bevel cutting heads and creative matting instructions. Plus FREE set up and instruction DVD.

Replacement blade #270



450 INTERMEDIATE +

40" Board mounted mat cutting system with parallel mat guide, improved 90 degree squaring bar, colored board surface, improved guide rail with production stop and straight and bevel cutting heads. Includes creative matting instructions and includes five extra blades. Plus FREE set up and instruction DVD.

Replacement blade #270.



3-Step Oval and Circle Mat Cutter is easy to use, fast and portable. Cuts ovals or circles on the surface of the matboard using a patented 3-step mechanism for gradual increase of blade depth.

Converts from oval to circle cutter with a turn of a knob.

3-Step Oval & Circle Mat Cutter - Model 201.
Replacement blades - Model 324.

See your local Logan Dealer for availability or please check our 'where to buy' section on Logan's website www.logangraphic.com. Call at 800/331-6232 for a dealer near you.

Warranty

Logan Graphic Products, Inc. ("Logan") warrants the Fit-N-Frame Border Guide, to be free from defects in parts and workmanship for a period of one year from the date of original purchase. Logan warrants that it will either repair or replace, at its sole discretion, any necessary replacement parts found to be defective. Should the product need to be returned to Logan for repair or replacement parts, authorization for any return must come from Logan in writing. Costs of returning the product to Logan, including insurances, shall be borne by the purchaser. Logan shall not be liable for any damages or losses, incidental or consequential, direct or indirect, arising from the use of this product. This warranty extends only to the original purchaser and is not assignable or transferable. This warranty is in lieu of all other warranties, expressed or implied.



FR

Mode d'emploi

ENCADREMENT

GUIDE-BORDURE FIT-N-FRAME

Description

Le guide-bordure Fit-N-Frame a été conçu pour offrir une méthode facile et précise de mesurer le passe-partout et de positionner l'image dans des cadres carrés et rectangulaires. Le guide-bordure Fit-N-Frame satisfait deux besoins. Primo, le guide-bordure Fit-N-Frame permet de mesurer précisément votre passe-partout afin qu'il s'adapte à n'importe quel cadre carré ou rectangulaire (dimensions maximales : 24 po x 28 po). Secondo, il vous permet de centrer rapidement votre document sur le passe-partout et d'obtenir des bordures parfaites. Nul besoin de calculs savants ! Utilisez simplement la règle et le guide-bordure inclus pour une adaptation sur-mesure parfaite.

MODELE 262

*Brevet en instance

ITL

Manuale d'uso

INCORNICIATURA

LA GUIDA PER BORDI FIT-N-FRAME

Descrizione

La guida per bordi Fit-N-Frame è stata studiata per essere un metodo semplice ma preciso per dimensionare il cartoncino e posizionare la fotografia in cornici quadrate o rettangolari. La guida per bordi Fit-N-Frame ha due applicazioni. Per prima cosa, utilizzate la guida Fit-N-Frame per dimensionare con precisione il cartoncino da inserire in una cornice quadrata o rettangolare (cornici fino a 24" x 28"). Quindi, centrate la vostra immagine nel cartoncino per avere bordi perfetti su ogni lato. Niente calcoli o frazioni complicate! È sufficiente utilizzare il righello incluso e la guida per bordi per avere un cartoncino delle dimensioni desiderate.

MODELLO 262

*In attesa di brevetto

GR

Anleitung

RAHMUNG

FIT-N-FRAME BORDER GUIDE

Beschreibung

Mit dem Fit-N-Frame Border Guide können Passepartoutkartons einfach und genau abgemessen und Bilder in quadratischen oder rechteckigen Bilderrahmen positioniert werden. Der Fit-N-Frame Border Guide wird auf zwei Arten eingesetzt. Messen Sie zunächst anhand des Fit-N-Frame Border Guide den Passepartoutkarton entsprechend Ihrem quadratischen oder rechteckigen Rahmen ab (Rahmengröße bis max. 60 x 70 cm). Wenn Sie dann das Bild auf dem Passepartoutkarton zentrieren, stimmt die Randgröße auf allen Seiten. Sie sparen sich Gleichungen und Bruchrechnung! Um den Karton genau abzumessen, verwenden Sie einfach die beigefügte Führungsstange und die Randschablone.

MODELL 262

*Patent beantragt

ESP

Manual de instrucciones

ENMARCADO DE CUADROS

GUÍA DE BORDES PARA MONTAJE EN BASTIDOR GUIDE

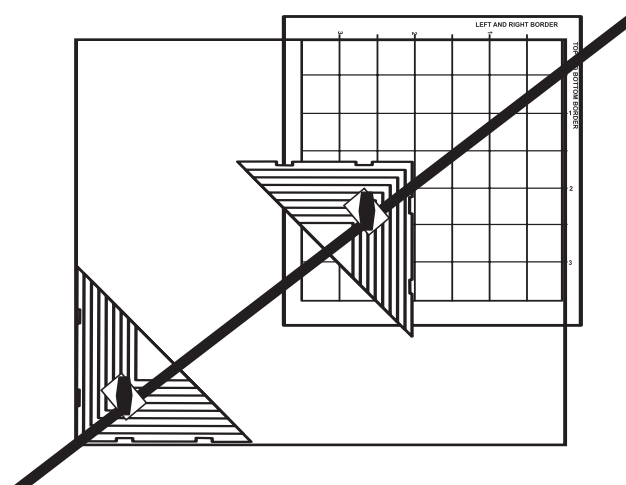
Description

Le guide-bordure Fit-N-Frame a été conçu pour offrir une méthode facile et précise de mesurer le passe-partout et de positionner l'image dans des cadres carrés et rectangulaires. Le guide-bordure Fit-N-Frame satisfait deux besoins. Primo, le guide-bordure Fit-N-Frame permet de mesurer précisément votre passe-partout afin qu'il s'adapte à n'importe quel cadre carré ou rectangulaire (dimensions maximales : 24 po x 28 po). Secondo, il vous permet de centrer rapidement votre document sur le passe-partout et d'obtenir des bordures parfaites. Nul besoin de calculs savants ! Utilisez simplement la règle et le guide-bordure inclus pour une adaptation sur-mesure parfaite.

MODELO 262

*Patente utilizada para

LOGANTM
GRAPHIC PRODUCTS, INC.
Tools for the Art of Framing
www.logangraphic.com



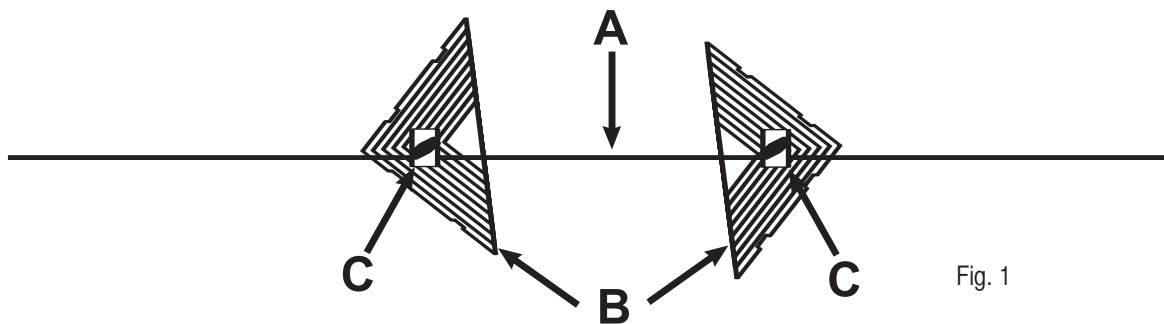


Fig. 1

Identification

FR

1. Outil de dimensionnement (Fig. 1)

- a) Bras – maintient les triangles d'alignement coulissants.
- b) Triangles d'alignement – deux triangles d'alignement qui pivotent sur le bras de dimensionnement.

Les mesures sont imprimées à l'échelle 1/4 po = 1/8 po sur le gabarit de bordure.

- c) Molettes de réglage – deux molettes de réglage permettent de serrer et de desserrer les triangles d'alignement pour qu'ils puissent coulisser sur la tige.

- 2. Guide-bordure (Fig. 2) – grille de mesure blanche avec espacements des lignes de 1/16 po et butée d'alignement de coin au verso.

Beschreibung

GR

1. Messwerkzeug (Abb. 1)

- a) Stange - Hält die beweglichen Ausrichtungsdreiecke
- b) Ausrichtungsdreiecke - Zwei auf der Messstange drehbare Ausrichtungsdreiecke

Die Randschablone ist in einem Maßstab von 1 : 2 (1/4" = 1/8") bedruckt.

- c) Einstellknöpfe - Anhand der beiden Einstellknöpfen werden die Ausrichtungsdreiecke festgezogen bzw. gelöst, sodass sie auf der Stange verschoben werden können.

- 2. Randschablone (Abb. 2) - Ein weißes Raster mit parallelen Linien im Abstand von 1/16" (Zoll) sowie ein Anschlagpunkt für die Eckeinstellung auf der Unterseite.

Identificazione

ITL

1. Attrezzo per dimensionare (Fig. 1)

- a) Braccio: fissa i triangoli scorrevoli di allineamento
- b) Triangoli di allineamento: due triangoli di allineamento che ruotano sul braccio per il dimensionamento.

Le misure sono stampate in 1/4" = 1/8" sul righello della griglia per bordi.

- c) Manopole di regolazione: le due manopole di regolazione servono per serrare e allentare la posizione dei triangoli per farli scorrere lungo l'asta.

- 2. Guida per bordi (Fig. 2): griglia di misurazione bianca con linee distanziate in multipli di 1/16" e un fermo angolare di allineamento sul lato inferiore.

Identificación

ESP

1. Herramienta de medición (Fig. 1)

- a) Brazo: sostiene triángulos de alineación deslizables.
- b) Triángulos de alineación: dos triángulos de alineación que rotan en el brazo de medición.

Las medidas están impresas en la escala de la cuadrícula de bordes en 1/4" = 1/8".

- c) Botones de ajuste: se utilizan dos botones de ajuste para tensar y aflojar los triángulos de ajuste permitiendo que se deslicen por la varilla.

- 2. Guía de bordes (Fig. 2): grilla de medición en blanco con líneas espaciadas que aumenta de a 1/16" y un tope de alineación en la esquina sobre la parte inferior.

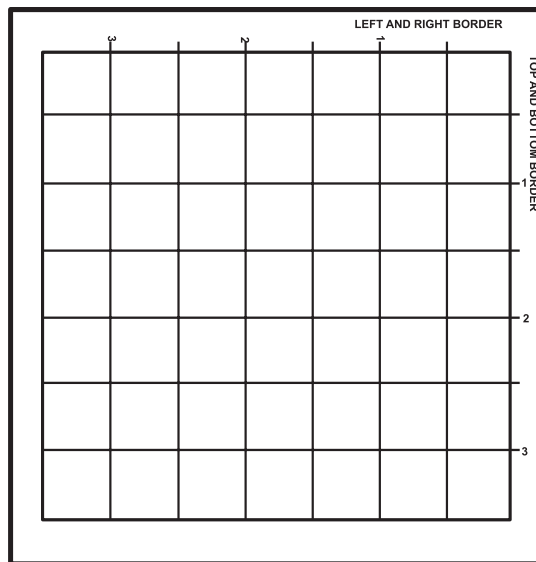


Fig. 2

Instructions

FR

Dimensionnement du passe-partout en fonction du cadre

Étape 1 – Desserrez les molettes de réglage des deux triangles d'alignement et glissez le triangle A dans l'angle inférieur gauche du cadre en prenant soin que les bords du triangle d'alignement s'adaptent bien dans l'angle du cadre. Serrez fermement la molette (mais sans excès). (Fig. 3).

Étape 2 – Glissez le triangle B dans l'angle supérieur droit du cadre en s'assurant qu'il se loge bien en place. Serrez fermement la molette. (Fig. 4).

Anleitung

GR

Zuschneiden des Passepartoutkartons entsprechend der Rahmengröße

Schritt 1 - Lösen Sie die Einstellknöpfe auf beiden Ausrichtungsdreiecken und schieben Sie Dreieck A in die untere rechte Ecke des Rahmens. Achten Sie dabei darauf, dass die Kanten des Dreiecks ganz in die Rahmenecke geschoben werden. Ziehen Sie den Knopf fest (nicht überziehen). (Abb. 3)

Schritt 2 - Schieben Sie Dreieck B in die obere rechte Ecke des Rahmens. Achten Sie auch hier darauf, dass die Kanten ganz in die Rahmenecke geschoben werden. Ziehen Sie den Knopf fest. (Abb. 4)

Istruzioni

ITL

Come dimensionare il cartoncino per la cornice

Procedura 1 – allentare le manopole di regolazione sui due triangoli di allineamento e far scorrere il triangolo A verso l'angolo inferiore sinistro della cornice facendo attenzione che i bordi del triangolo coincidano perfettamente con l'angolo della cornice. Serrare la manopola perché tenga (non serrarla eccessivamente) (Fig. 3).

Procedura 2 – far scorrere il triangolo B nell'angolo superiore destro della cornice facendo attenzione che anch'esso coincida con l'angolo. Serrare la manopola perché tenga (Fig. 4).

Instrucciones

ESP

Cómo medir el panel con el marco

Paso 1: afloje los botones de ajuste en ambos triángulos de alineación y deslice el Triángulo A hacia la esquina inferior izquierda del marco cuidando que los bordes del triángulo de alineación se ajusten perfectamente a la esquina del marco. Ajuste el botón hasta que quede firme, sin excederse. (Fig. 3).

Paso 2: deslice el triángulo B hasta la esquina superior derecha del marco asegurando que también se ajuste perfectamente en el lugar. Ajuste el botón hasta que quede firme. (Fig. 4).

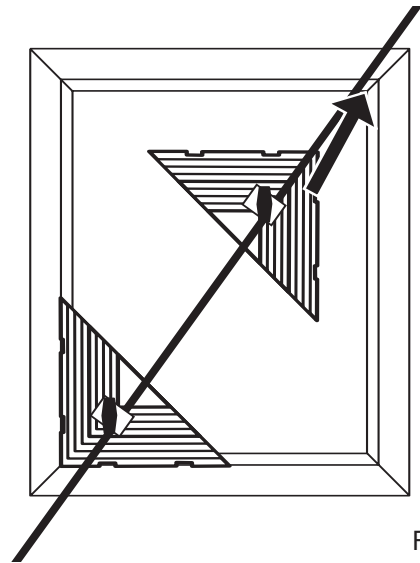


Fig. 3

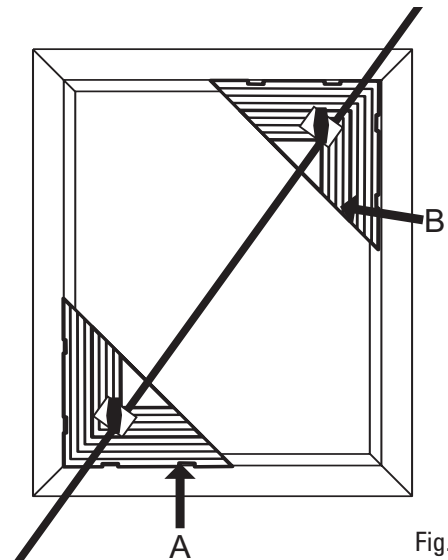


Fig. 4

Instructions

FR

Dimensionnement du passe-partout (suite)

Étape 3 – Retirez l’outil de dimensionnement du cadre et assurez-vous que la position de chaque triangle n’a pas changée. Placez le guide-bordure Fit-N-Frame au dos du passe-partout en alignant le triangle A sur l’angle inférieur gauche du passe-partout. (Fig. 5)



(REMARQUE : LE PASSEPARTOUT DOIT ÊTRE À L'ÉQUERRE, SINON IL RISQUE DE NE PAS S'ADAPTER CORRECTEMENT).

Étape 4 – Tracez ensuite une ligne à l’intérieur des deux petits renforcements du triangle B. Ces lignes constituent les dimensions extérieures du passe-partout. (Fig. 5)

Étape 5 – À l’aide du couteau à passe-partout Logan et du couteau droit à passe-partout Logan 701, coupez le passe-partout le long des lignes tracées à l’étape 4. (Fig. 6)

Vous devriez avoir maintenant un passe-partout sur mesure qui s’adapte parfaitement au dos du cadre à utiliser.

Anleitung

GR

Zuschneiden des Passepartoutkartons entsprechend der Rahmengröße (Fortsetzung)

Schritt 3 - Nehmen Sie das Messwerkzeug vom Rahmen und achten Sie dabei darauf, dass die Dreiecke nicht verrutschen. Legen Sie den Fit-N-Frame Border Guide auf die Rückseite des Passepartoutkartons, indem Sie Dreieck A auf die untere linke Ecke des Kartons auflegen. (Abb. 5)



(HINWEIS - DER PASSEPARTOUTKARTON MUSS RECHTECKIG SEIN, DA SONST DER AUSGESCHNITTENE KARTON EVENTUELL NICHT KORREKT PASST.)

Schritt 4 - Ziehen Sie jetzt eine Linie in den beiden flachen Aussparungen von Dreieck B. Diese Linien sind die Außenkante des Passepartouts. (Abb. 5)

Schritt 5 - Schneiden Sie mit dem Logan Mat Cutter und Logan 701 Straight Cutter den Passepartoutkarton auf den in Schritt 4 aufzeichneten Linien. (Abb. 6)

Sie sollten jetzt einen Passepartoutkarton haben, der genau in den zu verwendenden Rahmen passt. utiliser.

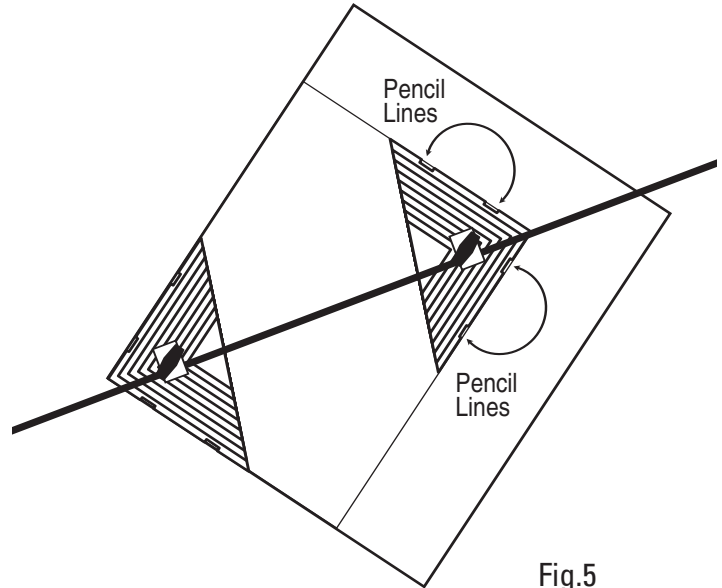


Fig.5

Istruzioni

ITL

Come dimensionare il cartoncino per la cornice (continua)

Procedura 3 - rimuovere l’attrezzo per dimensionare dalla cornice controllando che la posizione dei due triangoli non cambi. Posizionare la guida per bordi Fit-N-Frame sul retro del cartoncino allineando il triangolo A con l’angolo inferiore sinistro del cartoncino (Fig. 5).



(NOTA: IL CARTONCINO DEVE ESSERE SQUADRATO PERCHÉ IN CASO CONTRARIO IL CARTONCINO FINITO NON SI ADATTEREBBE CORRETTAMENTE ALLA CORNICE).

Procedura 4 - tracciare una riga all’interno dei due incavi del triangolo B. Queste righe indicano le dimensioni esterne del cartoncino (Fig. 5).

Procedura 5 – con la taglierina per passepartout Logan e la taglierina per tagli diritti Logan 701, tagliare il cartoncino in corrispondenza delle righe tracciate nella procedura 4 (Fig. 6).

Ne risulta un cartoncino di dimensioni che si adattano perfettamente al retro della cornice da montare.

Instrucciones

ESP

Cómo medir los bordes del panel con el marco (continuación)

Paso 3: retire la herramienta de medición del marco asegurándose de que la posición de cada triángulo no cambie. Coloque la Guía de bordes para montaje en bastidor en la parte posterior del panel al alinear el Triángulo A con la esquina inferior izquierda del panel. (Fig. 5)



(NOTA: EL PANEL DEBE SER CUADRADO O EL DISEÑO TERMINADO NO SE AJUSTARÁ CORRECTAMENTE).

Paso 4: luego dibuje una línea dentro de las dos ranuras del Triángulo B. Estas líneas están fuera de las dimensiones del panel. (Fig. 5)

Paso 5: con el cortador de placas Logan y el cortador recto Logan 701, corte el panel por las líneas dibujadas en el paso 4. (Fig. 6)

Ahora tendrá una parte del panel medida que se ajusta perfectamente a la parte posterior del marco que se utilizará.

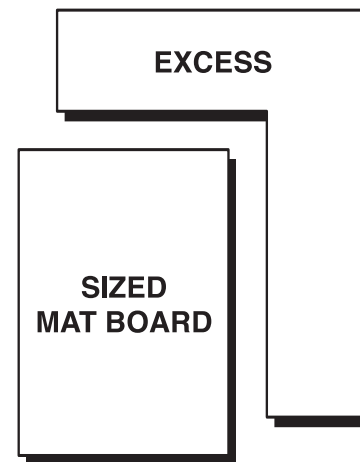


Fig.6

Instructions

FR

Centrage de l'image

Étape 1 – Desserrez les molettes de réglage des deux triangles d'alignement et glissez le triangle A dans l'angle inférieur gauche de l'image à encadrer, puis serrez la molette. (Fig. 7)



(*REMARQUE : VOUS TRAVAILLEZ SUR LA SURFACE DE L'IMAGE ; ASSUREZ-VOUS QUE VOS MAINS ET L'OUTIL SONT EXEMPTS DE SALETÉS

QUI POURRAIENT SE DÉPOSER SUR L'IMAGE).

Étape 2 – Glissez le triangle B dans l'angle supérieur droit de l'image et serrez la molette. Placez les deux triangles de manière à ce que les angles soient situés à l'endroit précis où le passe-partout doit commencer. Tout ce qui est à l'intérieur des deux triangles sera exposé. (Fig. 8)

Étape 3 – Depuis le dos du passe-partout, placez le guide-bordure dans l'angle supérieur droit du passe-partout. Le guide-bordure comporte un bord à 90° intégré permettant de positionner précisément le guide-bordure dans l'angle du passe-partout.



(*REMARQUE : VEILLEZ À ORIENTER LE CADRE, LE PASSE-PARTOUT ET L'IMAGE DANS LA MÊME DIRECTION).

Anleitung

GR

Zentrieren des Bildes

Schritt 1 - Lösen Sie die Einstellknöpfe an beiden Ausrichtungsdreiecken, schieben Sie Dreieck A in die linke untere Ecke des zu rahmenden Bildes und ziehen Sie den Knopf fest. (Abb. 7)



(* HINWEIS: DA SIE AUF DER BILDOBERFLÄCHE ARBEITEN, SOLLTEN SIE DARAUF ACHTEN, DASS HÄNDE UND WERKZEUG FREI VON

SCHMUTZ SIND, DER AUF DAS BILD GELANGEN KÖNNTE.)

Schritt 2 - Schieben Sie Dreieck B in die obere rechte Ecke des Bildes und ziehen Sie den Knopf fest. Legen Sie beide Dreiecke so, dass die Ecken dort aufliegen, wo das Passepartout beginnen soll. Die gesamte Fläche innerhalb der beiden Dreiecke wird sichtbar sein. (Abb. 8)

Schritt 3 - Arbeiten Sie von der Rückseite des Passepartoutkartons aus und legen Sie die Randschablone in die obere rechte Ecke des Kartons. Die rechteckige Kante der Randschablone passt sich der Ecke des Passepartoutkartons an und gewährleistet so die Genauigkeit der Messung.



(*HINWEIS: ACHTEN SIE DARAUF, DASS SIE DEN RAHMEN, DEN KARTON UND DAS BILD IN DERSELBEN RICHTUNG AUSRICHTEN.)

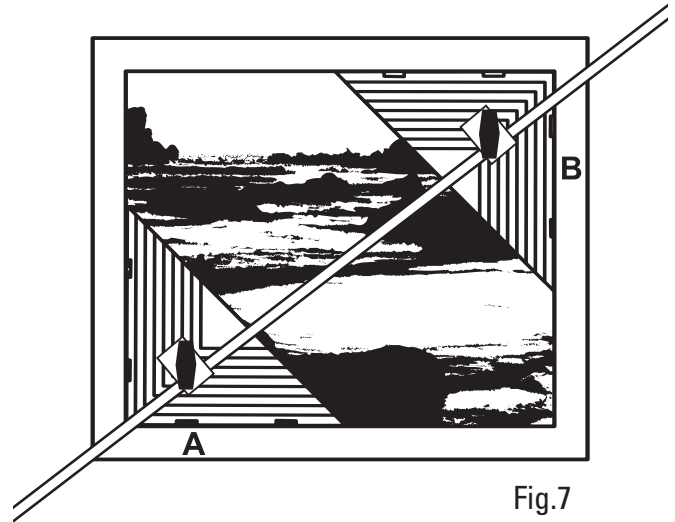


Fig.7

Istruzioni

ITL

Come centrare la fotografia

Procedura 1 - allentare le manopole di regolazione su entrambi i triangoli di allineamento e far scorrere il triangolo A nell'angolo inferiore sinistro della fotografia da incorniciare, quindi serrare la manopola (Fig. 7).



(*NOTA: DATO CHE SI LAVORA SULLA SUPERFICIE DELLA FOTOGRAFIA, ASSICURARSI CHE LE MANI E GLI ATTREZZI

SIANO PULITI PER EVITARE CHE LA FOTOGRAFIA SI SPORCHI).

Procedura 2 - far scorrere il triangolo B nell'angolo superiore destro della fotografia e serrare la manopola. Posizionare i due triangoli in modo che gli angoli appoggino nel punto in cui si desidera inizi il bordo del cartoncino. La parte interna ai due triangoli risulterà esposta (Fig. 8).

Procedura 3 - sul retro del cartoncino, posizionare la guida per bordi nell'angolo superiore destro del cartoncino. La guida per bordi presenta un angolo di 90° che consente di posizionarla sull'angolo del cartoncino per ottenere la massima precisione. (*NOTA: ASSICURARSI DI ORIENTARE LA CORNICE, IL CARTONCINO E LA FOTOGRAFIA NELLA STESSA DIREZIONE).

Instrucciones

ESP

Cómo centrar la imagen

Paso 1: afloje los botones de ajuste en ambos triángulos de alineación y deslice el Triángulo A hacia la esquina inferior izquierda de la imagen que se enmarcará y ajuste el botón. (Fig. 7)



(*NOTA: ESTÁ TRABAJANDO EN LA SUPERFICIE DE LA IMAGEN, POR LO TANTO, ASEGÚRESE DE QUE SUS MANOS Y LA HERRAMIENTA

ESTÉN LIMPIAS Y PUEDAN APOYARSE SOBRE LA IMAGEN).

Paso 2: deslice el Triángulo B hacia la esquina superior derecha de la imagen y ajuste el botón. Coloque ambos triángulos de manera que las esquinas se apoyen en el lugar en que le gustaría que comience el panel. Todo lo que esté dentro de los dos triángulos quedará al descubierto. (Fig. 8)

Paso 3: en la parte posterior del panel, coloque la Guía de bordes en la esquina superior derecha del panel. La Guía de bordes se construyó con un borde a 90 grados que ubicará la Guía de bordes en la esquina del panel para asegurar su precisión.

(*TENGA EN CUENTA UBICAR EL MARCO, EL PANEL Y LA IMAGEN EN LA MISMA DIRECCIÓN).

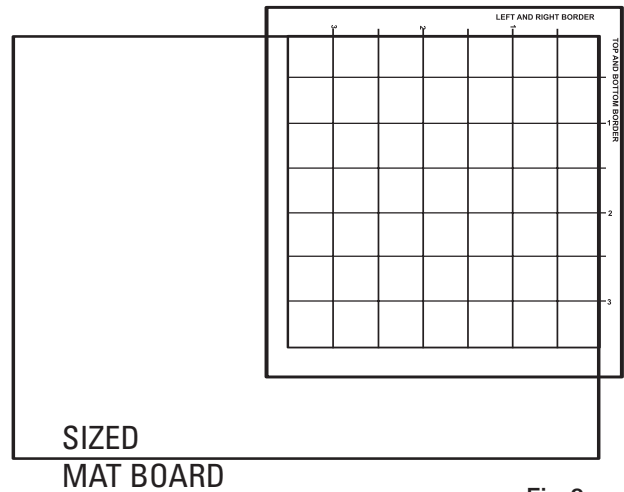


Fig.8

Instructions

FR

Centrage de l'image (suite)

Étape 4 – Placez le guide-bordure Fit-N-Frame sur le passe-partout et alignez le triangle A sur l'angle inférieur gauche. Le triangle B supérieur droit est maintenant positionné au dessus du gabarit de bordure.

Étape 5 – Pour les bordures droite et gauche de votre passe-partout, tracez l'arête verticale du triangle B en fonction de l'échelle le long de l'arête supérieure du guide-bordure. Prenez note de cette mesure. (Fig. 9)

Étape 6 – Pour les bordures supérieure et inférieure, tracez l'arête horizontale du triangle B en fonction de l'échelle sur côté droit du guide-bordure. Prenez note de cette mesure.



***REMARQUE : L'ÉCHELLE DU GUIDE-BORDURE EST 1 PO = 1/2 PO. LISEZ SIMPLEMENT LES VALEURS D'ÉCHELLES TELLES QU'INDIQUÉES SUR LE GUIDE-BORDURE. (FIG. 10)**

Étape 7 – Réglez votre couteau à passe-partout Logan en fonction des valeurs mesurées. Coupez tout d'abord les bordures gauche et droite. Réglez à nouveau le couteau en fonction de la deuxième mesure (haut et bas) et coupez les bordures supérieure et inférieure.

Félicitations ! Votre passe-partout devrait maintenant s'adapter parfaitement au cadre et l'ouverture pour l'image devrait être parfaitement centrée sur elle.

Istruzioni

ITL

Come centrare la fotografia (continua)

Procedura 4 - posizionare la guida per bordi Fit-N-Frame sul cartoncino e allineare il triangolo A con l'angolo inferiore sinistro. Il triangolo B, in alto a destra, appoggia sulla parte superiore della griglia per bordi.

Procedura 5 - per i bordi sinistro e destro, tracciare sul cartoncino il bordo verticale del triangolo B sul righello lungo la parte superiore della guida per bordi. Annotare questa misura (Fig. 9).

Procedura 6 - per i bordi superiore e inferiore tracciare il bordo orizzontale del triangolo B sul righello lungo il lato destro della guida per bordi. Annotare questa misura.



***NOTA: IL RIGHELLO SULLA GUIDA PER BORDI È 1"=1/2". È SUFFICIENTE LEGGERE LE MISURE SUL RIGHELLO INDICATE SULLA GUIDA PER BORDI (FIG. 10).**

Procedura 7 - impostare la taglierina per passepartout Logan in base alle misure annotate. Tagliare prima i bordi destro e sinistro. Reimpostare la taglierina in base alla seconda misura annotata (alto e basso) e tagliare il bordo superiore e quello inferiore.

Congratulazioni! Il cartoncino ora si adatta perfettamente alla cornice e la fotografia appare perfettamente centrata nel passepartout.

Anleitung

GR

Zentrieren des Bildes (Fortsetzung)

Schritt 4 - Legen Sie den Fit-N-Frame Border Guide am Karton an und richten Sie Dreieck A an der linken unteren Ecke aus. Das obere rechte Dreieck B liegt nun an der Oberseite der Randschablone.

Schritt 5 - Ziehen Sie für den linken und rechten Rand auf dem Passepartout eine Linie entlang der senkrechten Kante von Dreieck B bis zum Messbereich am oberen Rand der Randschablone. Schreiben Sie sich diese Abmessung auf. (Abb.9)

Schritt 6 - Ziehen Sie für den oberen und unteren Rand eine Linie entlang der horizontalen Kante von Dreieck B bis zur rechten Seite der Randschablone. Schreiben Sie sich diese Abmessung auf.



***BEACHTEN SIE, DASS DER MAßSTAB DER RANDSCHABLONE 1 : 2 BETRÄGT (1"=1/2"). LESEN SIE GANZ EINFACH DIE**

MAßE SO AB, WIE SIE AUF DER RANDSCHABLONE ANGEZEIGT SIND. (ABB. 10)

Schritt 7 - Stellen Sie den Logan Mat Cutter auf die notierten Werte ein. Schneiden Sie zunächst den linken und rechten Rand. Stellen Sie den Passepartoutschneider auf den zweiten Wert (oben und unten), und schneiden Sie den oberen und unteren Rand.

Herzlichen Glückwunsch! Das Passepartout sollte jetzt perfekt in den Rahmen passen, und die Bildöffnung sollte ganz genau über der Mitte des Bildes liegen.

Instrucciones

ESP

Cómo centrar la imagen (continuación)

Paso 4: coloque el Guía de bordes para montaje en bastidor en el panel y alinee el Triángulo A con la esquina inferior izquierda. La parte superior derecha del Triángulo B se apoya sobre la cuadrícula del borde.

Paso 5: para el borde izquierdo y derecho del panel trace el borde vertical del Triángulo B hacia la escala a lo largo de la parte superior de la guía de borde. Anote esta medida. (Fig.9)

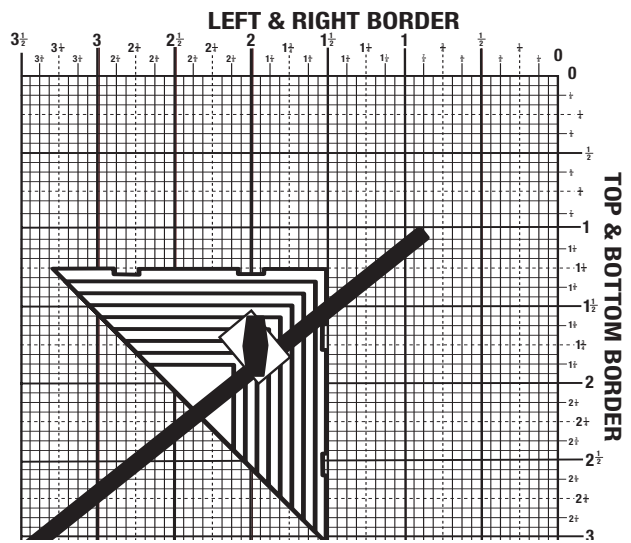
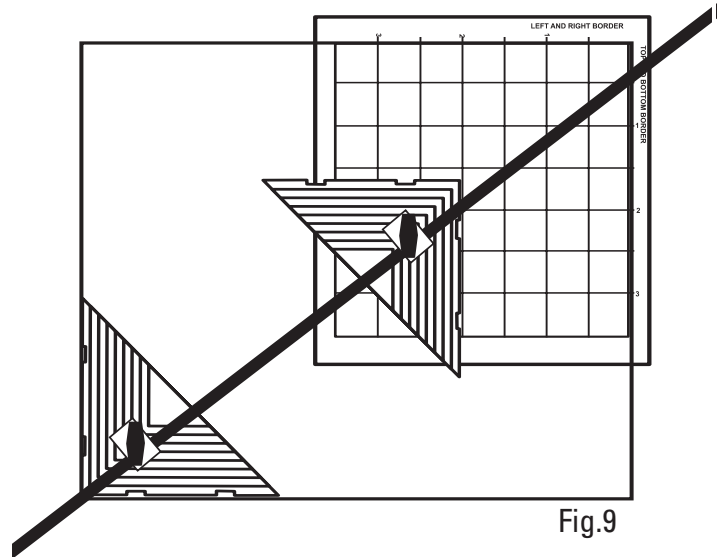
Paso 6: para los bordes superiores e inferiores trace el borde horizontal del triángulo B hacia la escala en el lateral derecho de la guía de borde. Anote esta medida.



***TENGA EN CUENTA QUE LA ESCALA EN LA GUÍA DE BORDES ES 1"=1/2". SIMPLEMENTE LEA LAS MEDIDAS DE LA ESCALA DEL MODO EN QUE SE INDICAN EN LA GUÍA DE BORDES. (FIG. 10)**

Paso 7: ajuste el cortador de paneles Logan en las medidas registradas. Primero corte los bordes izquierdo y derecho. Vuelva a ajustar el cortador de paneles con la segunda medida (parte inferior y posterior) y luego corte estos bordes.

¡Felicitaciones! El panel ahora se ajusta perfectamente dentro del marco y el orificio para la imagen debería estar perfectamente centrado en el cuadro.



Exemple :
1-1/2 po gauche et droite x 1-1/4 po haut et bas

Beispiel:
1 1/2" links u. rechts x 1 1/4" oben u. unten

Esempio:
1 1/2" destra e sinistra X 1 1/4" alto e basso

Ejemplo:
1 1/2" izquierda y derecha X 1 1/4" superior e inferior

Conseils utiles et extras

FR

Il peut être préférable de montrer davantage du matériau original avec certains types d'images. Ou vous pouvez souhaiter des espaces inégaux autour de l'image. Ceci est réalisable en plaçant le triangle A dans l'angle inférieur de l'image et en utilisant une ligne du triangle B. L'espacement de ces lignes est à l'échelle 1/4 po = incréments de 1/8 po. Reprenez les étapes de la section Centrage de l'image ci-dessus, mais au lieu d'aligner l'arête extérieure du triangle B avec l'image, alignez la ligne d'espacement appropriée avec l'image. Réalisez maintenant les étapes comme indiqué. Cette méthode vous permet de moduler l'épaisseur de la bordure autour de l'image selon votre goût. (Fig. 11)

Si vous souhaitez un double passe-partout (2 ou plusieurs passe-partout empilés par petites étapes) : Dimensionnez deux passe-partout comme décrit à l'étape 1, Dimensionnement du passe-partout en fonction du cadre, page 2. Mesurez ensuite le deuxième passe-partout de la même façon, exception faite que vous choisirez l'une des lignes d'espacement du triangle B. Découpez tout d'abord l'ouverture du deuxième passe-partout comme vous le feriez pour centrer l'image dans le passe-partout. (Fig. 12)

Découpez ensuite le passe-partout supérieur en utilisant le bord extérieur du triangle B, sans bouger le triangle, puis prenez note des mesures du gabarit de bordure en utilisant les bords extérieurs du triangle B. (Fig. 13)

Ceci a pour effet de créer automatiquement une bordure supplémentaire d'une épaisseur égale à la moitié de la ligne d'espacement choisie pour le triangle B. Lorsque les deux passe-partout sont placés dans le cadre, vous obtenez alors un « double » parfait !

Nützliche Tipps

GR

Bei bestimmten Bildtypen ist es ratsam, etwas mehr Material sichtbar zu lassen. Alternativ kann auch um das Bild herum verschieden viel Platz gelassen werden. Legen Sie dazu Dreieck A an der unteren Ecke des Bildes an und ziehen Sie eine Linie zu Dreieck B. Die Linien liegen im Abstand von 1/4" = 1/8" zueinander. Befolgen Sie die Schritte unter „Zentrieren des Bildes“, statt jedoch die Außenkante von Dreieck B am Bild auszurichten, richten Sie die entsprechende Abstandslinie am Bild aus. Führen Sie jetzt die Schritte wie vorgegeben aus. Auf diese Weise erhalten Sie je nach Wunsch mehr oder weniger Rand um das Bild. (Abb. 11)

Wenn Sie ein doppeltes Passepartout möchten (zwei oder mehr leicht abgestufte Passepartoutkartons übereinander), messen Sie zwei Kartons, wie in Schritt 1 „Abmessen des Passepartoutkartons“ auf Seite 2 beschrieben, aus. Messen Sie dann den zweiten Karton auf dieselbe Art und Weise, aber wählen Sie eine der Abstandslinien auf Dreieck B aus. Schneiden Sie die Öffnung des zweiten Kartons zuerst aus, genau wie Sie es für die Zentrierung des Bildes auf dem Karton tun würden. (Abb. 12)

Nun schneiden Sie den oberen Karton aus, indem Sie die äußeren Kante der Abmessungen für Dreieck B verwenden, ohne das Dreieck zu verschieben, und die Werte des Randrasters notieren, indem Sie die Außenkanten von Dreieck B verwenden. (Abb. 13)

So stellen Sie automatisch einen weiteren Rand mit der halben Größe dem auf Dreieck B gewählten Linienabstand her. Sobald Sie dann die beiden Kartons in den Rahmen legen, haben Sie ein perfektes „Doppel“!



Fig.11

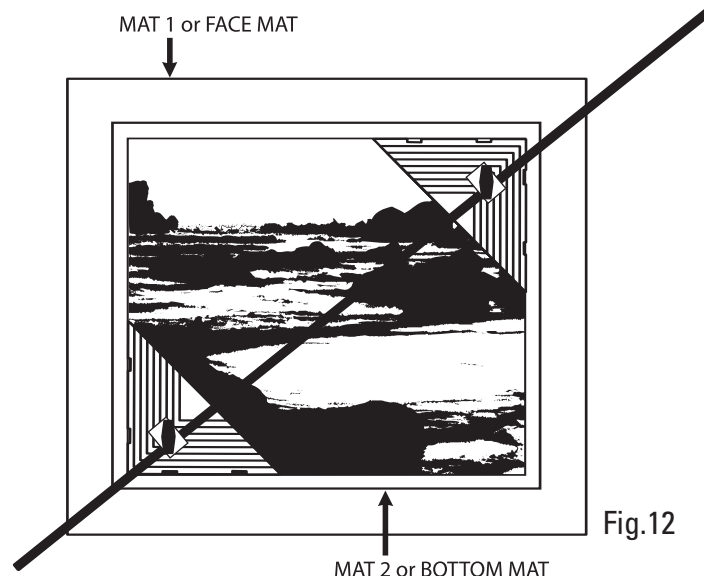


Fig.12

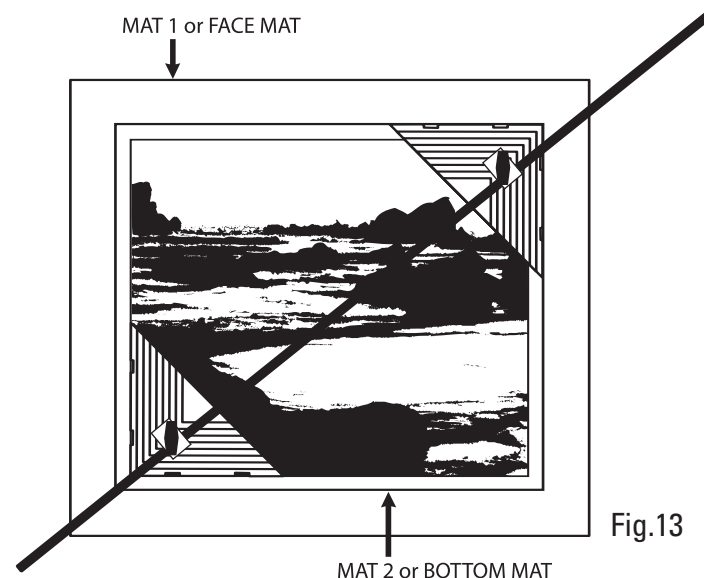


Fig.13

ITL

Suggerimenti e informazioni utili

Per certi tipi di fotografie potreste desiderare una maggiore esposizione del material originale. Oppure, spazi irregolari attorno alla fotografia. Per far ciò, è sufficiente posizionare il triangolo A sull'angolo inferiore della fotografia e utilizzare una riga sul triangolo B. Queste righe spaziatrici sono divise in multipli di 1/4" = 1/8". Seguite le procedure per il Centraggio della fotografia illustrate sopra con la differenza che invece di allineare il bordo esterno del triangolo B con la fotografia, con quest'ultima viene allineata la riga spaziatrica. Continuate con le procedure indicate. In questo modo è possibile aggiungere bordi più o meno larghi attorno alla fotografia (Fig. 11).

Se desiderate un'incorniciatura doppia (due o più cartoncini disposti in modo sfalsato), dovete dimensionare due passepartout come descritto nella procedura 1 "Come dimensionare il cartoncino per la cornice" a pag. 2. Quindi misurare il secondo passepartout allo stesso modo, con la differenza che sceglierete una delle righe spaziatrici sul triangolo B. Tagliate l'apertura nel secondo passepartout come fareste nella procedura di centraggio dell'immagine (Fig. 12).

Ora dovete tagliare la parte alta/anteriore utilizzando il bordo esterno della scala del triangolo B, senza muoverlo, e annotare le misure della griglia del bordo utilizzando i bordi esterni del triangolo B (Fig. 13).

In questo modo si crea automaticamente una seconda larghezza del bordo corrispondente alla metà delle righe spaziatrici che avete scelto sul triangolo B. Posizionando i due passepartout nella cornice avrete un "doppio" perfetto!

ESP

Sugerencias útiles y adicionales

Es posible que con algunos tipos de imágenes prefiera mostrar más del material original. O también, puede desear que queden espacios desiguales alrededor de la imagen. Esto puede lograrse al ubicar el triángulo A en la esquina inferior de la imagen y utilizar una línea con el Triángulo B. Las líneas espaciadoras aumentan en incrementos de 1/4" = 1/8". Siga los pasos en "Cómo centrar la imagen", excepto que en vez de alinear el borde externo del Triángulo B con la imagen, alinee la línea espaciadora adecuada con la imagen. Ahora siga los pasos según se indica. De esta manera, logrará el efecto de agregar más o menos bordes alrededor de la imagen según lo desee. (Fig. 11)

Si desea realizar un panel doble (2 o más paneles levemente escalonados). Debe medir los paneles según se describe en el PASO 1, "Cómo medir la placa con el marco" en la página 2. Luego mida el segundo panel de la misma manera, excepto que optará por las líneas espaciadoras en el Triángulo B. Primero, corte el orificio en el segundo panel como lo haría al centrar la imagen en el panel. (Fig. 12)

Ahora deberá cortar el panel superior/frontal con el borde externo de las medidas del triángulo B sin mover el triángulo y anote las medidas desde la cuadrícula de bordes con los bordes exteriores del Triángulo B. (Fig. 13)

De esta manera se creará automáticamente un ancho de borde adicional de la mitad del tamaño de la línea espaciadora que eligió en el Triángulo B. Cuando las 2 placas estén ubicadas en el marco, tendrá un "doble" perfecto.



Logan Graphic Products Inc., 1100 Brown Street, Wauconda, IL 60084 Toll Free 1 800 331 6232 www.logangraphic.com