



**CAUTION!!  
MAT CUTTING BLADES ARE SHARP**

## 8-Ply Bevel Cutting Instructions

### Blade Installation

**NOTE: Use only special 8-Ply blade #271. It has only one sharp, beveled edge. DO NOT USE #270 which looks similar but has two beveled edges. The #270 blade will not cut 8-Ply effectively (Fig. 1).**

**NOTE: Only one corner of blade #271 can be used (Fig. 2).**

1. Loosen blade knob and remove cartridge.
2. Set blade onto blade slide, being careful of orientation of edge bevel (Fig. 3).
3. Insert blade slide into cutting head (Fig. 4).
4. Tighten blade knob.

### Depth Adjustment

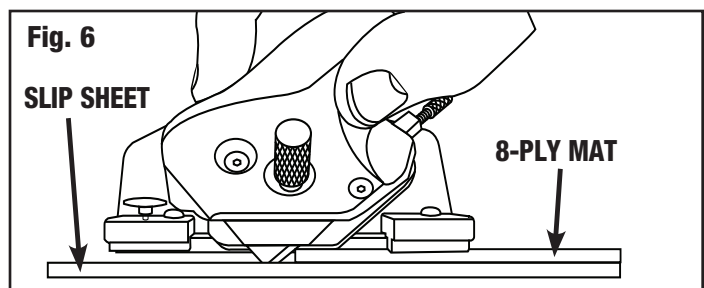
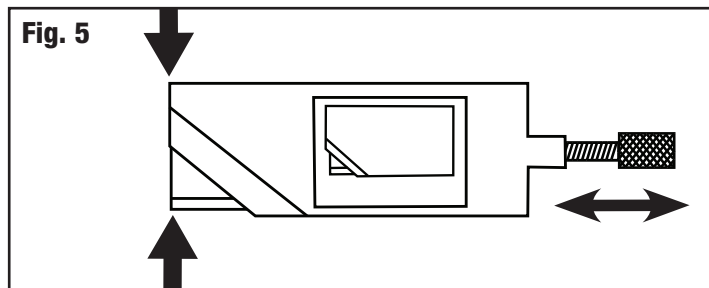
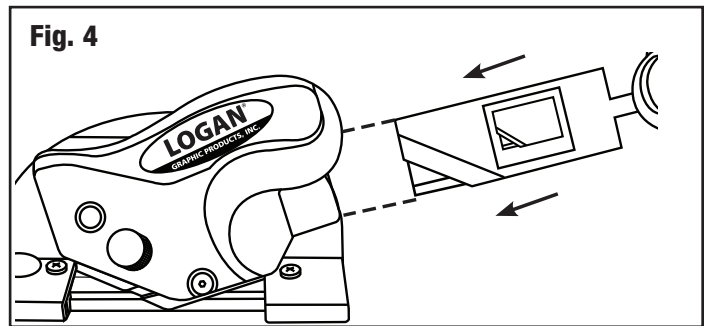
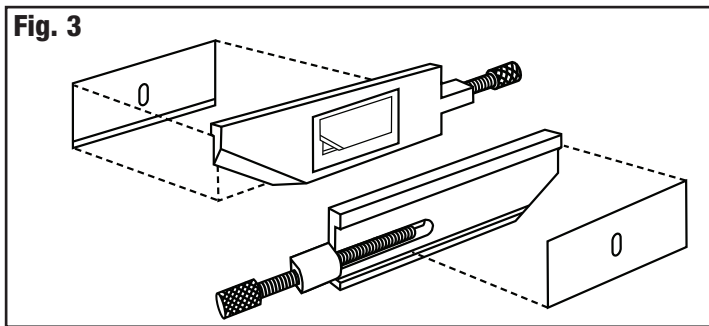
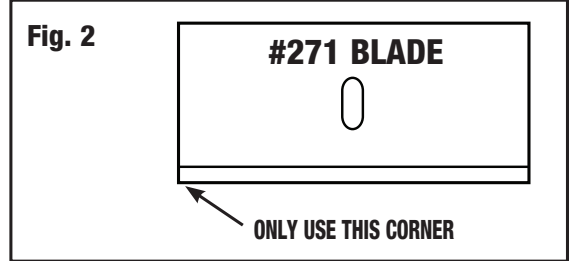
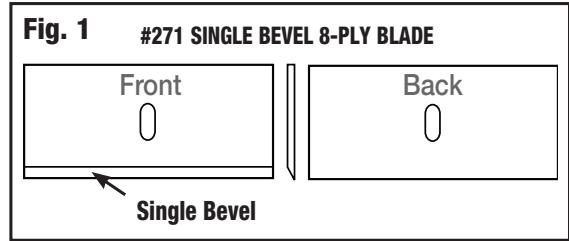
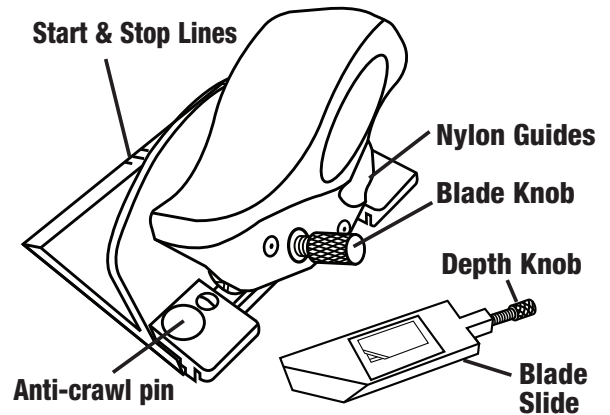
**NOTE: Standard 8-Ply depth setting is aligning end of blade with end of slide (Fig. 5).**

1. Set cutter onto 8-Ply mat board with blade overhanging edge.
2. Depress blade fully.
3. Corner of blade tip edge should score the slip sheet past top of bevel edge (Fig. 6).
4. To adjust depth, loosen blade knob and turn depth adjustment screw.

**NOTE: When reducing depth, you will have to push blade back with your finger.**

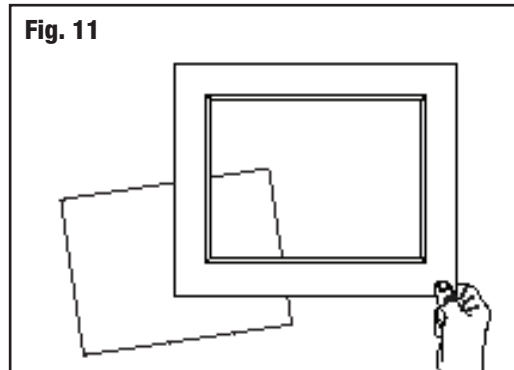
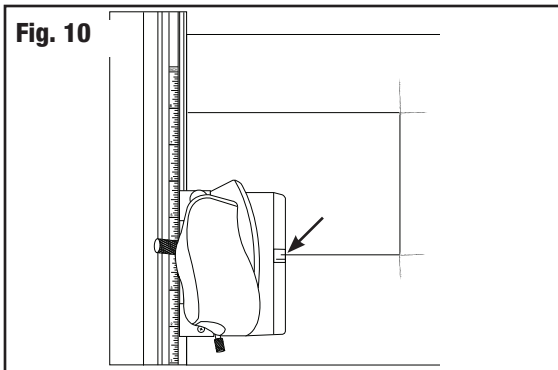
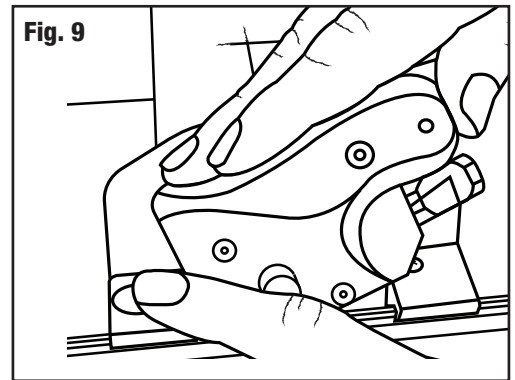
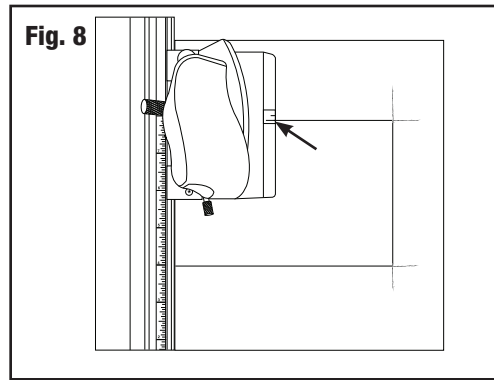
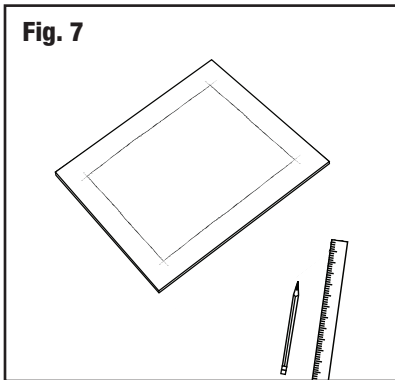
5. Retighten blade knob.

### Identification



## Cutting an 8-Ply Mat

1. On back of mat, draw pencil lines for location of opening (**Fig. 7**).
2. Place your mat (color side down) on a slip sheet (scrap matboard) which must be larger than the mat.
3. Align straight edge on left side of line or slide under guiderail and up against the mat guide and squaring arm.
4. Hook cutter onto rail edge and align GREEN scribe line with top pencil line (**Fig. 8**).
5. With left hand, depress the anti-crawl pin and firmly pivot the blade holder down into the mat (**Fig. 9**).
6. Pull cutter along rail until the red scribe line meets the bottom pencil line (**Fig. 10**).
7. Pivot blade out of mat. Repeat remaining three sides (**Fig. 11**).



## Helpful Hints

- Use two hands to cut.
- Setting blade depth too deep can result in blade tip chipping off.
- Change blade often.
- Use one blade corner when cutting 8-Ply.
- If you do not cut through the mat, repeat cut.
- If your overcuts are too long or too short, start & stop inside or outside start/stop lines to adjust.

## Adjust Nylon Guides (use Phillips Screwdriver)

To improve straightness of cut, you may need to adjust the guides fit on guiderail.

1. Hook cutter onto rail.
2. Loosen guide screws (**Fig 12**).
3. Squeeze guide against rail.
4. Retighten guide screws.

