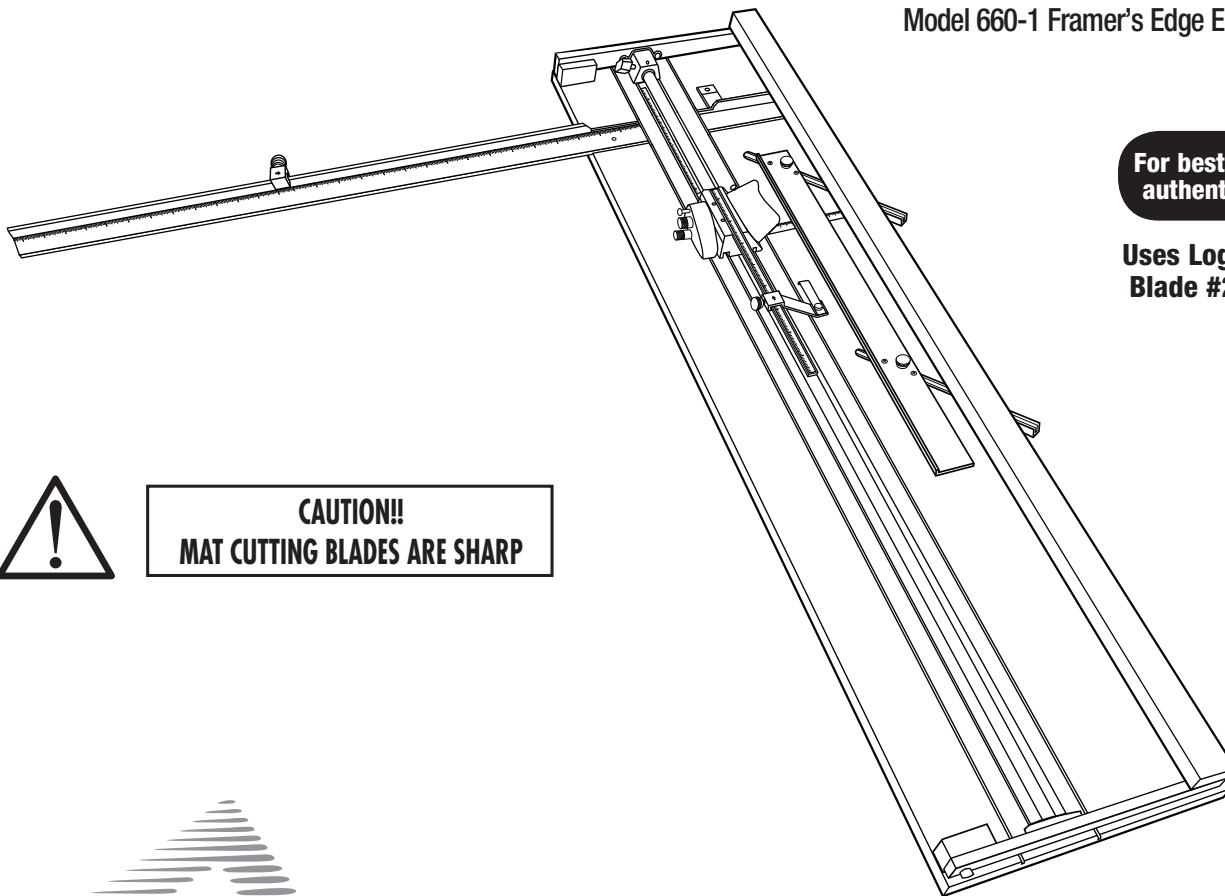


FRAMER'S EDGE ELITE MAT CUTTER

INSTRUCTIONS AND OPERATION MANUAL

Professional Series mat cutting system with laminate board surface, ball bearing guided cutting head, production stops, 9" & 32" squaring arms, plus dual straight & bevel cutting heads

- Model 650-1 Framers Edge Elite - 40" mat cutter
- Model 655-1 Framers Edge Elite - 48" mat cutter
- Model 660-1 Framers Edge Elite - 60" mat cutter



For best results use only authentic Logan blades

Uses Logan Replacement Blade #269 Blade #268



**CAUTION!!
MAT CUTTING BLADES ARE SHARP**



LoganGraphic.com

Purchase Date _____

ID Number (on bottom of board) _____

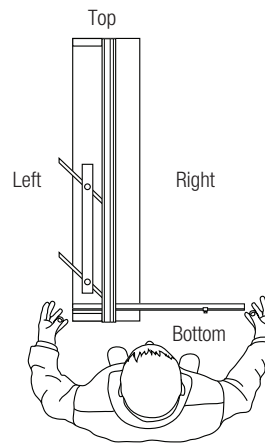
Date (on bottom of board) _____

Congratulations on your purchase of the Logan Professional Series, Framer's Edge Elite Mat Cutter.

The Framer's Edge Elite Mat Cutter is a well-designed mat cutter, combining the best of what Logan mat cutters have to offer. It's designed specifically with the framer in mind. All materials are heavy-duty to withstand the rigors of professional mat cutting and to provide the accuracy framers demand. Features which Logan introduced to the industry years ago include squaring arm, mat guide, movable production stop, high-tech aluminum cutting bar, simple blade change and precision adjustment of the blade to maintain straight cuts with no overcuts. In addition, the cutting head is ball bearing guided for smooth operation. We are confident that the quality, accuracy and dependability of the Framer's Edge Elite will be everything you expect in a professional mat cutter. This instructional manual is written to acquaint you thoroughly with this product. Referred to at the outset, it will answer many questions that may arise during use. You will find that the time taken will be well worth it and you will be cutting top quality mats in no time.

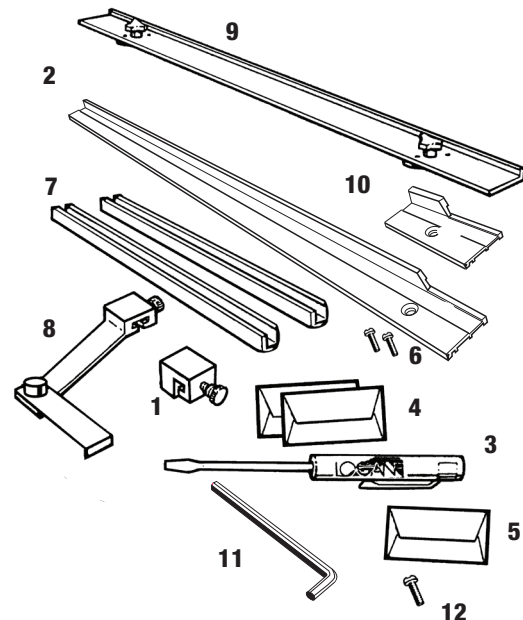
Work Surface and Orientation

The work surface must be flat and smooth. Any dips or warps in a table top can cause the base board of the mat cutter to also warp. Never lean the mat cutter against a wall when not in use. Always store flat. The procedure detailed in the following instructions refer to the right and left side and the top and bottom of the mat cutter as shown.



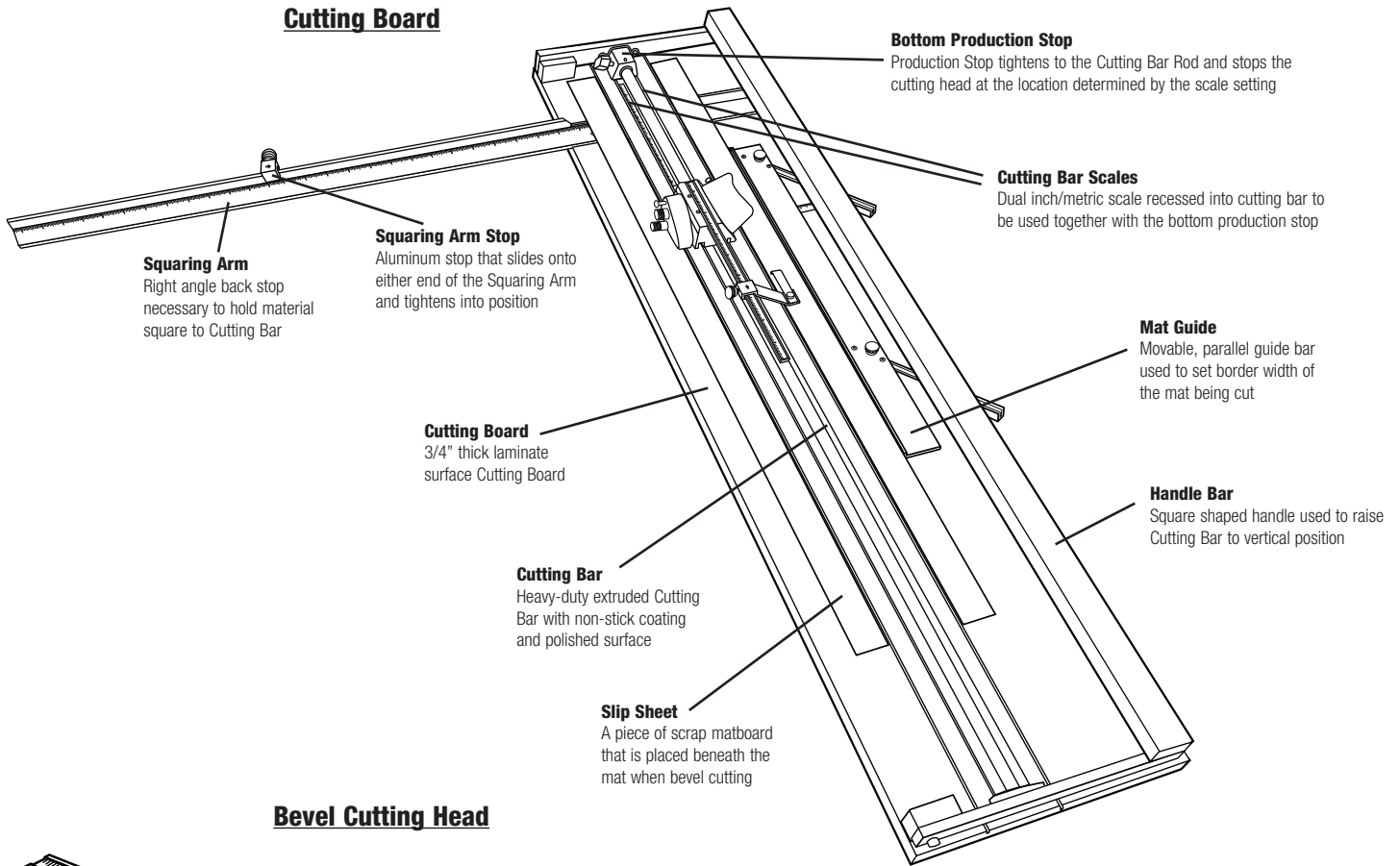
Carton Contents

1. Squaring Arm Stop (1)
2. 32" Squaring Arm (1)
3. Logan Screwdriver (1)
4. Five pack of Logan #269 blades (2)
5. Five pack of Logan #268 blades (1)
6. Channel screws (2)
7. Mat guide channels (2)
8. Top production stop (1)
9. Mat Guide (1)
10. Short Squaring Arm (1)
11. Allen Wrench (1)
12. Squaring Arm Screw (1)



Identification of Machine Components

Cutting Board



Squaring Arm
Right angle back stop necessary to hold material square to Cutting Bar

Squaring Arm Stop
Aluminum stop that slides onto either end of the Squaring Arm and tightens into position

Bottom Production Stop
Production Stop tightens to the Cutting Bar Rod and stops the cutting head at the location determined by the scale setting

Cutting Bar Scales
Dual inch/metric scale recessed into cutting bar to be used together with the bottom production stop

Mat Guide
Movable, parallel guide bar used to set border width of the mat being cut

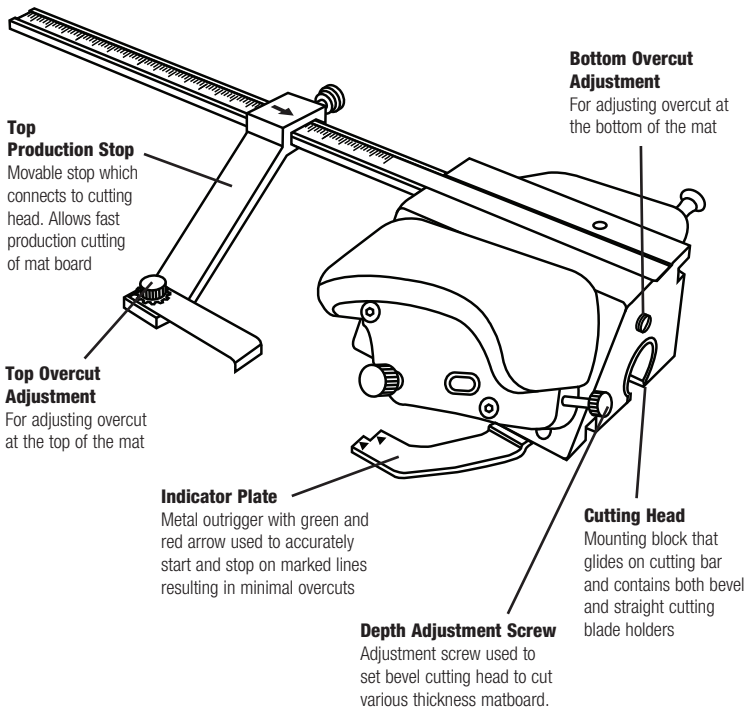
Cutting Board
3/4" thick laminate surface Cutting Board

Handle Bar
Square shaped handle used to raise Cutting Bar to vertical position

Cutting Bar
Heavy-duty extruded Cutting Bar with non-stick coating and polished surface

Slip Sheet
A piece of scrap matboard that is placed beneath the mat when bevel cutting

Bevel Cutting Head



Top Production Stop
Movable stop which connects to cutting head. Allows fast production cutting of mat board

Top Overcut Adjustment
For adjusting overcut at the top of the mat

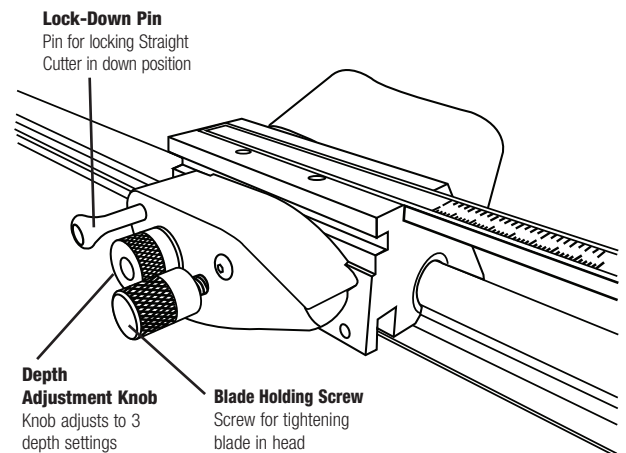
Indicator Plate
Metal outrigger with green and red arrow used to accurately start and stop on marked lines resulting in minimal overcuts

Depth Adjustment Screw
Adjustment screw used to set bevel cutting head to cut various thickness matboard.

Bottom Overcut Adjustment
For adjusting overcut at the bottom of the mat

Cutting Head
Mounting block that glides on cutting bar and contains both bevel and straight cutting blade holders

Straight Cutting Head



Lock-Down Pin
Pin for locking Straight Cutter in down position

Depth Adjustment Knob
Knob adjusts to 3 depth settings

Blade Holding Screw
Screw for tightening blade in head

Set-Up

**CAUTION!!
MAT CUTTING BLADES ARE SHARP**



Bevel Blade Installation

NOTE: There are two blades from which to choose... #269 (Green tape) blades are used for bevel cutting standard thickness matboard and have two beveled edges. #268 (Blue tape) blades are used for bevel cutting 8-Ply thickness matboard and have one beveled edge. (Fig. 1)

#269 (GREEN TAPE) DOUBLE BEVEL BLADE (STANDARD THICKNESS MATBOARD)

1. Using the handle bar, lift the cutting bar to full upright position.
2. Loosen blade screw.
3. Remove one blade from pack of five.
4. Slide blade, sharp edge down, fully into blade holder. (Fig. 2)
5. Tighten blade screw.

#268 (BLUE TAPE) SINGLE BEVEL BLADE (8-PLY THICKNESS MATBOARD)

- NOTE:** Only one corner of the #268 blade can be used.
1. Using the handle bar, lift the cutting bar to full upright position.
 2. Loosen blade screw.
 3. Remove one blade from pack of five.
 4. Slide blade, sharp edge down, bevel edge visible, fully into blade holder. (Fig. 2)
 5. Tighten blade screw.

Straight Blade Installation

1. Set cutting bar in down position on cutting board.
2. Pull out lock down pin & rotate blade holder as far back as it will go. (Fig. 3)
3. Loosen blade screw.
4. Determine desired depth setting using blade depth settings chart. (Fig. 4)
5. Rotate depth adjustment knob to desired setting. (Fig. 5)
6. Slide blade into slot under "blade" label. (Fig. 6)

NOTE: Only use blade #269 (Green tape) for straight cutting.

7. Tighten blade screw.
8. Rotate blade holder back until lock down pin "pops" into safety position. (Fig. 7)

Straight Blade Removal

1. Set cutting bar in down position on cutting board.
2. Pull out lock down pin & rotate blade holder as far back as it will go. (Fig. 3)
3. Loosen blade screw.
4. Rotate depth adjustment knob to setting 3.
5. Remove blade.

Mat Guide Assembly

1. Press each Mat Guide Channel into board slots with rounded end towards guiderail.
2. Insert channel screw from the UNDERSIDE of board and tighten with Logan screwdriver. (Fig. 8)
3. Loosen each mat guide knob three full turns.
4. Hold mat guide at ends with your thumbs on the loosened knobs with raised edge facing guiderail and evenly drop mat guide into channels.
5. Slide to adjust and tighten knobs to lock mat guide. (Fig. 9)

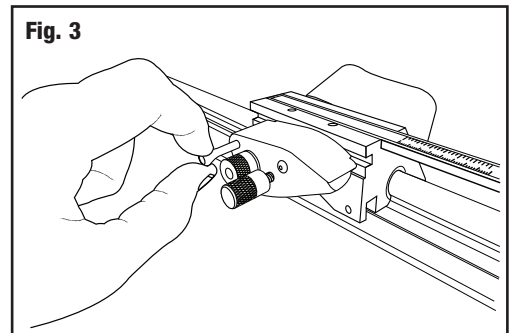
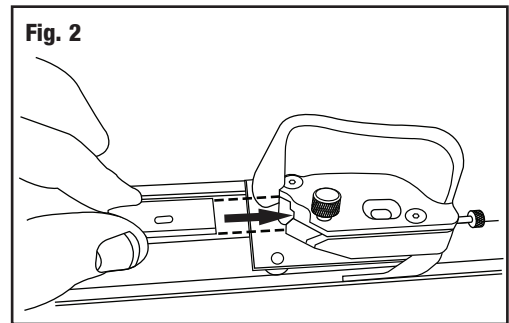
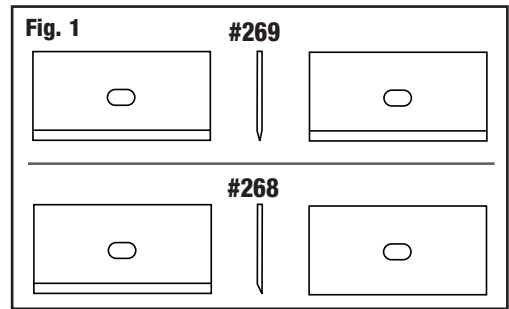
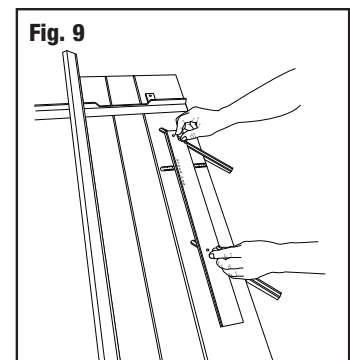
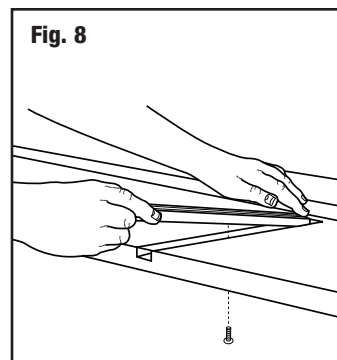
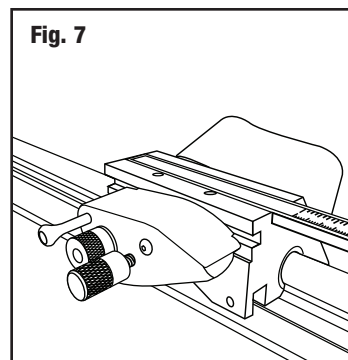
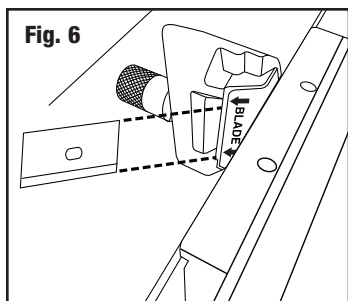
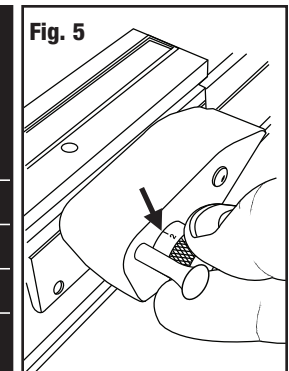


Fig. 4

BLADE DEPTH SETTINGS		
1	1/8"	3 mm
2	3/16"	5 mm
3	3/8"	9 mm



Squaring Arm Assembly

NOTE: There are two squaring arms from which to choose. The 32" arm is used for straight cutting. The short squaring arm is an option if straight cutting is unnecessary or saving space is required.

1. Line up squaring arm along side of slot, ensuring the bottom of the v-groove is underneath screw. **(Fig. 10)**
2. Slide into the slot.
3. Align hole and insert screw. **(Fig. 11)**
4. Slide stop onto squaring arm. **(Fig. 12)**

Top Production Stop Assembly

1. Slide top production stop onto measuring bar. **(Fig. 13)**

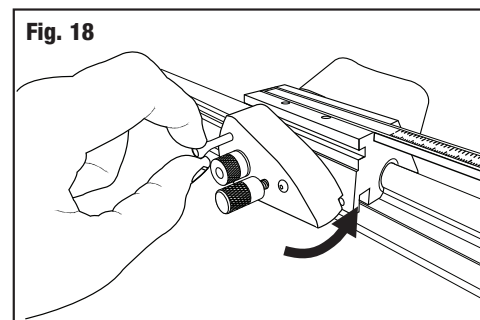
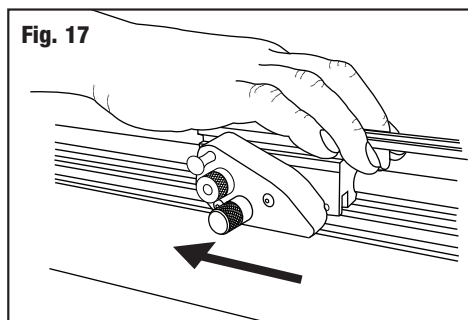
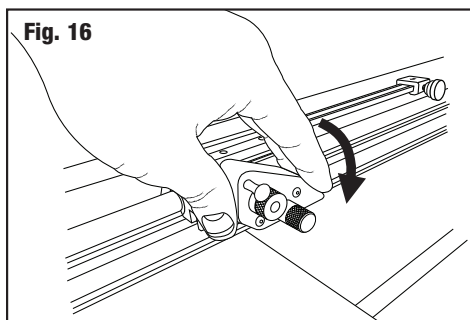
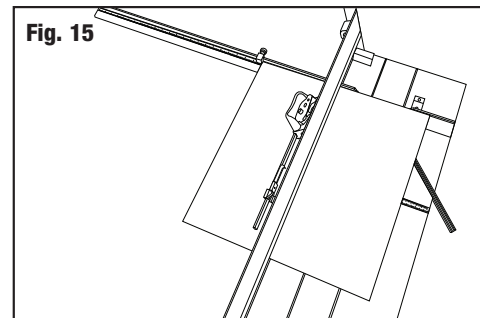
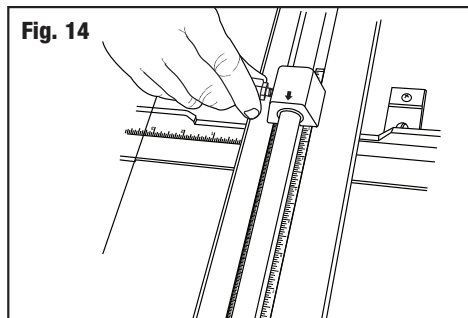
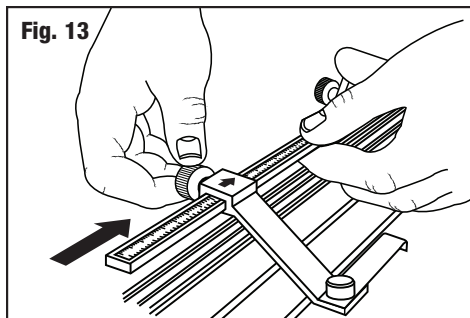
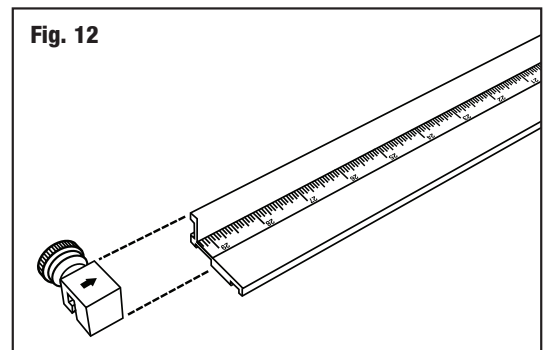
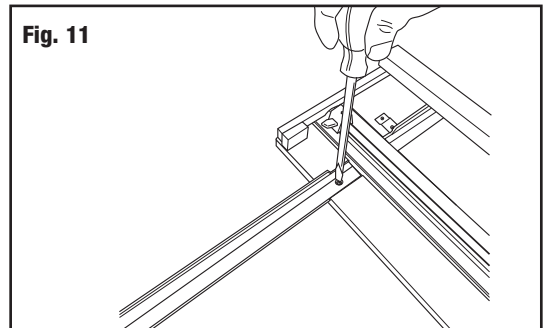
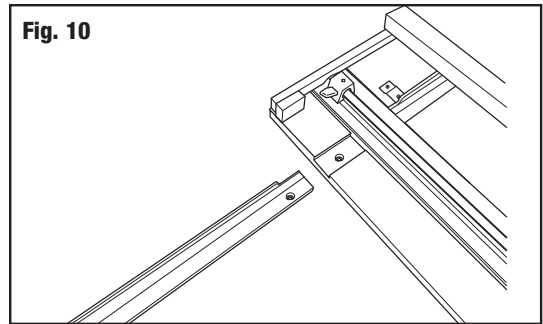
Straight Cutting Board to Size Using 32" Squaring Arm

1. Remove mat guide and slip sheet.
2. Loosen bottom production stop and move to bottom of cutting bar. **(Fig. 14)**
3. Lift Handle bar into up position.
4. Set squaring arm stop to dimension of cut. Place mat (color side down) against squaring arm and stop. **(Fig. 15)**
5. Lower handle bar into down position so cutting bar rests on mat.
6. Slide cutting head past far end of mat.
7. Rotate straight cut blade holder down until lock down pin "pops" into lock slot. **(Fig. 16)**
8. Holding the cutting head as shown **(Fig. 17)**, pull the cutting head until the board is completely cut.

NOTE: Do not apply downward pressure on blade holder. The lock down pin is holding blade at proper depth.

9. **IMPORTANT:** After finishing the cut, pull lock down pin out and rotate blade holder to safety position. **(Fig. 18)**

NOTE: It is dangerous to leave the blade set in the "cut" position.



Bevel Cutting Mat Openings

Using Line to Line Method

1. Install mat guide and set to desired border width. Tighten black knobs.
2. Loosen bottom production stop and move to bottom of cutting bar. **(Fig.19)**
3. Lift handle bar and replace/install slip sheet.

NOTE: For best results ALWAYS use a slip sheet when bevel cutting. A slip sheet is a scrap piece of matboard which is at least as long as the mat you are cutting and at least 4" wide. Your first slip sheet is included. The slip sheet will need to be changed periodically. Move the slip sheet slightly after each cut to avoid cutting into previous scores that may cause the blade to flare out, causing a curve in your cut.

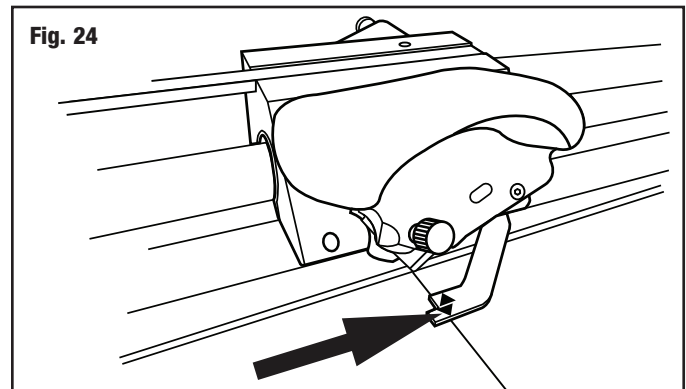
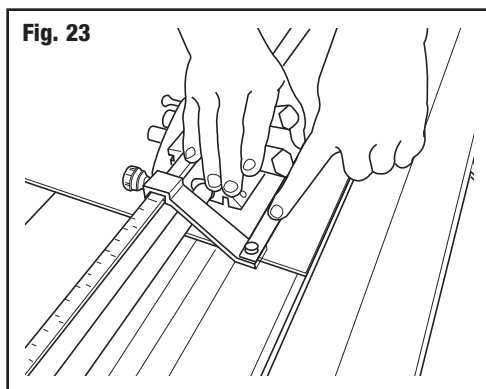
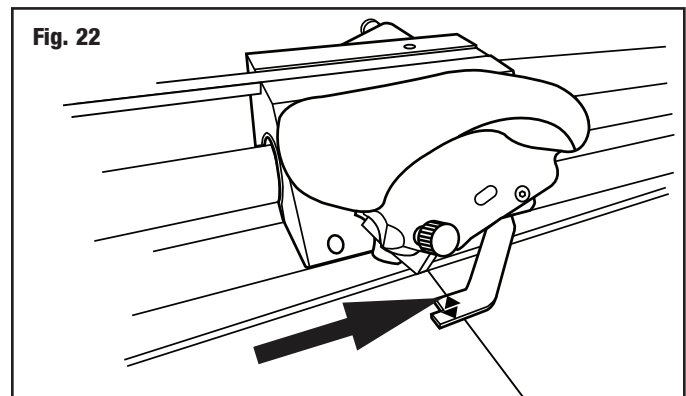
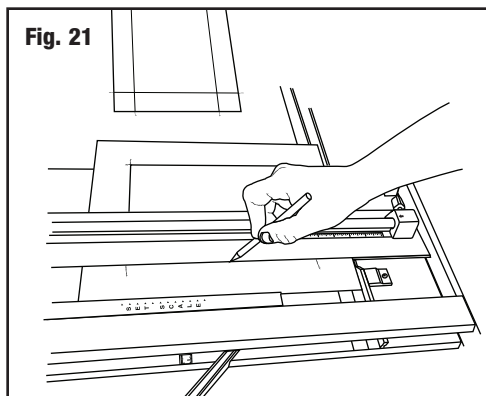
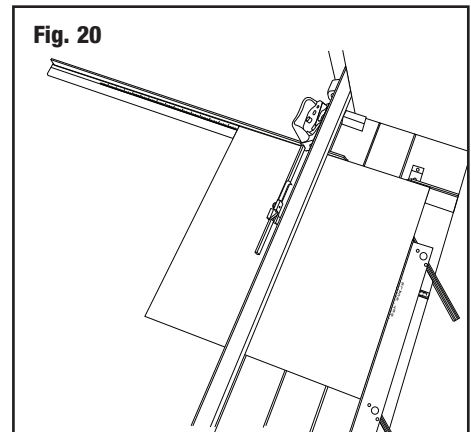
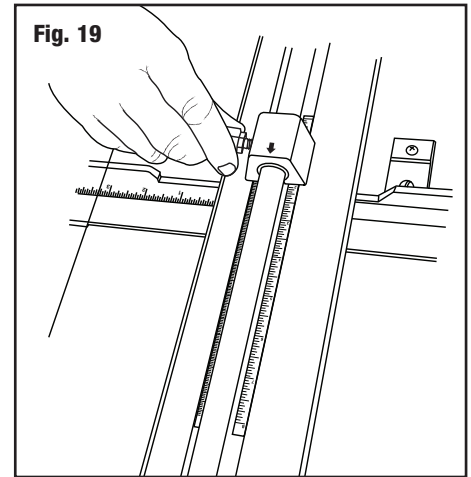
3. Place the mat (color side down) against the squaring arm and against the mat guide. **(Fig. 20)**
4. Lower the handle bar. With a pencil, draw a line on the back of the matboard using the left side of the cutting bar as a guide. Do this for the remaining three sides of the mat. **(Fig. 21)**
5. Slide the cutting head into position so that the edge of the metal near the green arrow on the indicator plate is directly over the top marked line. **(Fig. 22)**
6. Rotate the bevel blade holder down completely to seat the blade into the mat.

NOTE: To avoid an overcut as a result of cutting head "creeping forward" when inserting blade, set top production stop to 1" setting. Press down on front of stop. **(Fig. 23)**

7. Maintaining downward pressure, pull the cutting head toward yourself until edge of the metal near the red arrow on the indicator plate is directly over the bottom marked line. **(Fig. 24)**

NOTE: Do not push down on the handle bar when cutting, as this will flex the cutting bar upwards and prevent the blade from cutting through the matboard.

8. Rotate the bevel blade holder up to the neutral position and lift the handle bar to an upright position.
9. Turn the mat 1/4 turn to the right and make sure that the mat is down against the squaring arm and against the mat guide on the left.
10. Continue steps 5 through 8 until all four sides are cut.

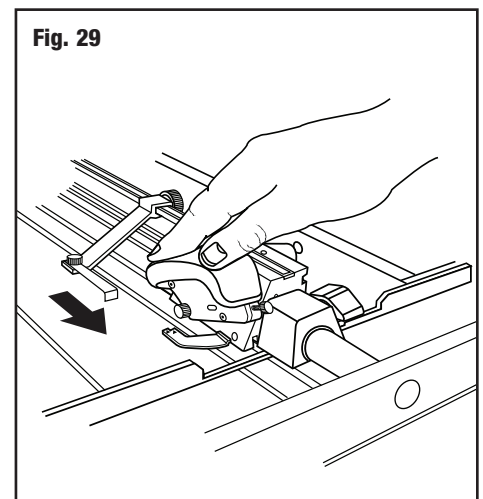
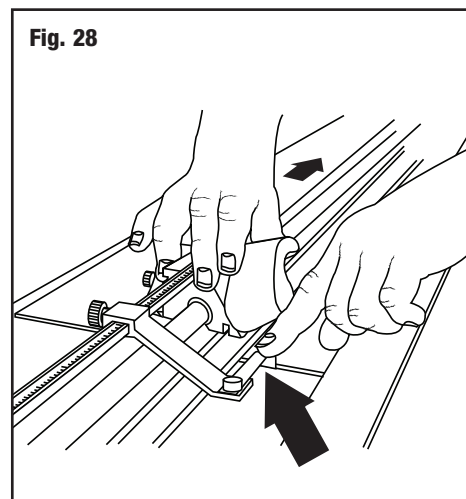
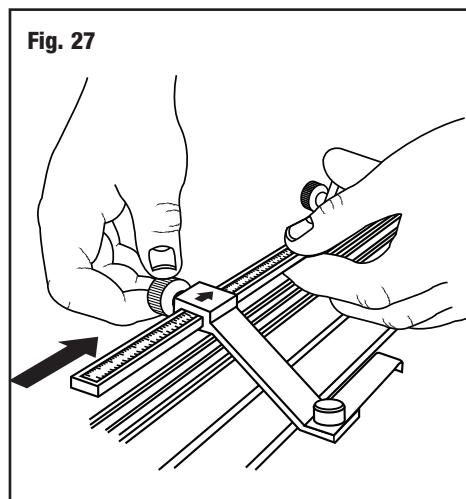
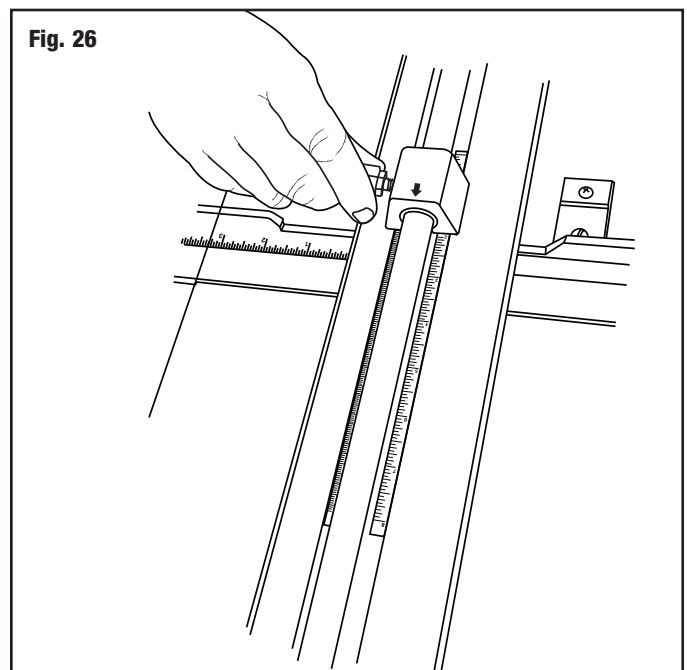
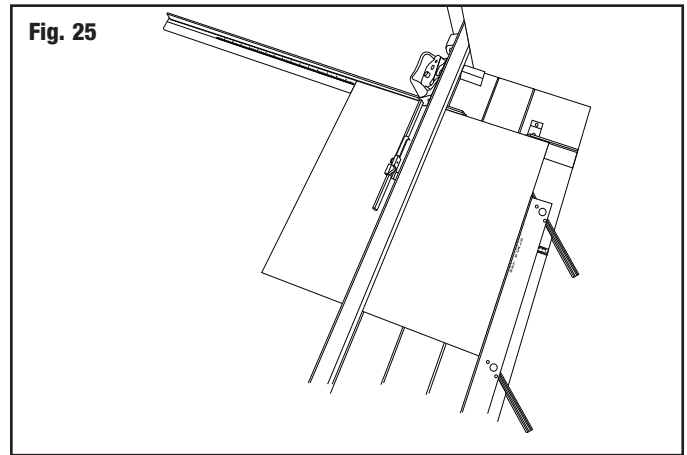


Using Production Stops

1. Install mat guide and set to desired border width. Tighten black knobs.
2. Lift handle bar and replace/install slip sheet.

NOTE: For best results ALWAYS use a slip sheet when bevel cutting. A slip sheet is a scrap piece of matboard which is at least as long as the mat you are cutting and at least 4" wide. Your first slip sheet is included. The slip sheet will need to be changed periodically. Move the slip sheet slightly after each cut to avoid cutting into previous scores that may cause the blade to flare out, causing a curve in your cut.

3. Place the mat (color side down) against the squaring arm and against the mat guide. **(Fig. 25)**
4. Slide the bottom production stop up to the increment on the scale of the border size you wish to cut. **(Fig. 26)**
5. Slide the top movable stop up to the increment on the scale of the border size you wish to cut. **(Fig. 27)**
6. Slide the cutting head into position in front of the top edge of the matboard. As the movable stop approaches the edge of the matboard, press down on the stop foot with your left index finger until it gently makes contact with the top edge of the mat. **(Fig. 28)**
7. Holding the stop foot in place with your finger, rotate the blade holder down to enter the blade into the mat.
8. Release the stop foot with your finger, so that it raises above the edge of the mat board and pull the cutting head towards yourself until it makes gentle contact with the bottom production stop. **(Fig. 29)**
9. Turn the mat 1/4 turn to the right and make sure that the mat is down against the squaring arm and against the mat guide on the left.
10. Continue steps 6 through 9 until all four sides are cut.



Adjustments

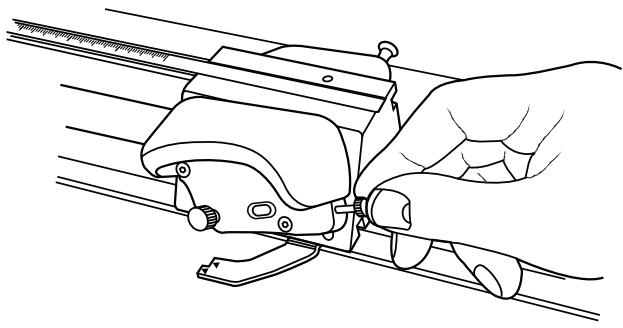
Bevel blade depth adjustment

1. Turn depth adjustment screw clockwise to increase depth or counterclockwise to decrease depth. **(Fig. 30)**

NOTE: Use the blade window to reference various blade depths.

NOTE: It is always ideal to have just enough blade depth to slice through the mat you are cutting and score slightly into the slip sheet. Extra blade depth can allow the blade to flex, resulting in hooks or curves in the cut. Extra blade depth can also cause the blade to start its cut sooner and stop its cut later than needed, resulting in overcuts.

Fig. 30



Cutting Head Slide Adjustment

If cutting head is too loose, wobbles up and down OR rocks side to side, you will need to adjust the cutting head.

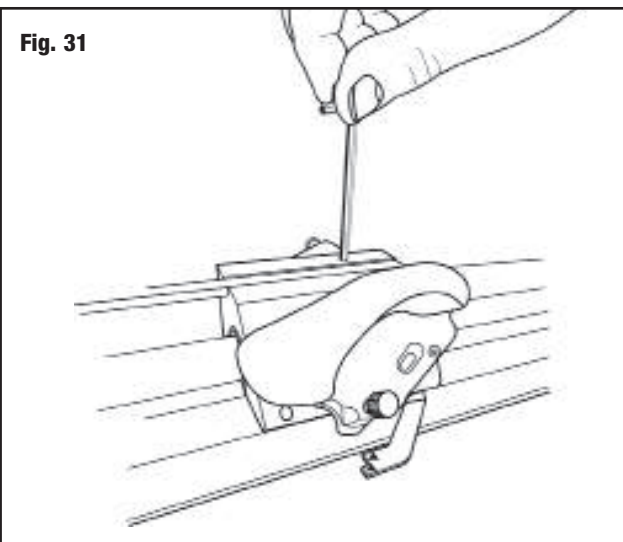
Bushing Adjustment

1. To eliminate side to side rocking, tighten each adjustment screw a very small amount using Allen Wrench. **(Fig. 32)**
2. Test rocking and readjust until rock is eliminated and sliding motion is smooth.

Bearing Adjustment

1. To eliminate wobble up and down, tighten adjustment screw a very small amount using Allen Wrench. **(Fig. 31)**
2. Test wobble and readjust until wobble is eliminated and sliding motion is smooth.

Fig. 31



Blade Tip Adjustment

1. If blade is hitting cutting bar, loosen (turn to left) top adjustment screw 1/4 turn using allen wrench. **(Fig. 31)**
2. Then tighten (turn to right) both side adjustment screws a very small amount using allen wrench. **(Fig. 32)**
3. Test tip, readjust if necessary.
4. Test wobble and readjust until wobble is eliminated and sliding motion is smooth.

Fig. 32a

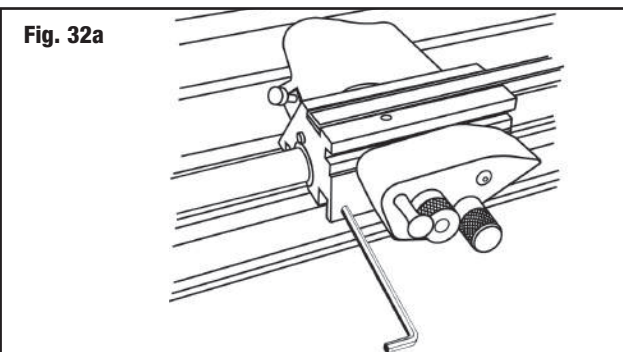
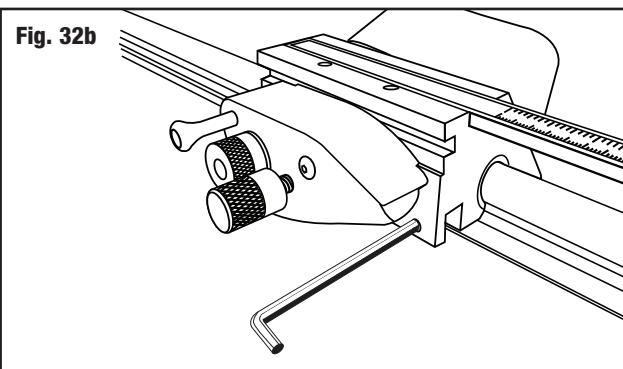


Fig. 32b



Overcut Screw Adjustments

NOTE: These adjustments are only needed when production stops are being used.

Bottom Overcut Adjustment

1. If over or under cuts appear at the **BOTTOM** of the cut when using the production stops even after a blade depth adjustment, use the Logan screwdriver provided to make slight adjustments on the overcut adjustment screw on the back of the cutting head. This screw will fine tune the **BOTTOM** over/under cut only when using the production stop.
2. To adjust, use Logan screwdriver to turn screw in (clockwise) to increase overcut or turn screw out (counterclockwise) to decrease overcut. **(Fig. 33)**

Top Overcut Adjustment

1. Loosen knob to allow leg to slide. Slide leg away from cutting head to decrease overcut or toward cutting head to increase overcut. Tighten knob to lock leg into position. **(Fig. 34)**

Fig. 33

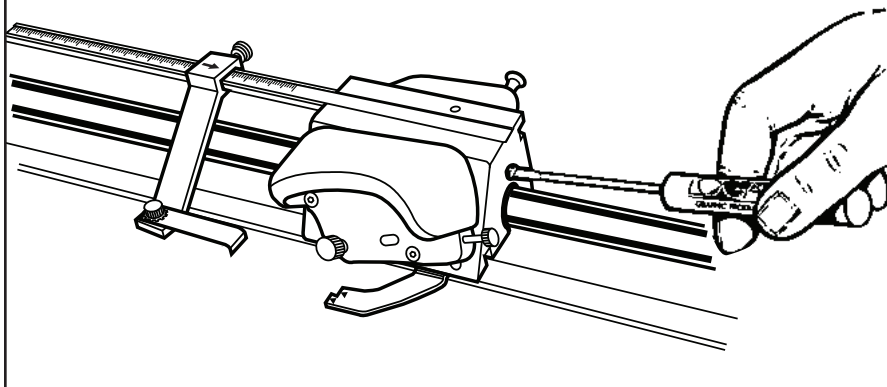
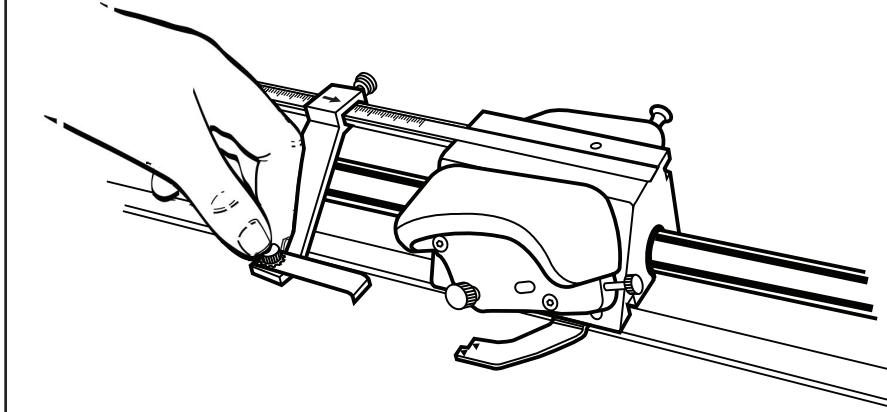
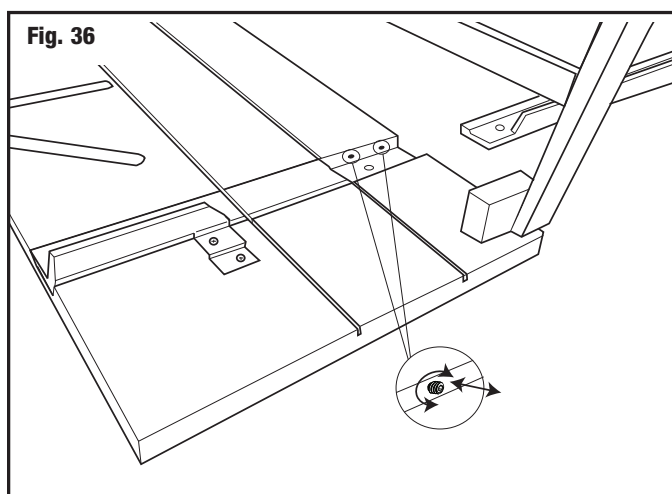
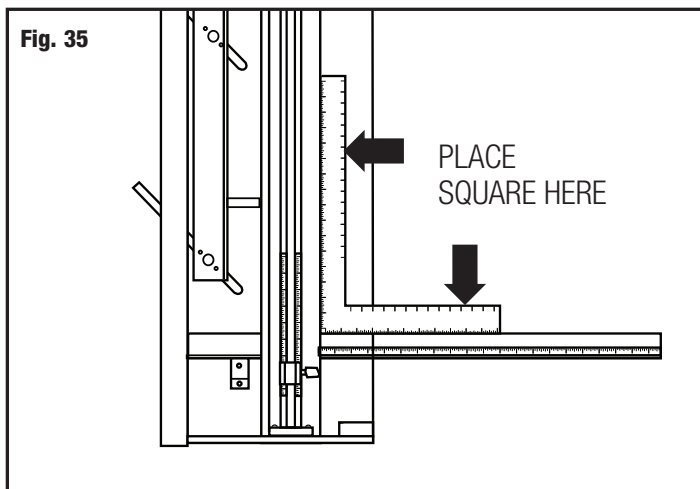


Fig. 34



Cutting Board Adjustments



Re-Squaring the Squaring Arm

Tools needed: Screwdriver, Carpenter's Square

Before making any adjustments to the squaring arm, make sure that the machine is truly out of square, not the mat board, by using the squareness test.

ATTENTION: It is common for 32" x 40" sheets of mat board to be un-square when bought. Take this into account before making any adjustments to the squaring arm.

Squareness Test

1. Place the carpenter's square against the right hand side of the guide rail and down against the squaring arm. (**Fig. 35**) Lock to see if there are any gaps between the framing square and the squaring arm. If so, the squaring arm needs to be adjusted.

To Re-Square

1. By looking at where the gap is, you can determine which way the squaring arm needs to go, in order to be square again.
2. Remove the squaring arm and locate the two screws inside of the slot.
3. To adjust, you must turn screws A & B in equal but opposite directions. To move the far right end of the squaring arm towards the top end of the machine, turn adjustment screw B inward (clockwise) about a quarter turn, and turn adjustment screw A outward (counter-clockwise) a quarter turn. (**Fig. 36**)
4. Re-install the squaring arm and check for square. This is a trial and error method. In some cases more than a quarter turn is needed, in some cases, less.

Mat Guide Assembly

If mat guide wedge becomes unscrewed from mat guide, reassemble making sure angle of wedge is aligned correctly. **(Fig. 37)**

Re-parallel Mat Guide

Tools Needed: Phillips Screwdriver, Ruler

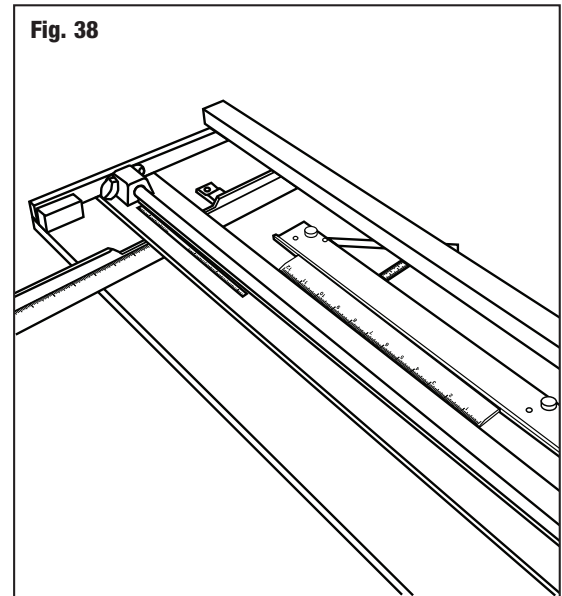
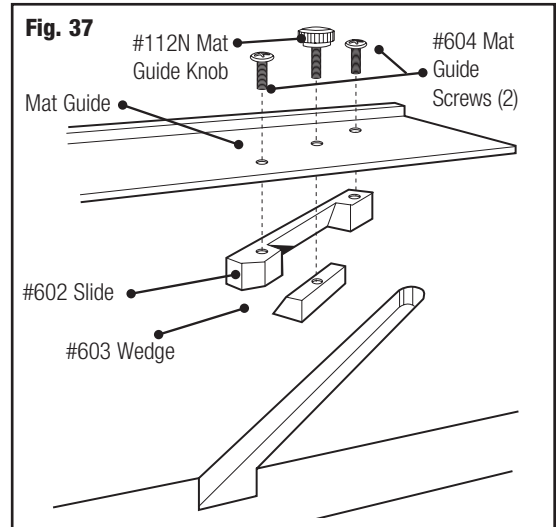
To re-parallel the Mat Guide, first determine that the Mat Guide is out of parallel by doing a parallel test.

Parallel Test:

1. Lock the Mat Guide at the 2" mark on the scale.
2. Place a scrap piece of matboard under the Guide Rail and up against the Mat Guide at the far end of the machine.
3. Using a pencil, mark a line across the matboard.
4. Slide the mat all the way down near where you are standing keeping under the Guide Rail.
5. Mark another line across the matboard.
6. The piece of matboard should now appear to only have one single line across it. If the two lines drawn do not line up with each other, the Mat Guide needs to be re-parallelled.

To Re-parallel:

1. Release the Mat Guide.
2. Use a Phillips head screwdriver to loosen the four screws on either side of the black knobs one turn.
3. Place a ruler or straight edge between the Mat Guide and the Guide Rail. **(Fig. 38)**
4. Slide the Mat Guide against the straight edge and the Guide Rail. Make sure both the Mat Guide and the Guide Rail are making solid contact on both sides of the straight edge.
5. Re-tighten the Black Knobs first.
6. Then re-tighten the four screws. Do another parallel test to ensure that the Mat Guide is now parallel.



Troubleshooting

Problem	Solution
Hooks or Curves	<ul style="list-style-type: none"> • Blade depth set too deep. • Blade is dull. • Blade is catching on previous cut in Slip Sheet. • Uneven pressure being applied to Cutting Head during cut.
Overcut on Top Cut	<ul style="list-style-type: none"> • Blade depth set too deep.
Overcut on Bottom Cut	<ul style="list-style-type: none"> • If too small - align start and stop indicator slightly below pencil line and cut. • If too big - align start and stop indicator slightly above pencil line and cut.
Mat Borders Uneven	<ul style="list-style-type: none"> • Mat Guide not parallel.
Ragged Bevel Cut	<ul style="list-style-type: none"> • Cutting without a Slip Sheet. • Slip Sheet is worn out. • Not changing the blade often enough.
Not Cutting Through	<ul style="list-style-type: none"> • Machine not on a level surface. • Not using a Slip Sheet as least as long as the mat you are cutting. • Blade depth set too shallow.

Helpful Hints

Avoid Board Warp - Always store your Mat Cutter flat.

Clean Guide Rail - Only use evaporative solvents such as lighter fluid or alcohol. Do not lubricate the Guide Rail.

Cutting a Border Less Than 3/4" - Mark mat (back side) using a pencil and do not use Mat Guide.

Blade Life - Use only authentic Logan blades to ensure best results. No two blades last the same amount of time. Size of mats and differences in mat board effect blade life. It is best practice to use a new blade whenever starting a new project.

Warranty

Logan Graphic Products, Inc. ("Logan") warrants the model 650-1 / 655-1 / 660-1 FRAMER'S EDGE ELITE to be free from defects in parts and workmanship for a period of two years from the date of original purchase. Logan warrants that it will either repair or replace, in its sole discretion, any necessary replacement parts found to be defective. Should the product need to be returned to Logan for repair or replacement parts, authorization for any return must come from Logan in writing. Costs of returning the product to Logan, including insurances, shall be borne by the purchaser. Logan shall not be liable for any damages or losses, incidental or consequential, direct or indirect, arising from the use of this product. This warranty extends only to the original purchaser and is not assignable or transferable. This warranty is in lieu of all other warranties, expressed or implied. Be advised that any Logan products purchased as "new" from an unauthorized dealer, such as an online auction site or similar, may be void of their warranty.

Logan Graphic Products, Inc.
 1100 Brown Street Wauconda, IL 60084
 800/331-6232 847/526-5515