

Instruction Manual PICTURE FRAMING FITTING TOOL

U.S. Patent No. 6,896,168

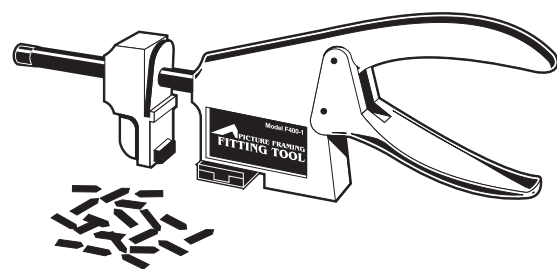
Model F400-1



Description

The Model F400-1 Fitting Tool has been designed to provide long lasting quality operation with easy to use features. It's primary purpose is to drive pins, points and nails into wood picture frame moulding to securely hold framing materials in place. The Model F400-1 Fitting Tool features a unique and revolutionary rotating turret to accommodate all of the most popular style points.

L988N1 08/11

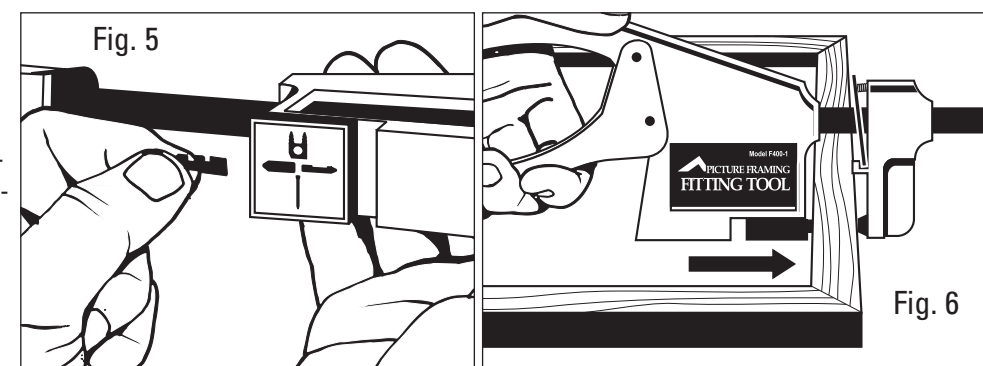


4

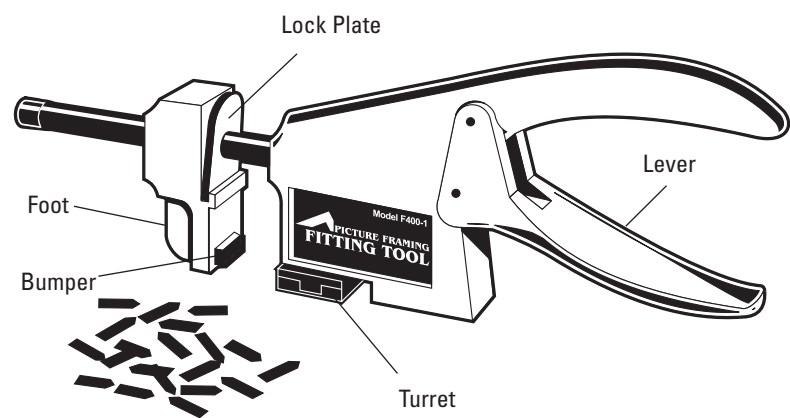
Operation

A. Driving Insert

1. Slide **foot** away from **turret**.
2. Load **insert** into **turret slot**. Be sure point end faces out (Fig. 5).
3. Align **body** and tip of **insert** against frame. Rest body on framing material. Slide **foot** until bumper rests firmly against frame (Fig. 6).



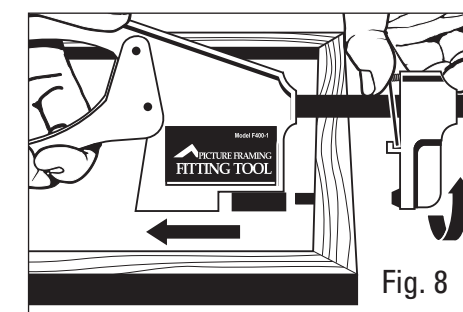
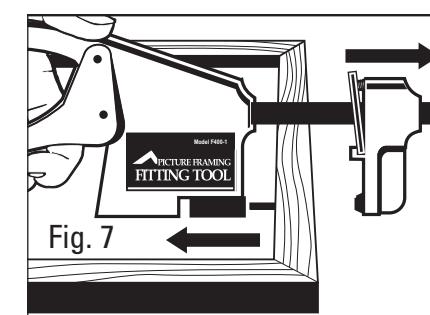
Identification



- Lever** - Moveable handle which drive inserts.
- Foot** - Sliding stop block.
- Lock Plate** - Locks foot secure.
- Turret** - Insert holder which rotates. Holds four insert styles.
- Flexible Insert** - Bendable insert used to hold framing material inside frame.

1

4. Firmly squeeze **handle** and drive **insert** into the wood until **turret** stops against frame (Fig. 7).
Note-for best results keep body flat on material while squeezing.
5. Squeeze **lock plate** on **foot** and rotate foot to release (Fig. 8).
6. Slide **body** back along top of framing material to remove from **insert**. Do not lift up, but rather pull straight back.
7. Repeat to finish.



5

Preparation

A. Fill frame

1. Turn over frame.
2. Load glass, matboard and image and backing material into frame (Fig. 1).

B. Choose an insert (Fig. 2).

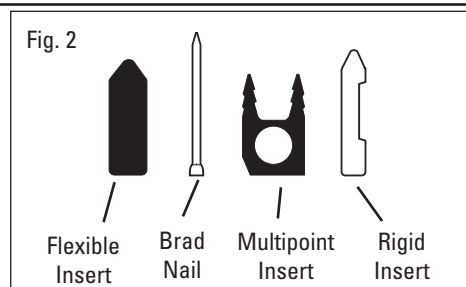
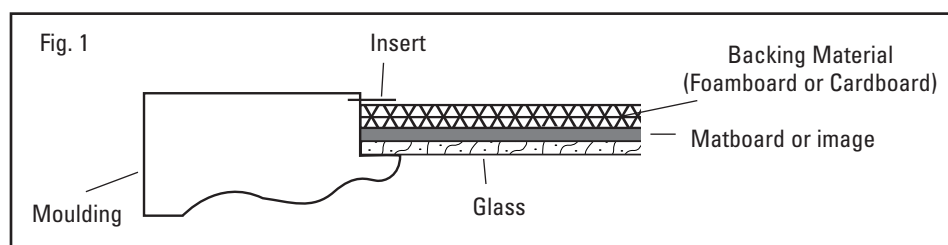
1. **Flexible Insert** - Bendable insert used in photo frames where material can easily be changed.

Brad Nails - Economical insert. Can be used for securing canvas.

Multipoint Insert - Bendable insert and used to hold fillets in place.

Rigid Insert - Firm insert used in permanent applications.

continued on next page



2

Trouble Shooting

Problem:

Points bend when being inserted.

Solution:

Try using a different insert more suited to hardwood.

Make sure the turret is resting flush on back material being framed.

Problem:

Mats or framed material buckles after being secured.

Solution:

Let the turret rest gently on back of material when inserting points. Do not angle inserts down to "pinch" material being secured.

Problem:

Fitting Tool handle does not release after point insertion.

Solution:

Release pressure by squeezing lock plate on the foot and swivel foot to clear moulding, then withdraw turret in opposite direction of insertion.

6

Warranty

Logan Graphic Products, Inc. ("Logan") warrants the Fitting Tool - Model F400-1, to be free from defects in parts and workmanship for a period of one year from the date of original purchase. Logan warrants that it will either repair or replace, at its sole discretion, any necessary replacement parts found to be defective. Should the product need to be returned to Logan for repair or replacement parts, authorization for any return must come from Logan in writing. Costs of returning the product to Logan, including insurances, shall be borne by the purchaser. Logan shall not be liable for any damages or losses, incidental or consequential, direct or indirect, arising from the use of this product. This warranty extends only to the original purchaser and is not assignable or transferable. This warranty is in lieu of all other warranties, expressed or implied. Be advised that any Logan products purchased as "new" from an unauthorized dealer, such as an online auction site or similar, may be void of their warranty.

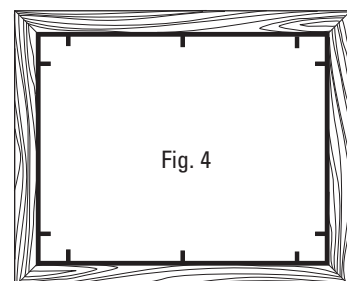
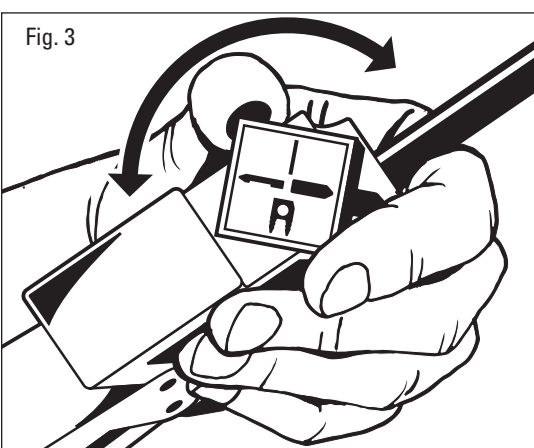
Preparation continued

B. Choose an insert (continued)

2. Rotate **turret** so insert choice faces **foot** (Fig. 3).

C. Determine insert spacing and quantity

1. Corner spacing is generally 1" (3cm) to 2" (5cm) from corner.
2. Side spacing is generally 4" (10cm) to 5" (13cm) apart (Fig. 4).



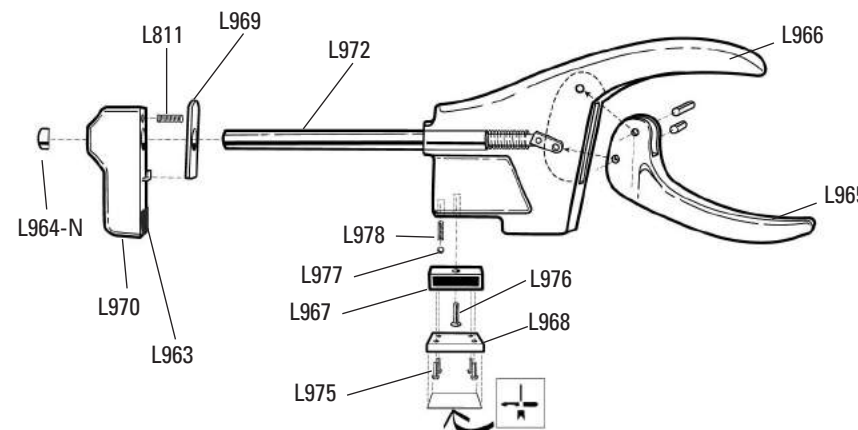
3

Instruction Manual

FITTING TOOL

Model F400-1

7



No.	Description	Qty.
L811	Lock Plate Spring	1
L963	Bumper	1
L964-N	End Cap	1
L965	Handle	1
L966	Body	1
L967	Turret-Top	1
L968	Turret-Bottom	1
L969	Lock Plate	1
L970	Foot	1
L972	Drive Rod	1
L975	Turret Screw	4
L976	Pivot Screw	1
L977	Ball	1
L978	Ball Spring	1



Logan Graphic Products, Inc.
1100 Brown Street, Wauconda, IL 60084 USA
Phone 1 847 526 5515 Toll Free 1 800 331 6232
www.logangraphic.com

Mode d'emploi
ENCADREMENT

FR OUTIL D'AJUSTAGE

Description L'outil d'ajustage modèle F400-1 a été conçu pour assurer un fonctionnement de qualité de longue durée avec des caractéristiques ergonomiques.

Manual De Instrucción
ENMARCADO DE CUADROS

ESP HERRAMIENTA DE ACOPLE

Descripción La herramienta de Acople Modelo F400-1 ha sido diseñada para proveer una operación de calidad y duradera con propiedades ventajosas fáciles de usar.

Bedienungsanleitung
BILDEINRAHMUNG

D EINSTIFTGERÄT

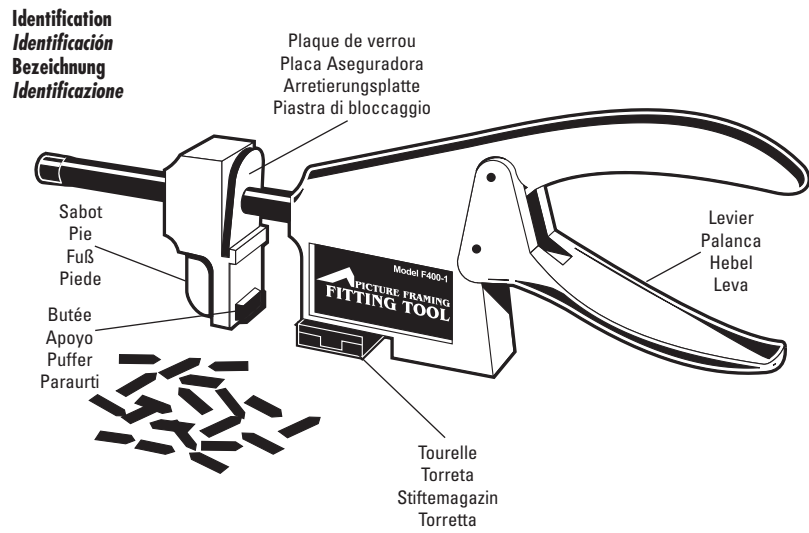
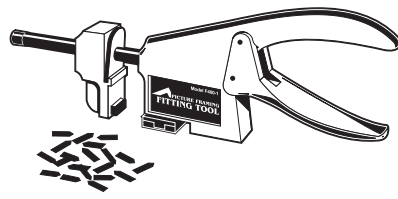
Beschreibung Das Einstiftgerät F400-1 ist ein leicht zu handhabendes Werkzeug von langer Lebensdauer, mit dessen Hilfe sich verschiedene Stiftypen wie Points, Pfeile und Nägel einfach in Bilderrahmen einstiften lassen.

Manuale d'uso
PER INCORNICIATURA

ITL UTENSILE DI MONTAGGIO

Descrizione L'Utensile di montaggio modello F400-1 è stato progettato per un funzionamento durevole e di qualità e per essere semplice da utilizzare.

Modèle F400-1/ Modelo F400-1/
Modell F400-1/Modello F400-1



FR Levier - poignée mobile qui chasse les inserts. Sabot - bloc de butée coulissant... ITL Leva - Manico mobile per inserire le punte. Pie - Blocco deslizante de apoyo...

D Hebel: Hebelgriff zum Einstiften. Fuß: Verschiebbarer Anschlagblock. Arretierungsplatte: Arretiert den Fuß... ITL Leva - Manico mobile per inserire i tasselli. Piede - Blochetto di arresto scorrevole.

ITL Leva - Manico mobile per inserire i tasselli. Piede - Blochetto di arresto scorrevole. Piastra di bloccaggio - Blocca stabilmente il piede. Torretta - Portatasselli rotante.

1

FR Fonctionnement (suite)

A. Chasse des inserts (suite) 4. Serrer fermement la poignée et chasser l'insert dans le bois jusqu'à ce que la tourelle s'arrête contre le cadre (Fig. 7).

ESP Operación (continuación)

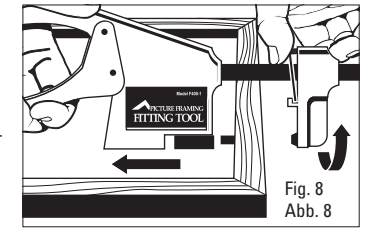
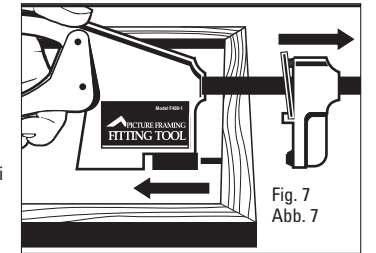
A. Introducción de la Punta (continuación) 4. Apriete firmemente la manija y empuje la punta dentro de la madera hasta que la torreta se detenga contra el marco (Fig. 7).

D Bedienung (Fortsetzung)

A. Einstiften (Fortsetzung) 4. Drücken Sie den Hebelgriff fest zusammen, und treiben Sie den Stift soweit in den Rahmen, bis das Stiftmagazin an der Leiste anschlägt (Abb. 7).

ITL Funzionamento (continuo)

A. Inserimento del tassello (continuo) 4. Stringere saldamente il manico e inserire il tassello nel legno finché la torretta non si fermi contro la cornice (Fig. 7).



5

FR Préparation

A. Remplir le cadre 1. Retourner le cadre. 2. Charger le verre, le passe-partout et l'image et le matériau de support dans le cadre (Fig. 1).

ESP Preparación

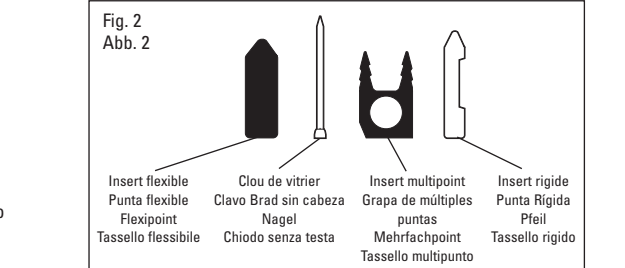
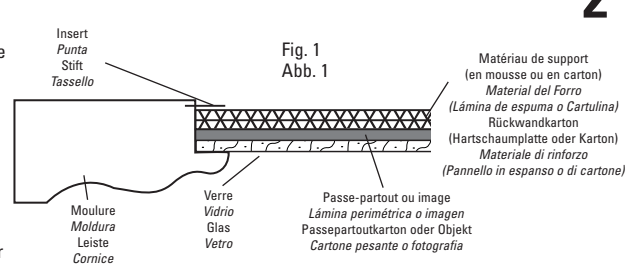
A. Introduzca el marco 1. Voltee completamente el marco. 2. Cargue el vidrio, la lámina perimétrica e imagen y el material del forro dentro del marco (Fig. 1).

D Vorbereitung

A. Befüllen des Rahmens 1. Drehen Sie den Rahmen um. 2. Legen Sie das Glas, den Passepartoutkarton und das Objekt mit dem Rückwandkarton in den Rahmen (Abb. 1).

ITL Preparazione

A. Riempire la cornice 1. Capovolgere la cornice 2. Inserire il vetro, il cartone pesante, la fotografia e il materiale di rinforzo nella cornice (Fig. 1).



2

Problèmes et solutions • Solución de Fallas • Problemebehebung • Localizzazione guasti

FR Problème

Les pointes se tordent quand elles sont insérées. Solution: Essayer d'utiliser un insert différent, mieux adapté au bois dur.

ESP Problema

Las puntas se doblan al ser insertadas. Solución: Intente usar una punta diferente que sea más adecuada a la dureza de la madera.

D Problem

Der Stift verbiegt sich beim Einstiften. Lösung: Verwenden Sie einen anderen Stiftyp, der besser für Hartholz geeignet ist.

ITL Problema

Le punte si piegano quando vengono inserite. Soluzione: Tentare di utilizzare un tassello diverso che risulti più adatto legno duro.

FR Préparation (suite)

B. Sélectionner un insert (suite) 2. Faire pivoter la tourelle pour que l'insert choisi soit face au sabot (Fig. 3).

ESP Preparación (continuación)

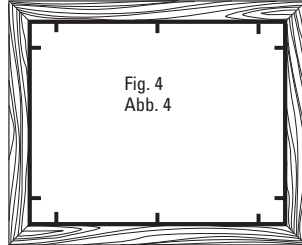
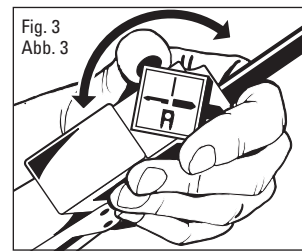
B. Elija una punta (continuación) 2. Rote la torreta de modo que la punta elegida dé frente al pie (Fig. 3).

D Vorbereitung (Fortsetzung)

B. Auswahl eines Stiftyps (Fortsetzung) 2. Drehen Sie das Stiftmagazin so, dass der Stiftyp in Richtung Fuß zeigt (Abb. 3).

ITL Preparazione (continuo)

B. Selezionare un tassello (continuo) 2. Ruotare la torretta così che il tassello scelto sia rivolto verso il piede (Fig. 3).



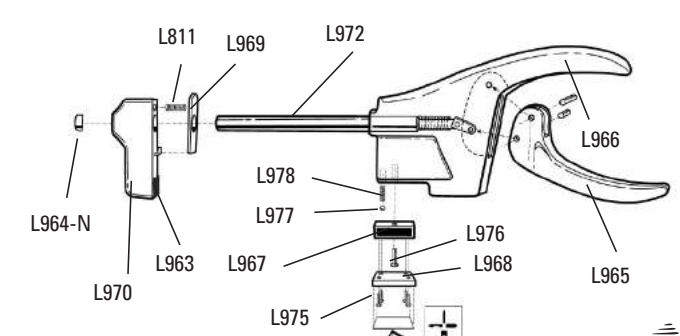
3

Table with 3 columns: Ref., Description, Qté. Lists parts like Ressort de plaque de verrou, Butée, Apoyo, Casquillo del Extremo, Manija, etc.

Table with 3 columns: No., Descripción, Ctd. Lists parts like Resorte de la Placa Aseguradora, Paraurti, Cappeluccio di estremità, Manico, etc.

Table with 3 columns: Nr., Beschreibung, Anz. Lists parts like Arretierungsplattenfeder, Anschlag, Stangenkappe, Hebelgriff, etc.

Table with 3 columns: N., Descrizione, Qtà. Lists parts like Molla piastra di bloccaggio, Paraurti, Cappuccio di estremità, Manico, etc.



7