

FOAMWERKS™

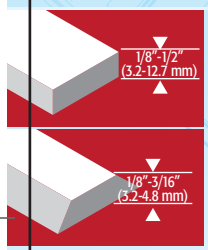
Model WC-6010

FOR USE ON STANDARD FOAMBOARD ONLY
MUST USE FOAMBOARD UNDERLAYMENT WHILE CUTTING


 **FOAMBOARD STRAIGHT/BEVEL CUTTER**


 **CUTTER DROIT/OBLIQUE POUR PLAQUES DE MOUSSE**

 **CORTADORA DE BORDES RECTOS O BISELADOS PARA UNICEL ESPUMADO**



 Contains Foamboard Straight/Bevel Cutter and 2 blades

 Contenu Cutter droit/oblique pour plaques de mousse et 2 lames

 Contiene Cortadora de bordes rectos o biselados para unicel espumado y 2 navajas

www.logangraphic.com

FOAMWERKS™

Model WC-6010

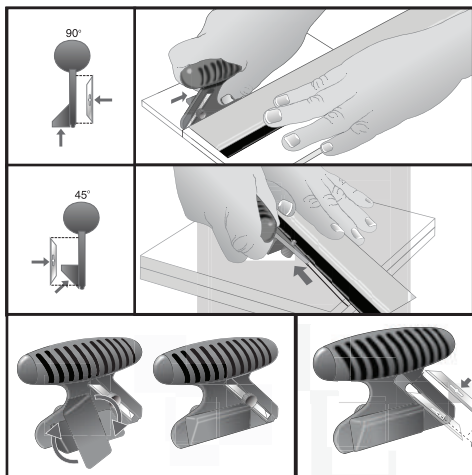


Use blade:
Utiliser lame:
Utilizar navajas:

WC-5, WC-20

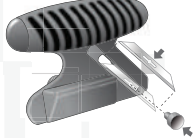
FOAMBOARD STRAIGHT/BEVEL CUTTER
CUTTER DROIT/OBLIQUE POUR
PLAQUES DE MOUSSE
CORTADORA DE BORDES RECTOS O
BISELADOS PARA UNICEL ESPUMADO

NOTE: Use only scrap foamboard underneath the piece being cut.

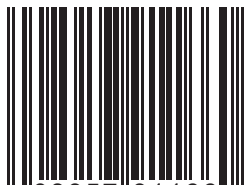


Use with FoamWerks Channel Rail Model #W-3001 or any suitable straight edge. For detailed instructions, go to www.logangraphic.com
À utiliser avec FoamWerks Channel Rail #W-3001 ou toute autre règle droite appropriée. Pour des instructions détaillées, visitez le site www.logangraphic.com

Usar con FoamWerks Sobre Riel Modelo #W-3001 ó cualquier cortada derecha. Para obtener instrucciones detalladas, visite www.logangraphic.com



LOGAN®
GRAPHIC PRODUCTS, INC.
Tools for Art - Tools for Life



0 08957 91166 0

Logan Graphic Products, Inc.
1100 Brown Street, Wauconda, IL 60084, USA
1 847 526 5515 • Toll Free 1 800 331 6232
J1570 REV 2 5-15



Recyclable

Made in USA of domestic and
foreign components