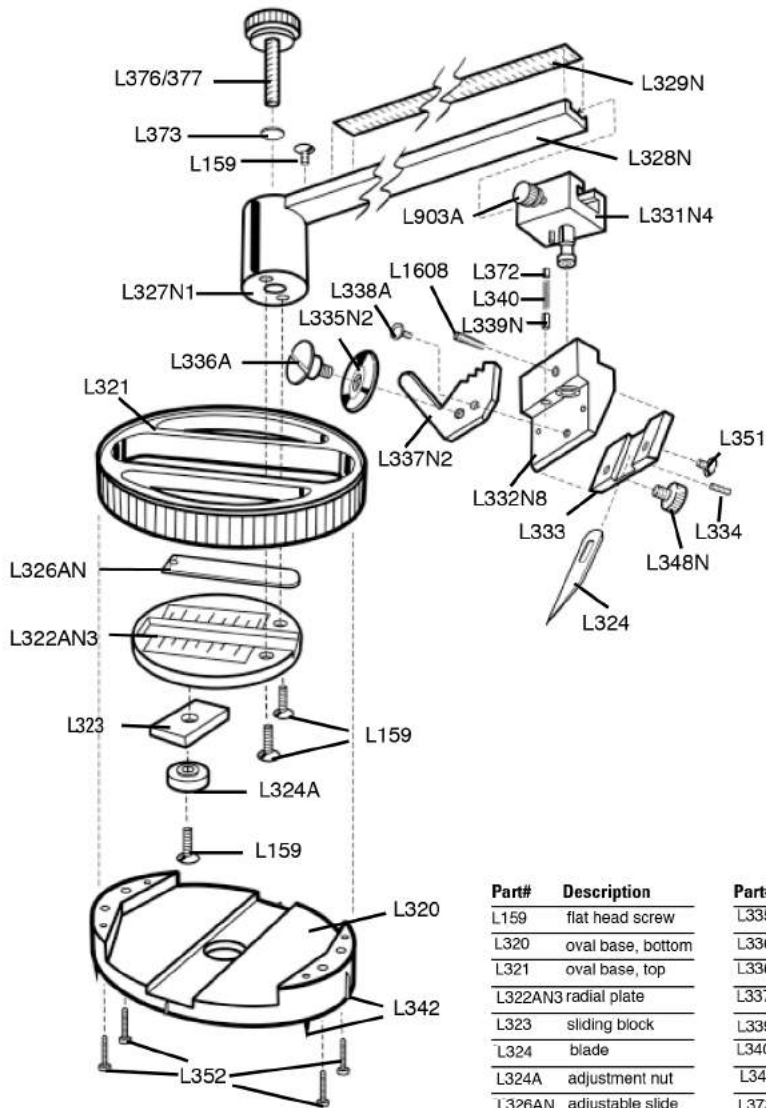


Parts Schematic MODEL 201



Part#	Description
L159	flat head screw
L320	oval base, bottom
L321	oval base, top
L322AN3	radial plate
L323	sliding block
L324	blade
L324A	adjustment nut
L326AN	adjustable slide
L327N1	oval post
L328N	radius arm
L329N	scale
L331N4	channel block
L332N8	swivel foot
L333	cover plate
L334N	tip setting screw

Part#	Description
L335N2	roller wheel
L336A	pivot pin body
L336B	pivot pin (not shown)
L337N2	stepping lever
L339N	pressure pin
L340	tension spring
L342N	holding pins X 4
L348N	blade holding knob
L351	blade cover screw
L352	base screw
L1608	holding pin
L372	step tension adjustment screw
L376/377	adjustment knob
L903A	channel block screw

For technical service or replacement parts call 1-800-331-6232