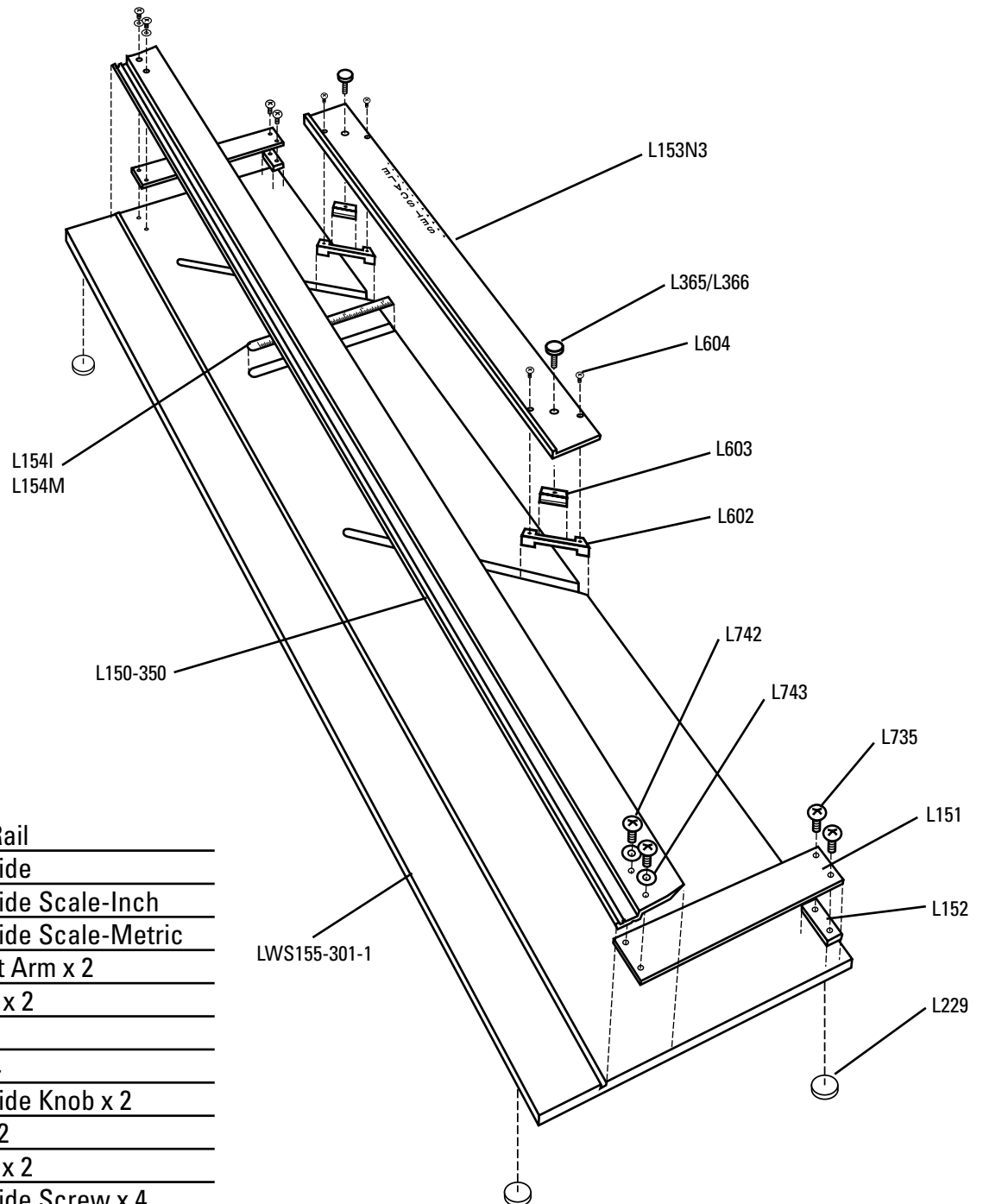


COMPACT CLASSIC MAT CUTTER

MODEL 301-1

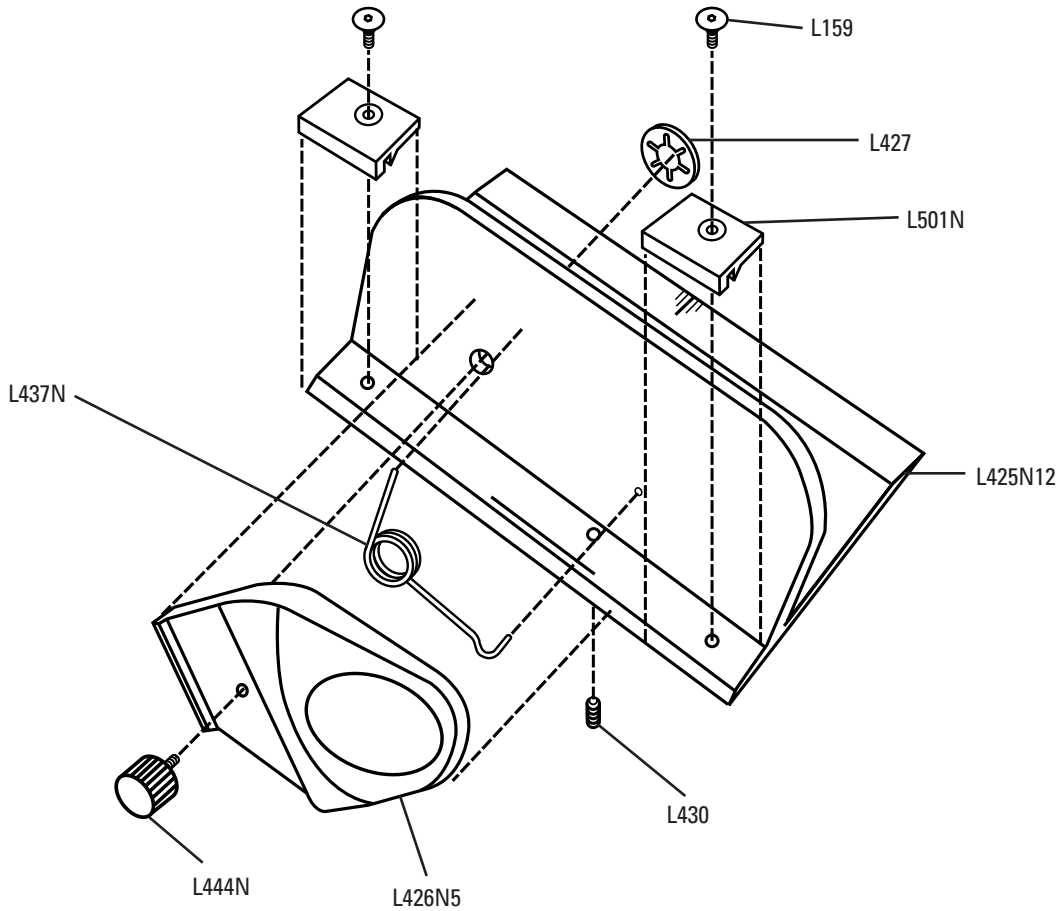
PARTS DIAGRAM



Parts List

L150-350	Guide Rail
L153N3	Mat Guide
L154I	Mat Guide Scale-Inch
L154M	Mat Guide Scale-Metric
L151	Support Arm x 2
L152	Spacer x 2
LWS155-301-1	Board
L229	Feet x 4
L365/L366	Mat Guide Knob x 2
L602	Slide x 2
L603	Wedge x 2
L604	Mat Guide Screw x 4
L742	Guide Rail Screw x 4
L743	Guide Rail Washer x 4
L735	Support Arm Screw x 4





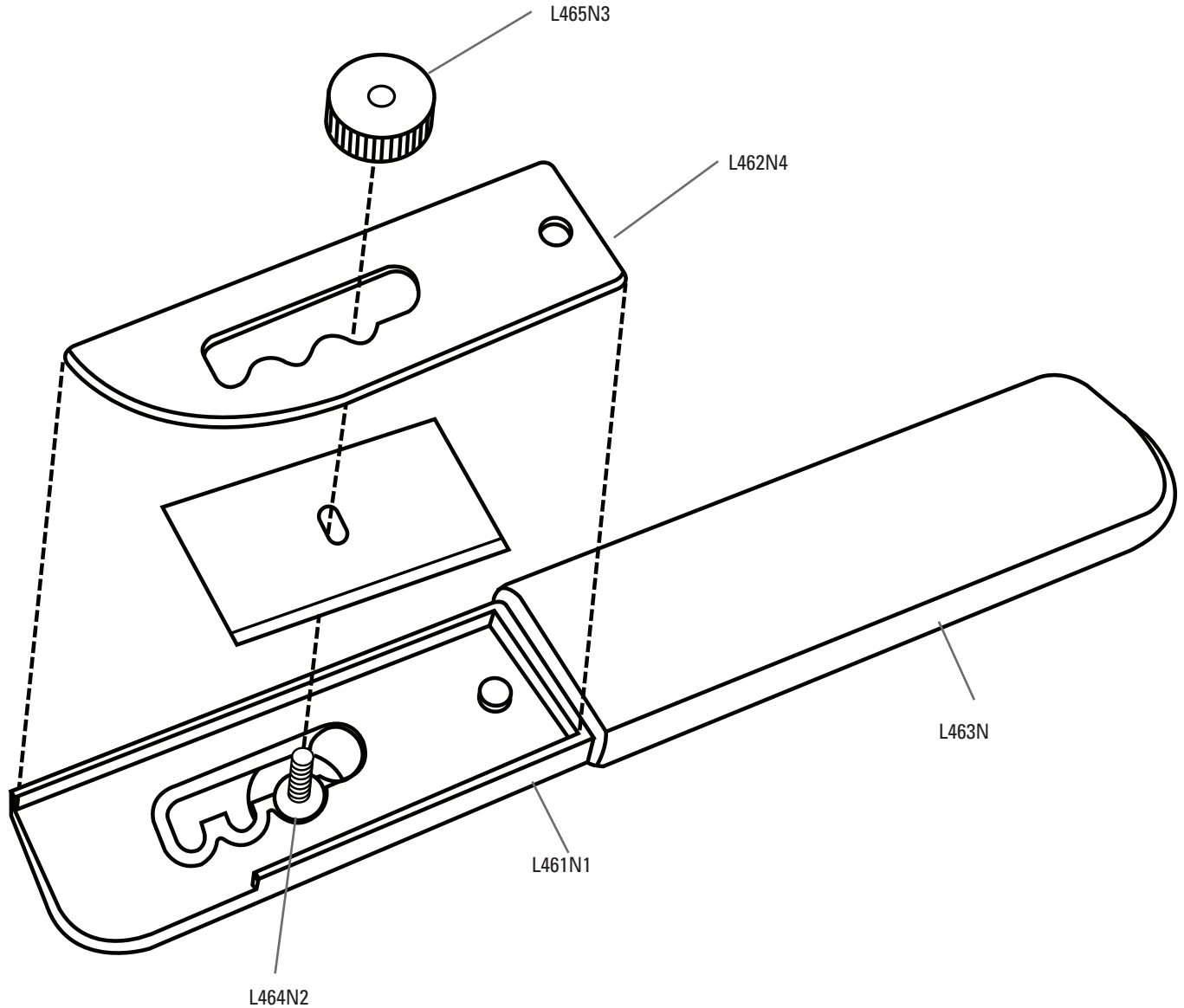
Parts List

L425N12	Cutting Head
L426N5	Blade Holder
L427	Push Nut
L430	Depth Screw
L444N	Blade Knob
L501N	Nylon Guide X 2
L159	Screw X 2
L437N	Spring

MATKNIFE

MODEL 500

PARTS DIAGRAM



Parts List

L461N1	Handle
L462N4	Blade Cover
L463N	Grip
L464N2	Bolt
L465N3	Nut