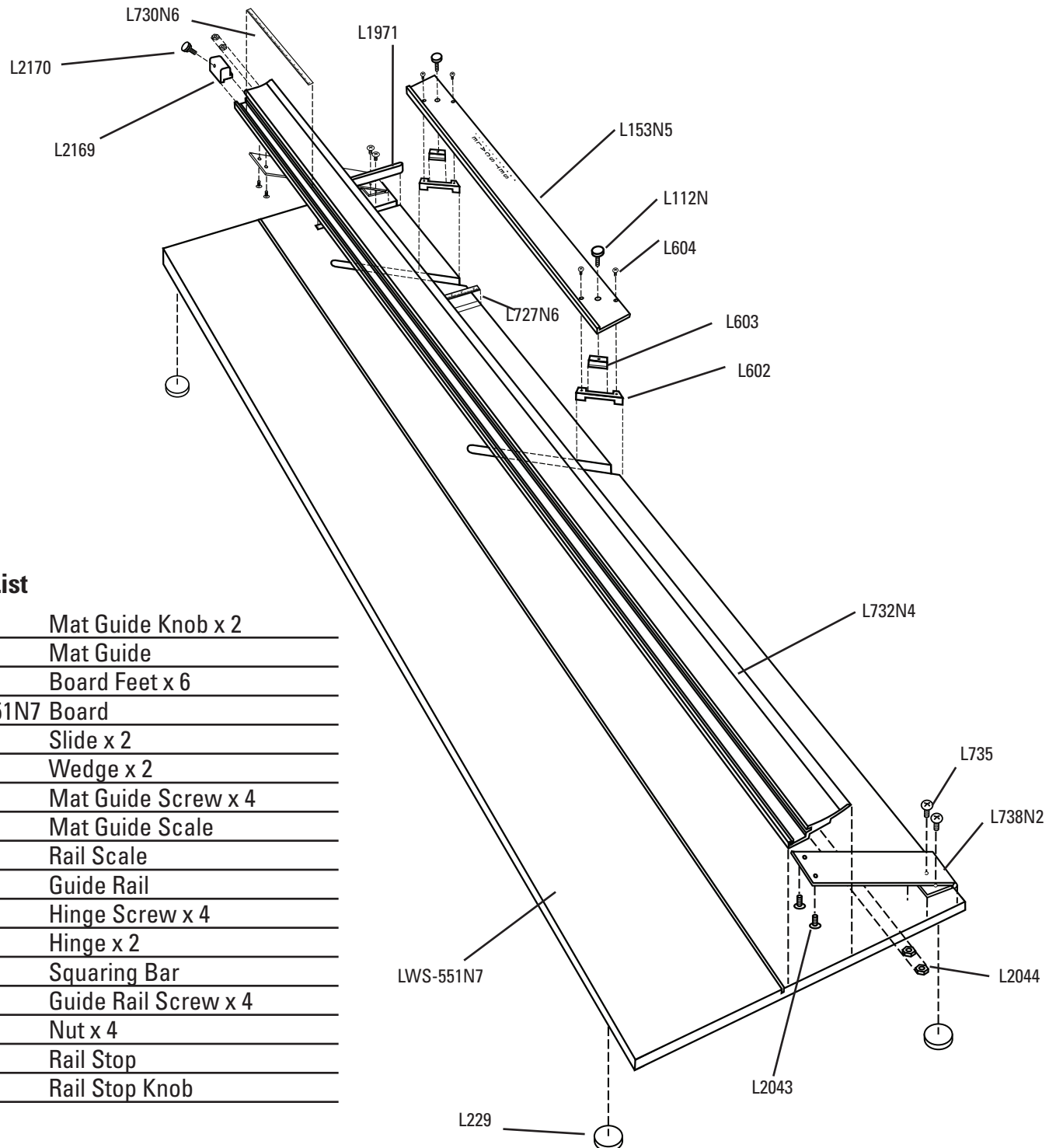


ARTIST CLASSIC MAT CUTTER

MODEL 401-1

PARTS DIAGRAM



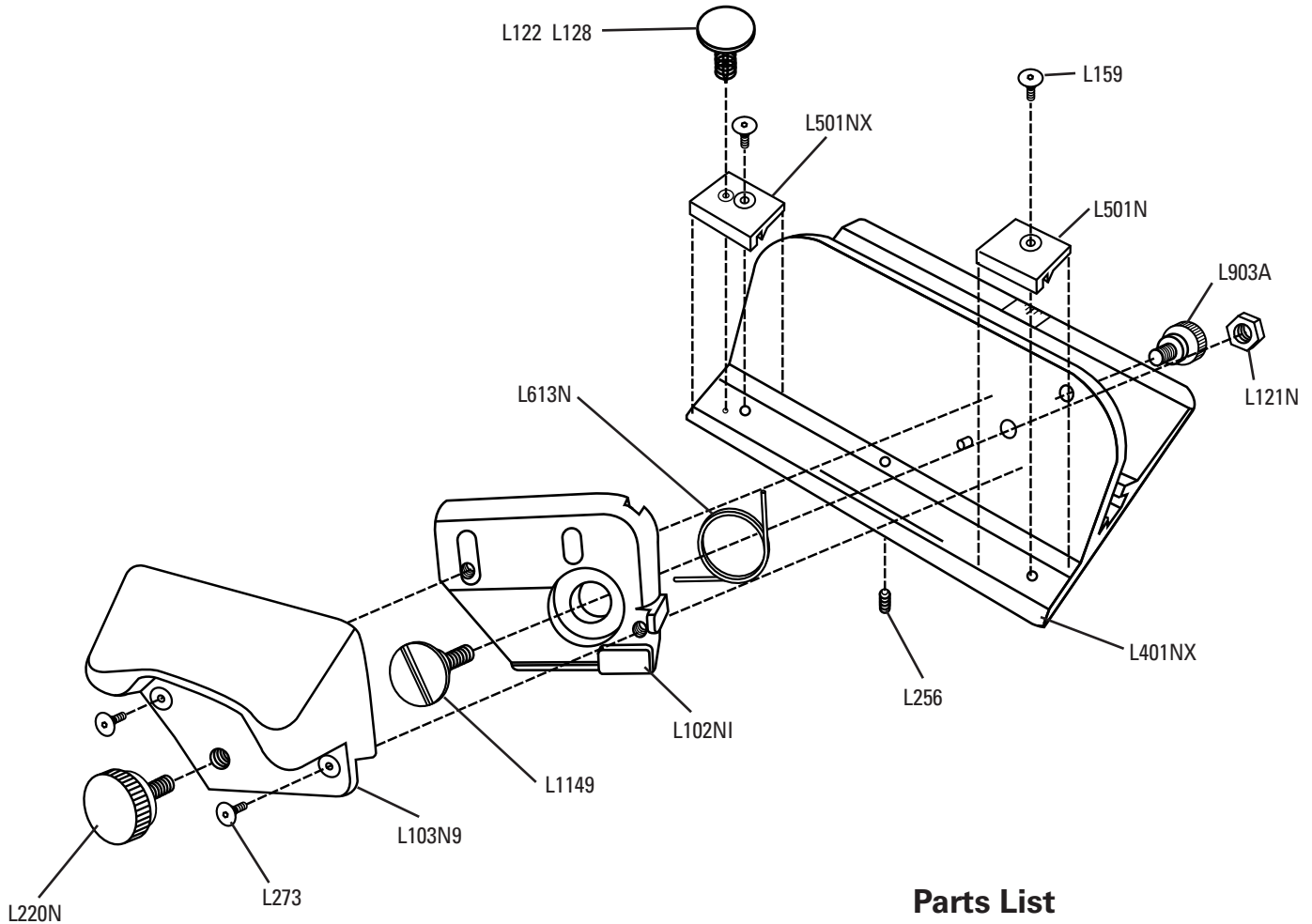
Parts List

L112N	Mat Guide Knob x 2
L153N5	Mat Guide
L229	Board Feet x 6
LWS-551N7	Board
L602	Slide x 2
L603	Wedge x 2
L604	Mat Guide Screw x 4
L727N6	Mat Guide Scale
L730N6	Rail Scale
L732N4	Guide Rail
L735	Hinge Screw x 4
L738N2	Hinge x 2
L1971	Squaring Bar
L2043	Guide Rail Screw x 4
L2044	Nut x 4
L2169	Rail Stop
L2170	Rail Stop Knob



BEVEL MAT CUTTER

MODEL 702-1



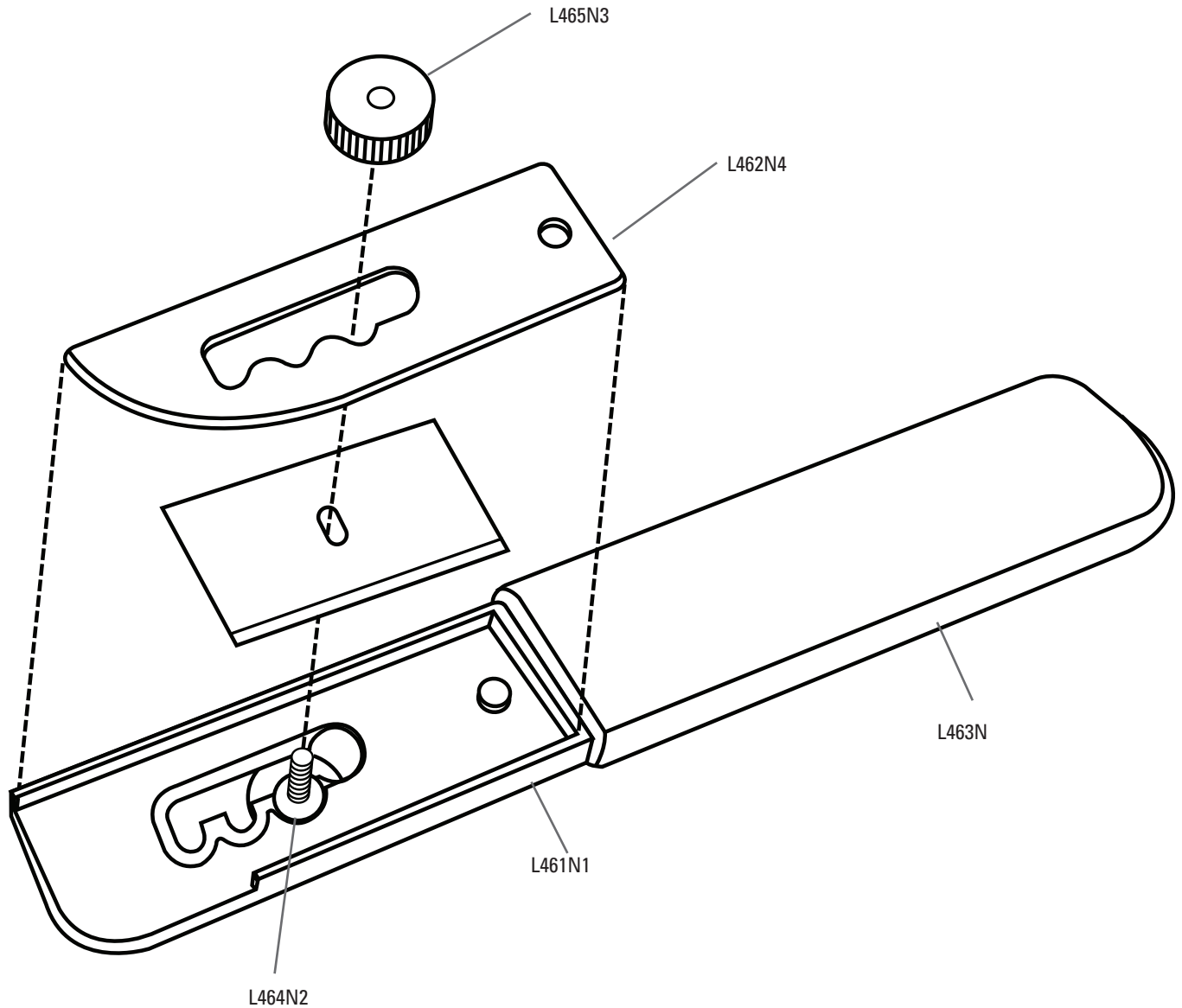
Parts List

L122	Anti-Crawl Spring
L613N	Spring
L220N	Blade Knob
L273	Screw X 2
L103N9	Blade Cover
L1149	Shoulder Bolt
L102NI	Blade Holder
L256	Depth Screw
L401NX	Cutting Head
L121N	Nut
L903A	Retainer Screw
L501N	Nylon Guide
L501NX	Nylon Guide
L159	Screw X 2

MATKNIFE

MODEL 500

PARTS DIAGRAM



Parts List

L461N1	Handle
L462N4	Blade Cover
L463N	Grip
L464N2	Bolt
L465N3	Nut