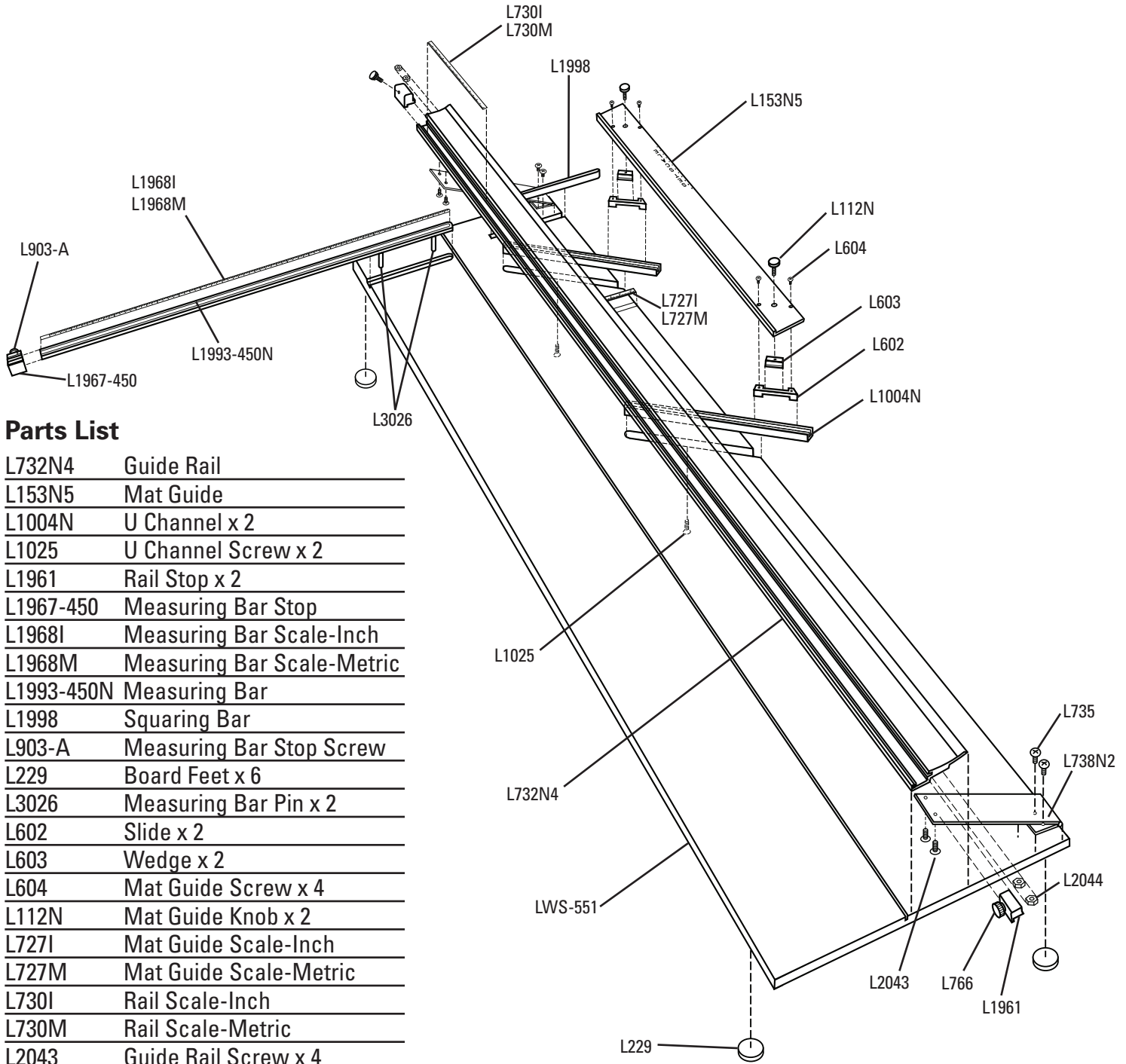


ARTIST ELITE MAT CUTTER

MODEL 450-1

PARTS DIAGRAM

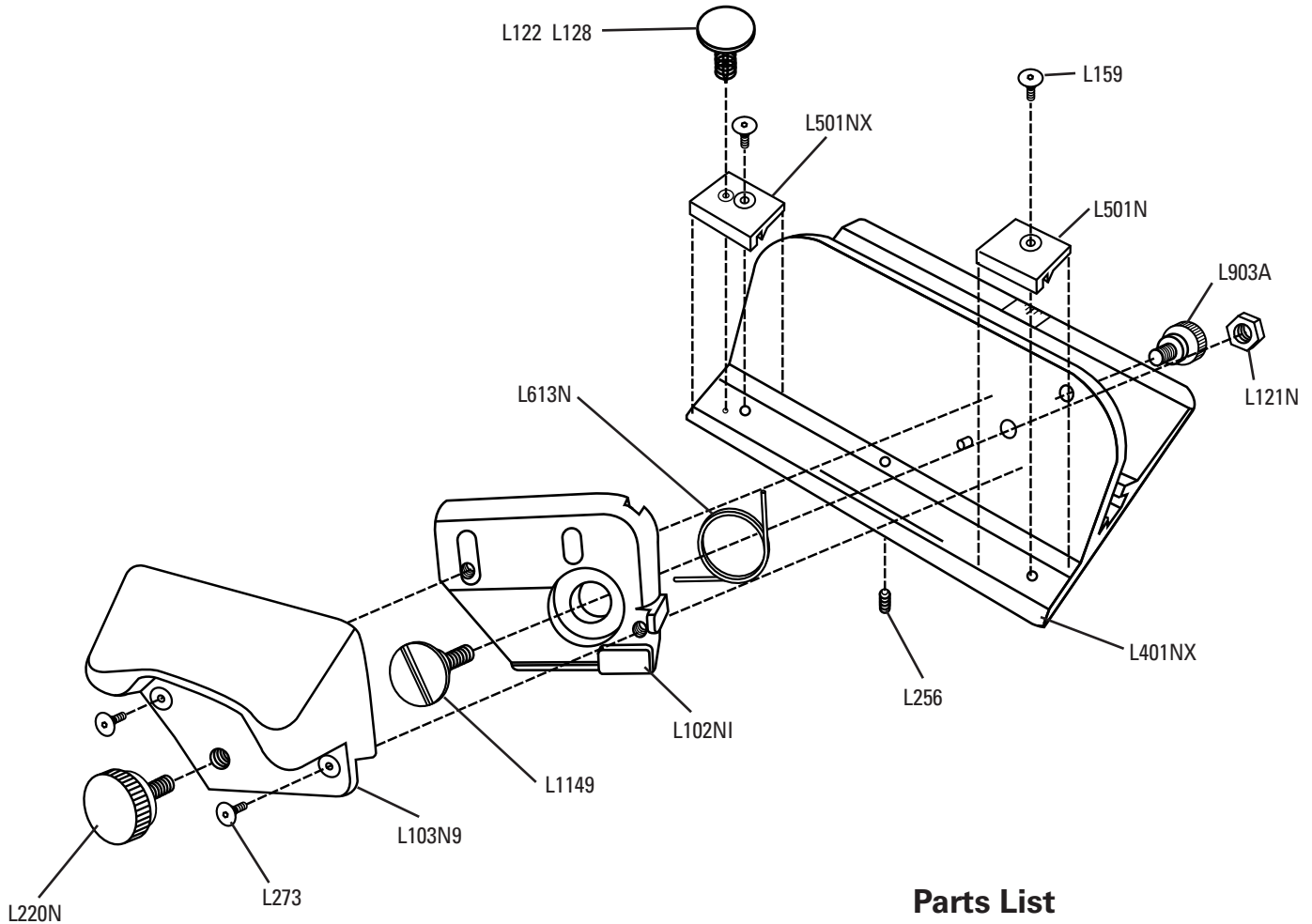


Parts List

L732N4	Guide Rail
L153N5	Mat Guide
L1004N	U Channel x 2
L1025	U Channel Screw x 2
L1961	Rail Stop x 2
L1967-450	Measuring Bar Stop
L1968I	Measuring Bar Scale-Inch
L1968M	Measuring Bar Scale-Metric
L1993-450N	Measuring Bar
L1998	Squaring Bar
L903-A	Measuring Bar Stop Screw
L229	Board Feet x 6
L3026	Measuring Bar Pin x 2
L602	Slide x 2
L603	Wedge x 2
L604	Mat Guide Screw x 4
L112N	Mat Guide Knob x 2
L727I	Mat Guide Scale-Inch
L727M	Mat Guide Scale-Metric
L730I	Rail Scale-Inch
L730M	Rail Scale-Metric
L2043	Guide Rail Screw x 4
L766	Rail Stop Knob x 2
LWS-551	Board
L738N2	Hinge x 2
L735	Hinge Screw x 4
L2044	Nut x 4

BEVEL MAT CUTTER

MODEL 702-1



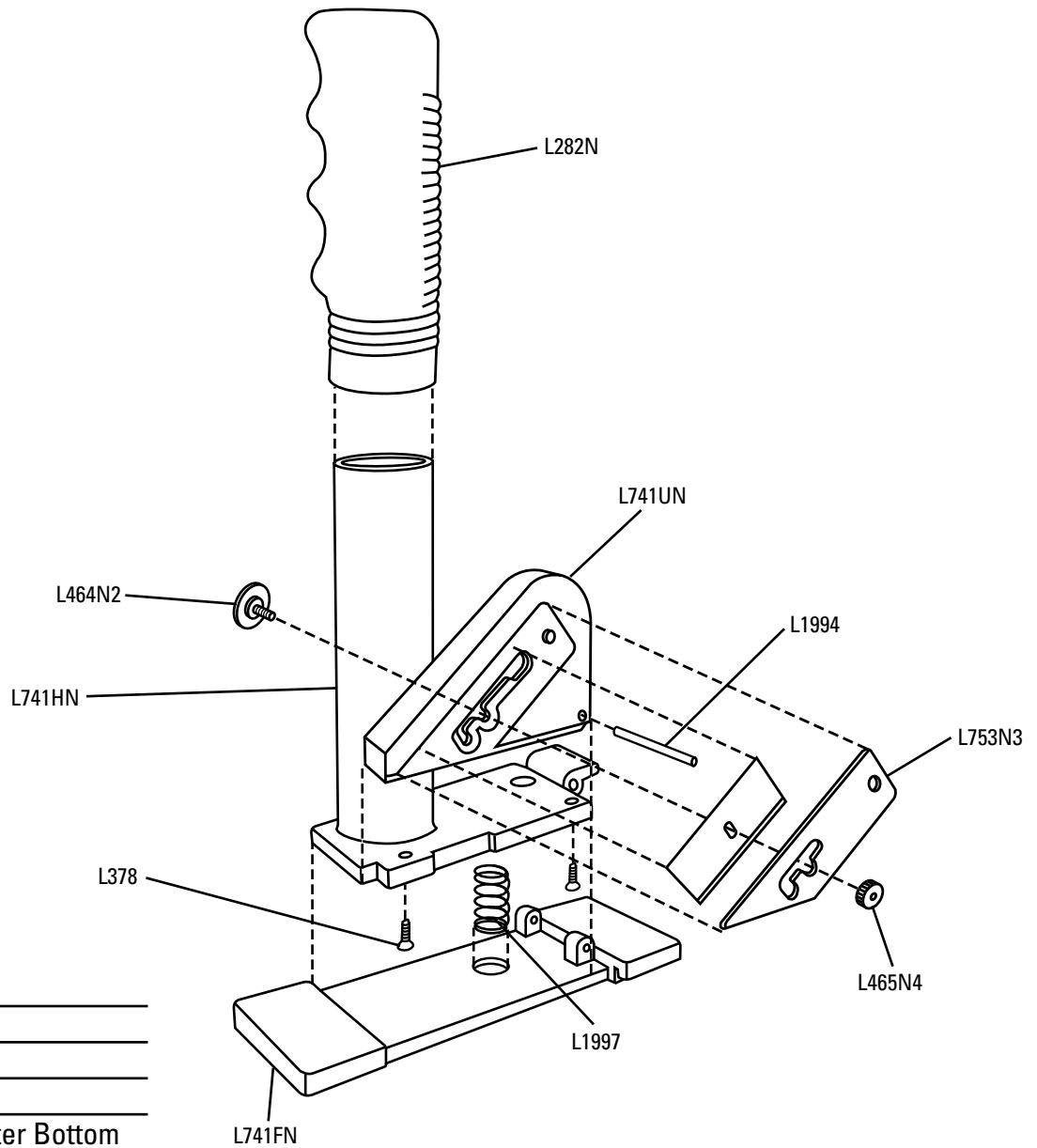
Parts List

L122	Anti-Crawl Spring
L613N	Spring
L220N	Blade Knob
L273	Screw X 2
L103N9	Blade Cover
L1149	Shoulder Bolt
L102NI	Blade Holder
L256	Depth Screw
L401NX	Cutting Head
L121N	Nut
L903A	Retainer Screw
L501N	Nylon Guide
L501NX	Nylon Guide
L159	Screw X 2

ARTIST ELITE STRAIGHT CUTTER

MODEL 701-1

PARTS DIAGRAM



Parts List

L282N	Handle Grip
L378	Screw x 2
L464N2	Bolt
L465N4	Nut
L741FN	Straight Cutter Bottom
L741HN	Straight Cutter Handle
L741UN	Straight Cutter Upright
L753N3	Cover Plate
L1994	Hinge Pin
L1997	Spring

