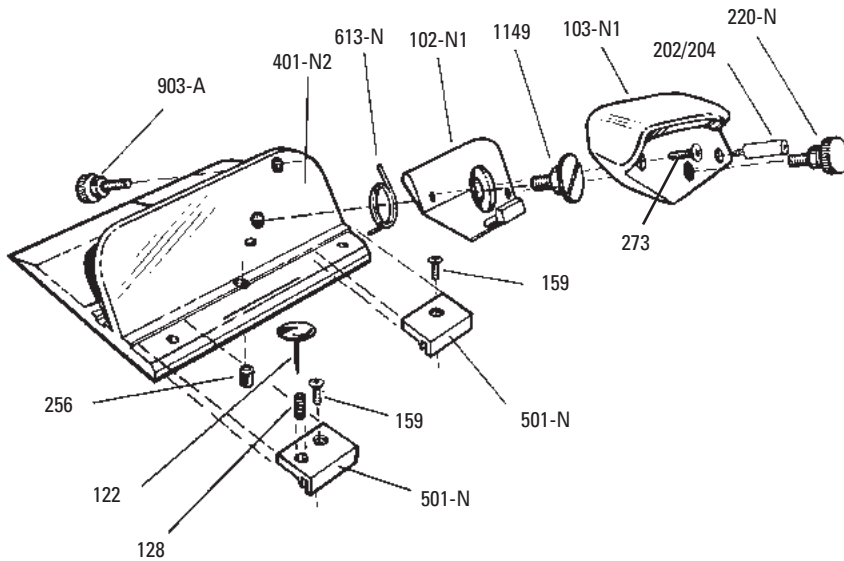


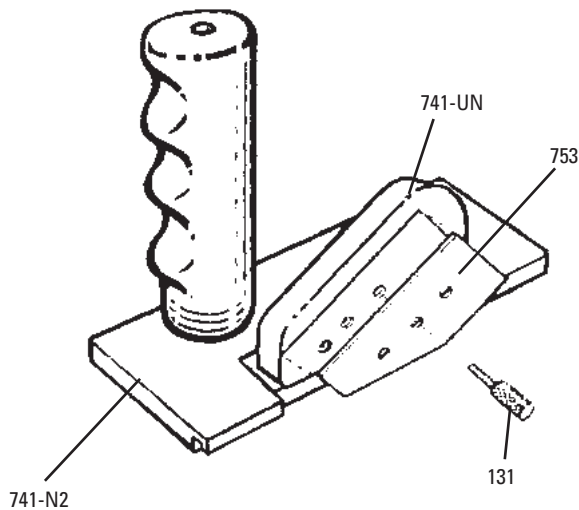
Parts List

A. Cutting Heads



702 Bevel Cutting Head

903-A	Retaining Screw
401-N2	Cutting Head Base
613-N	Torsion Spring
102-N1	Bevel Blade Holder
1149	Shoulder Screw
103-N1	Bevel Blade Cover
273	Blade Cover Screw
220-N	Blade Screw
501-N	Bearing (2)
128	Spring
122	Anti-crawl Pin
256	Blade Depth Screw
159	Bearing Screw (2)
202/204	Thumb Knob

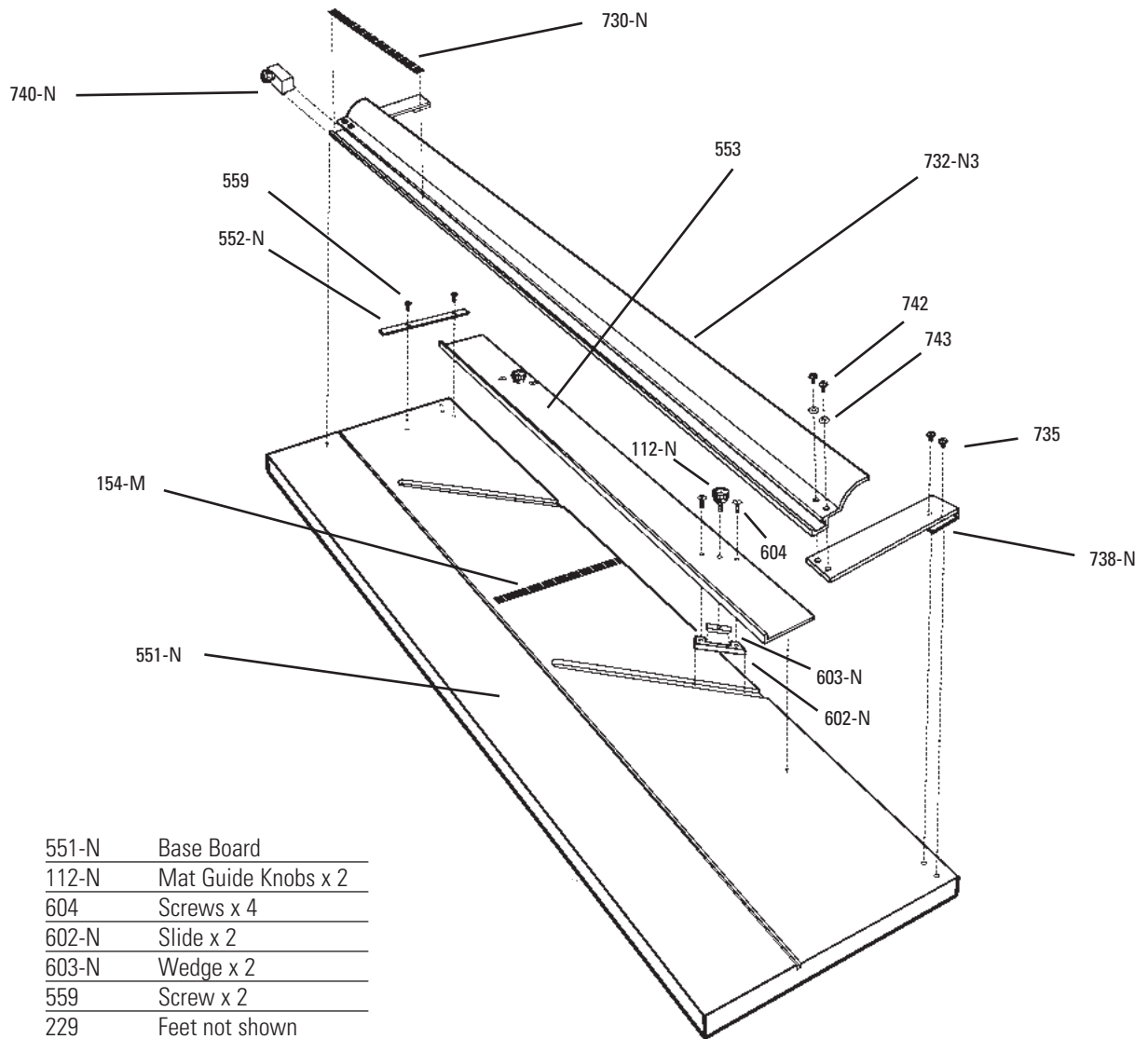


701 Straight Cutting Head

741-UN	Upright Base
753	Blade Cover
131	Knurled Screw
741-N2	Straight Cut Base

#450 Intermediate+

B. Base Board



551-N	Base Board
112-N	Mat Guide Knobs x 2
604	Screws x 4
602-N	Slide x 2
603-N	Wedge x 2
559	Screw x 2
229	Feet not shown
738-N	Hinges x 2
743	Washers x 4
742	Screws x 4
154-M	Mat Guide Scale
553	Mat Guide
552-N	Squaring Bar
735	Woodscrews x 4
740-N	Production Stop
730-N	Stop Scale
732-N3	Guide Rail