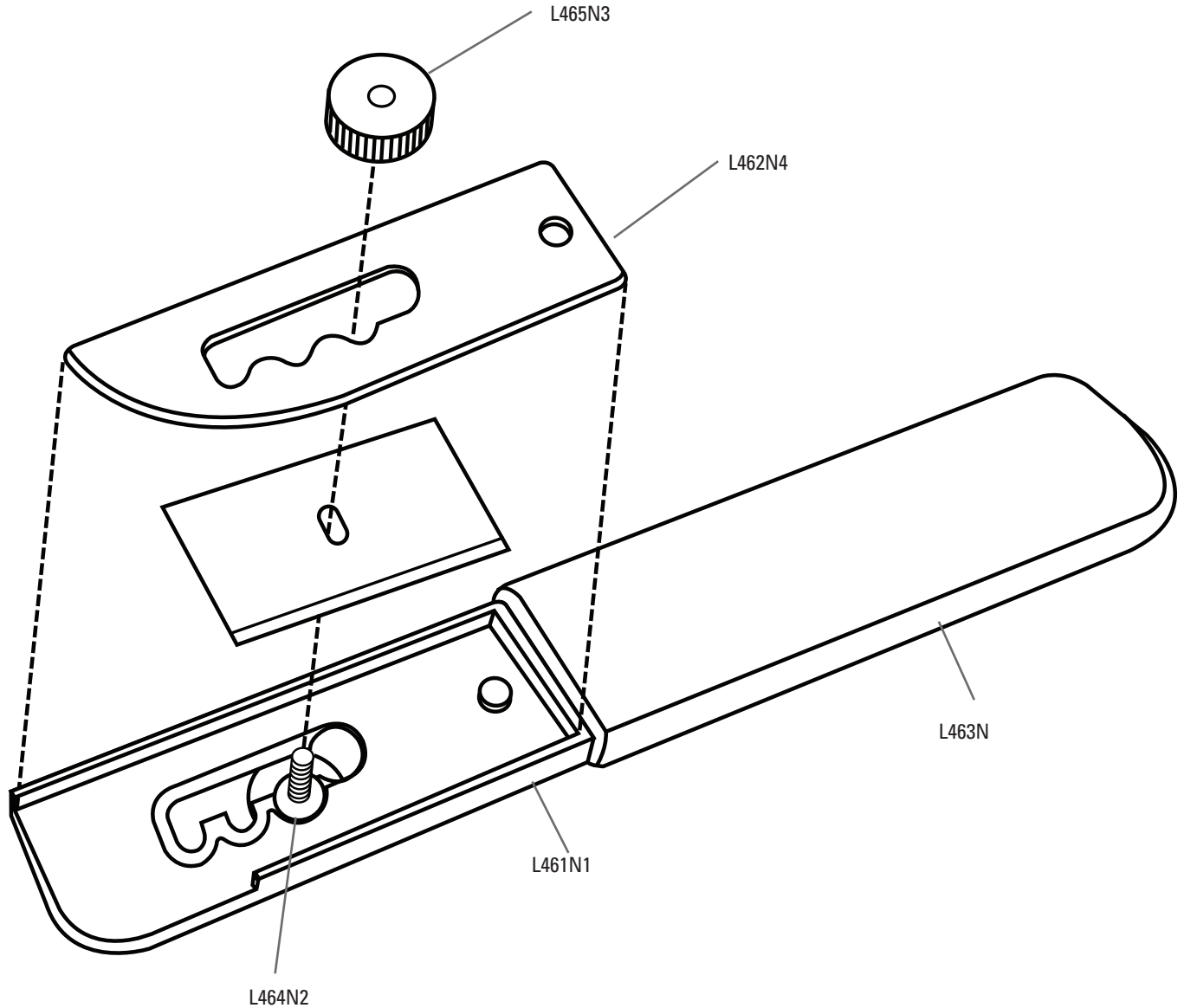


MATKNIFE

MODEL 500

PARTS DIAGRAM



Parts List

L461N1	Handle
L462N4	Blade Cover
L463N	Grip
L464N2	Bolt
L465N3	Nut