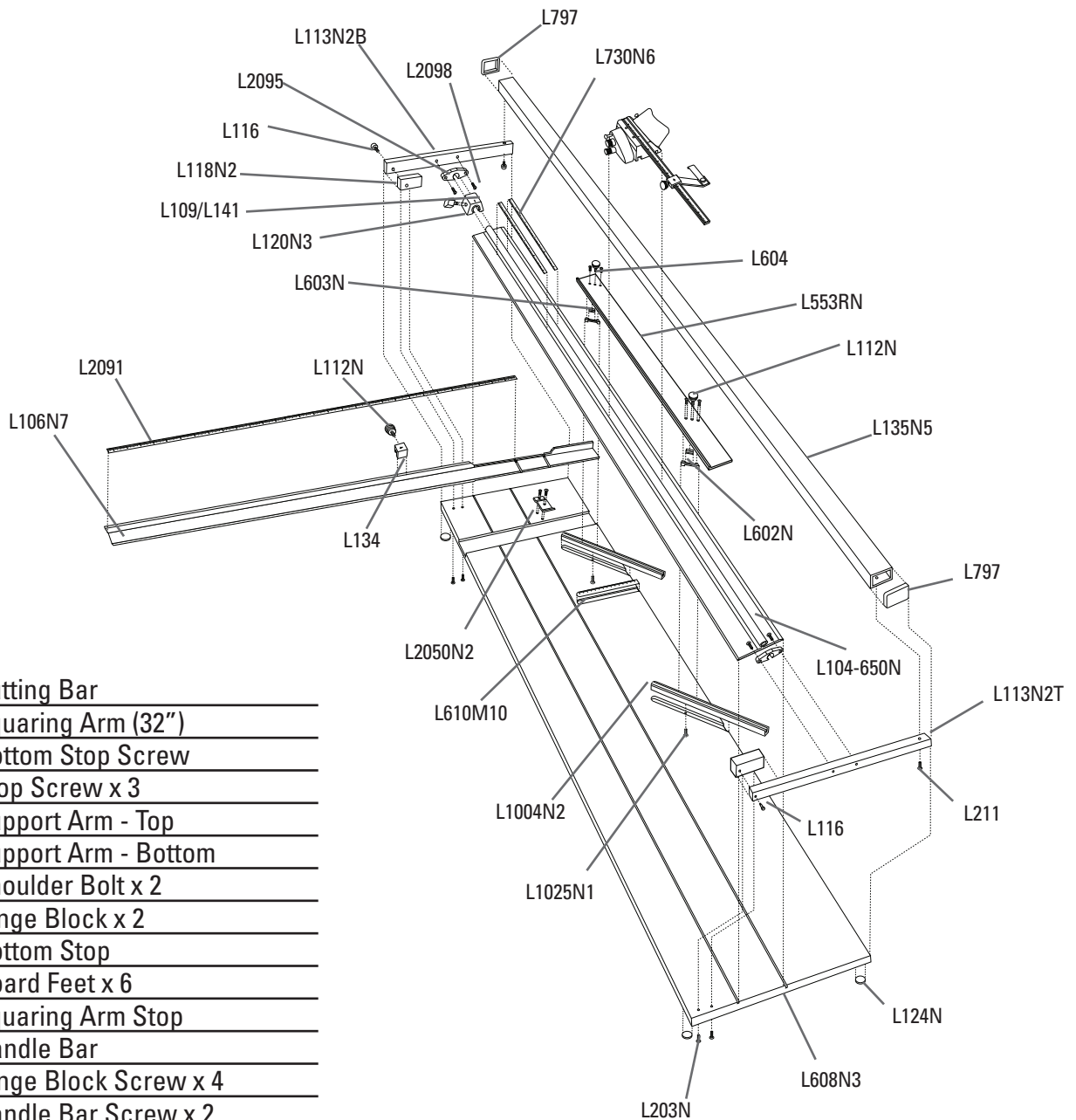


FRAMERS EDGE ELITE MAT CUTTER BOARD

PARTS DIAGRAM

MODEL 650-1



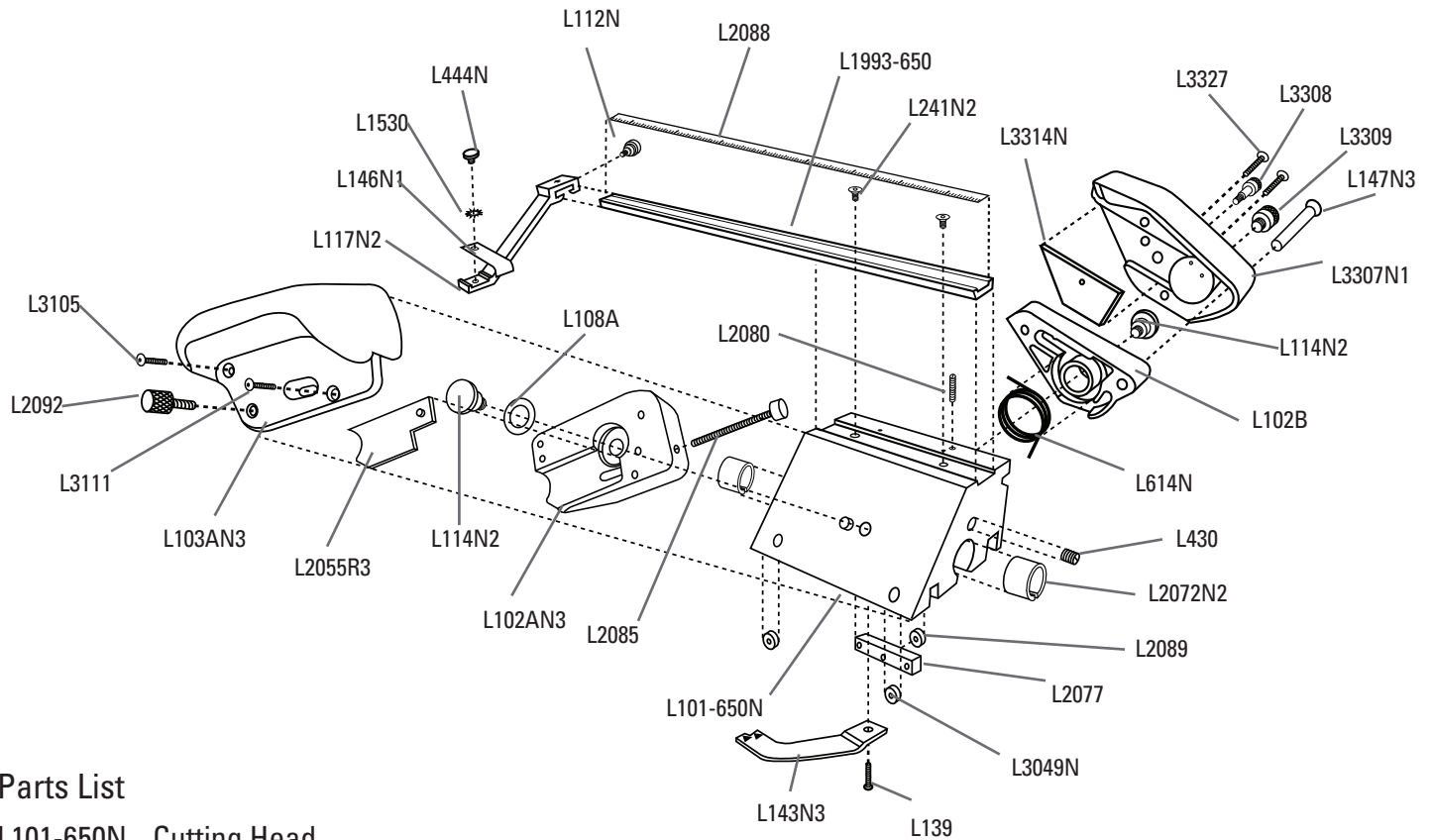
Parts List

| | |
|-----------|-----------------------|
| L104-650 | Cutting Bar |
| L106N7 | Squaring Arm (32") |
| L109/L141 | Bottom Stop Screw |
| L112N | Stop Screw x 3 |
| L113N2T | Support Arm - Top |
| L113N2B | Support Arm - Bottom |
| L116 | Shoulder Bolt x 2 |
| L118N2 | Hinge Block x 2 |
| L120N3 | Bottom Stop |
| L124N | Board Feet x 6 |
| L134 | Squaring Arm Stop |
| L135N5 | Handle Bar |
| L203N3 | Hinge Block Screw x 4 |
| L211 | Handle Bar Screw x 2 |
| L553RN | Mat Guide |
| L602N | Mat Guide Slide x 2 |
| L603N | Mat Guide Wedge x 2 |
| L604 | Mat Guide Screw x 4 |
| L608N3 | Base Board |
| L610M10 | Mat Guide Scale |
| L730N6 | Cutting Bar Scale x 2 |
| L797 | End Cap x 2 |

| | |
|---------|-----------------------------|
| L1004N2 | Mat Guide Channel x 2 |
| L1025N1 | Mat Guide Channel Screw x 2 |
| L2050N | Square Arm Plate |
| L2091 | Squaring Arm Scale |
| L2095 | Support Arm Block x 2 |
| L2098 | Support Arm Block Screw x 4 |



PARTS DIAGRAM



Parts List

| | |
|-----------|-----------------------|
| L101-650N | Cutting Head |
| L102B | St. Blade Holder |
| L102AN3 | Bevel Blade Holder |
| L103AN3 | Bevel Cover |
| L108A | Shim |
| L112N | Stop Screw |
| L114N2 | Shoulder Bolt x 2 |
| L117N2 | Adjustment Stop |
| L139 | Indicator Screw |
| L143N3 | Indicator Plate |
| L146N1 | Stop Arm |
| L147N3 | Plunger Pin |
| L241N2 | M.S. Bar Screw x 2 |
| L430 | Overcut Adj. Screw |
| L444N | Knob Screw |
| L614N | St. Cut Return Spring |
| L1530 | Washer |
| L1993-650 | M.S. Bar |
| L2055R2 | Bevel Blade Cover |

| | |
|---------|---------------------------|
| L2072N2 | Cutting Head Bushing x 2 |
| L2077 | Lever Block |
| L2080 | Lever Adj. Screw |
| L2085 | Bevel Depth Screw |
| L2088 | M.S. Scale |
| L2089 | Adjustable Bearing |
| L2092 | Bevel Blade Screw |
| L3049N | Fixed Bearing x 2 |
| L3105 | Bevel Cover Screw - Lng |
| L3111 | Bevel Cover Screw - Short |
| L3307N1 | St. Blade Cover |
| L3308 | St. Blade Screw |
| L3309 | St. Blade Adj. Knob |
| L3314N | St. Blade Plate |
| L3327 | St. Cover Screw x 2 |