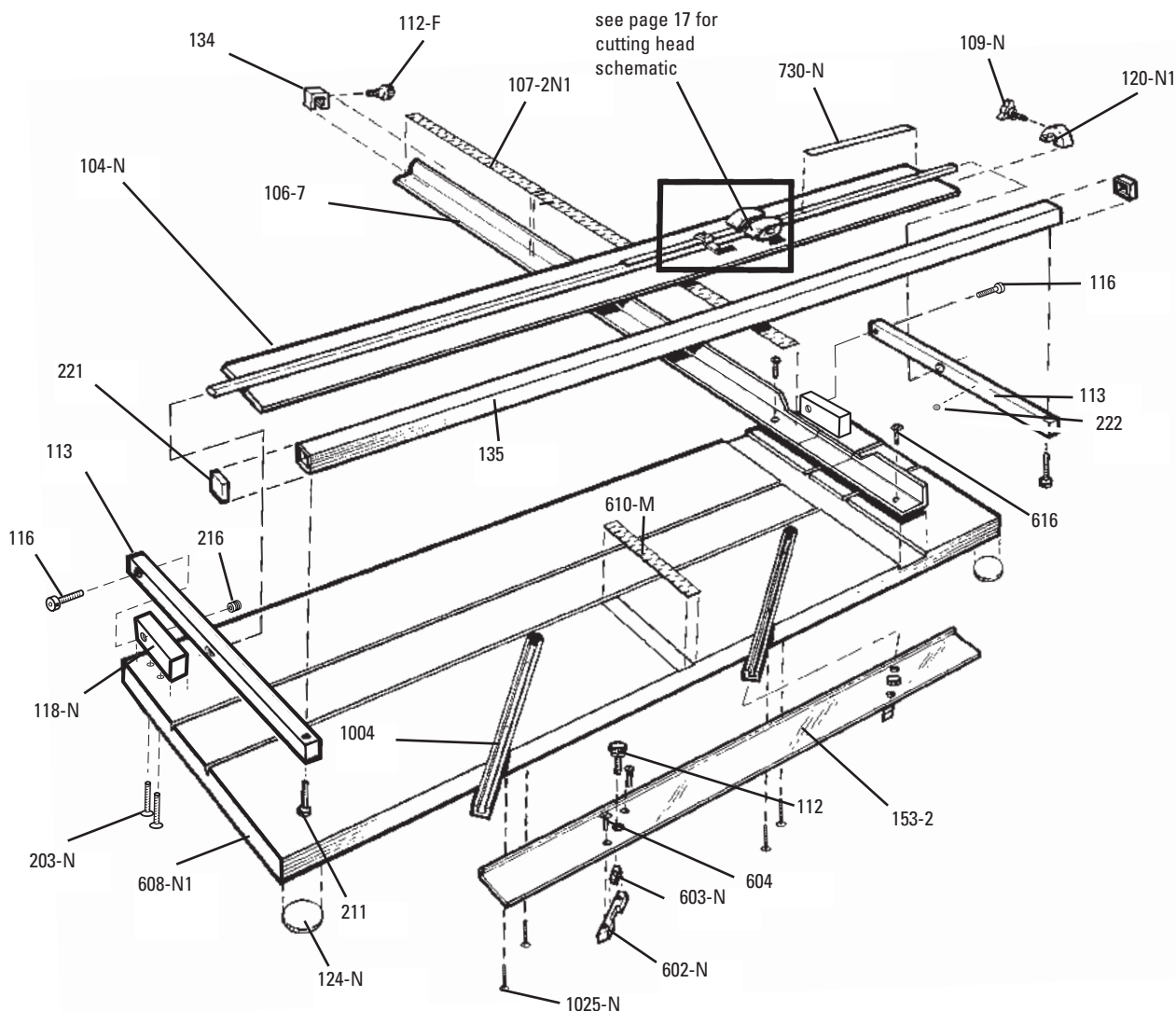


# FRAMER'S EDGE MAT CUTTER MODELS 650, 655 & 660

## PARTS LIST - Base Board



### PART # DESCRIPTION

104-N	cutting bar
106-7	squaring arm 27"
106-9	squaring arm 9"
107-2N1	squaring arm scale
109-N	stop screw
112	mat guide knobs
112-F	stop screw
113	support arm
116	shoulder bolt
118-N	hinge block
120-N1	cutting bar stop

### PART # DESCRIPTION

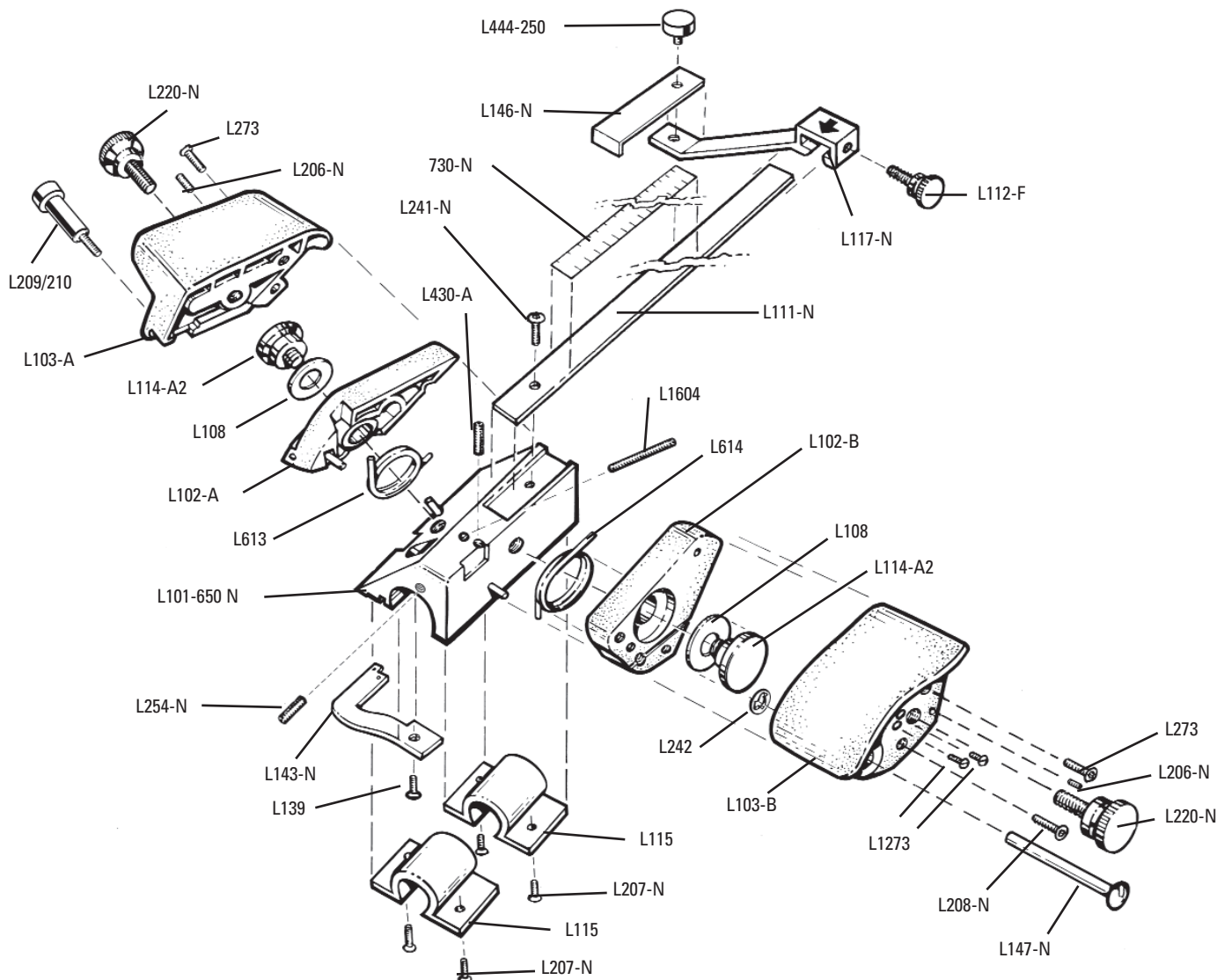
124-N	board foot
134	squaring arm stop
135	handle bar
153-2	mat guide
203-N	screw
211	handle bar screw
216	set screw
221	end cap
222	bumper
602-N	mat guide slide
603-N	mat guide wedge

### PART # DESCRIPTION

604	mat guide screw
608-N1	cutting board
610-M	mat guide scale
616	squaring arm screw
730-N	cutting bar scale
1004	mat guide channel
1025-N	mat guide channel screws

# FRAMER'S EDGE MAT CUTTER MODELS 650, 655 & 660

## PARTS LIST - Cutting Head



PART #	DESCRIPTION		PART #	DESCRIPTION		PART #	DESCRIPTION	
L101-650	cutting head base	1	L143-N	indicator gauge	1	L273	blade cover screw	2
L102-A	bevel blade holder	1	L146-N	movable stop leg	1	L430-A	straight cut blade depth screw	3
L102-B	straight blade holder	1	L147-N	lock-down pin	1	L613	bevel return spring	1
L103-A	bevel blade cover	1	L202/204	post	1	L614	straight return spring	1
L103-B	straight blade cover	1	L206-N	blade tip screw	2	L730-N	movable stop scale	1
L108	shim	1	L207-N	bearing screw	4	L1604	bevel blade depth screw	1
L111-N	scale bar	1	L208-N	cover screw	1	L254-N	overcut set screw	1
L114-A2	shoulder screw	2	L112-F	stop screw	1	L1273	3/8" and 3/16" screws	2
L115	Delrin bearing	2	L220-N	blade screw	2			
L117-N	movable stop arm	1	L241-N	scale bar screw	1			
L139	gauge screw	1	L242	e-ring	1			