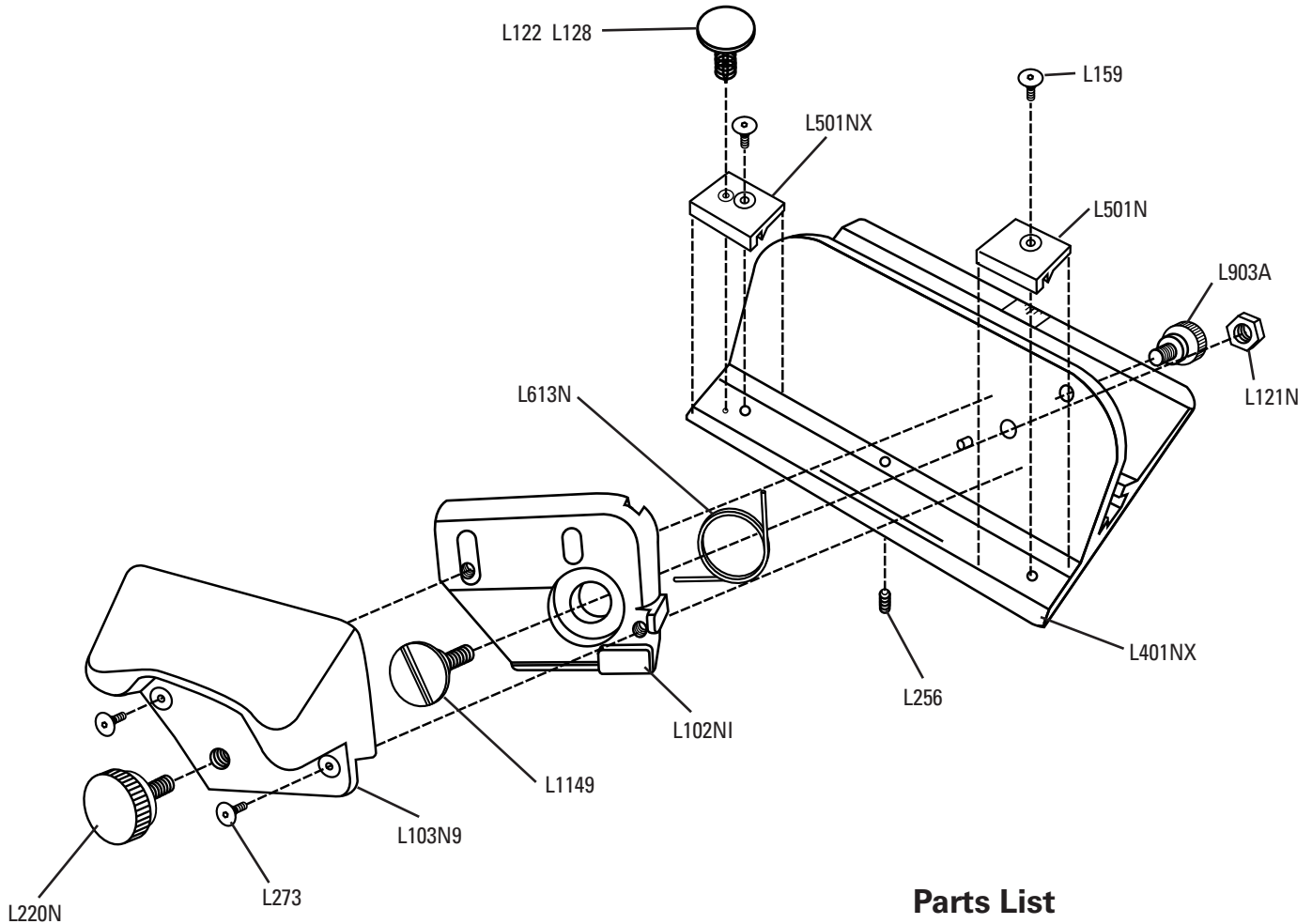


BEVEL MAT CUTTER

MODEL 702-1



Parts List

L122	Anti-Crawl Spring
L613N	Spring
L220N	Blade Knob
L273	Screw X 2
L103N9	Blade Cover
L1149	Shoulder Bolt
L102NI	Blade Holder
L256	Depth Screw
L401NX	Cutting Head
L121N	Nut
L903A	Retainer Screw
L501N	Nylon Guide
L501NX	Nylon Guide
L159	Screw X 2