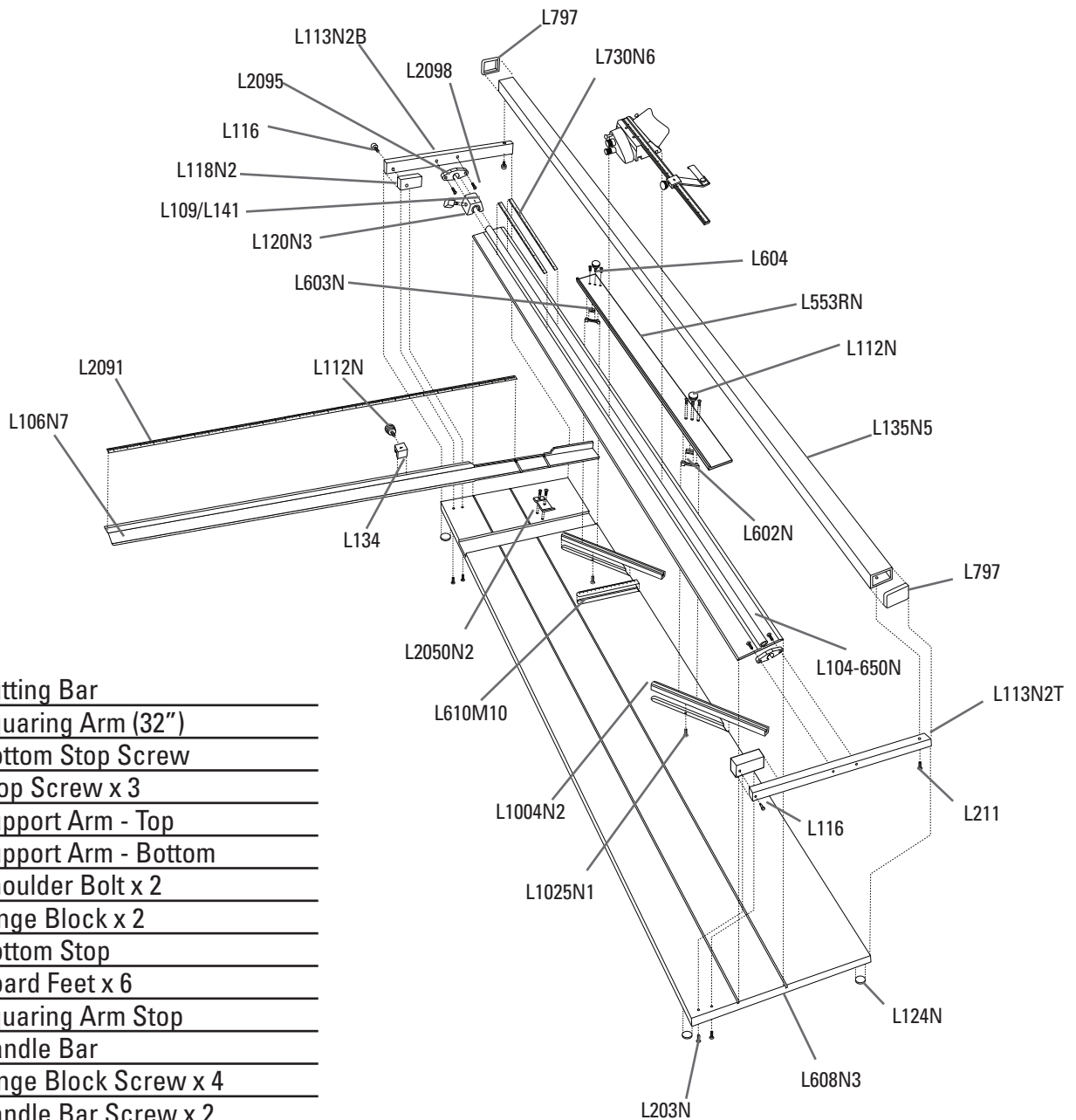


# FRAMERS EDGE ELITE MAT CUTTER BOARD

## PARTS DIAGRAM

MODEL 650-1



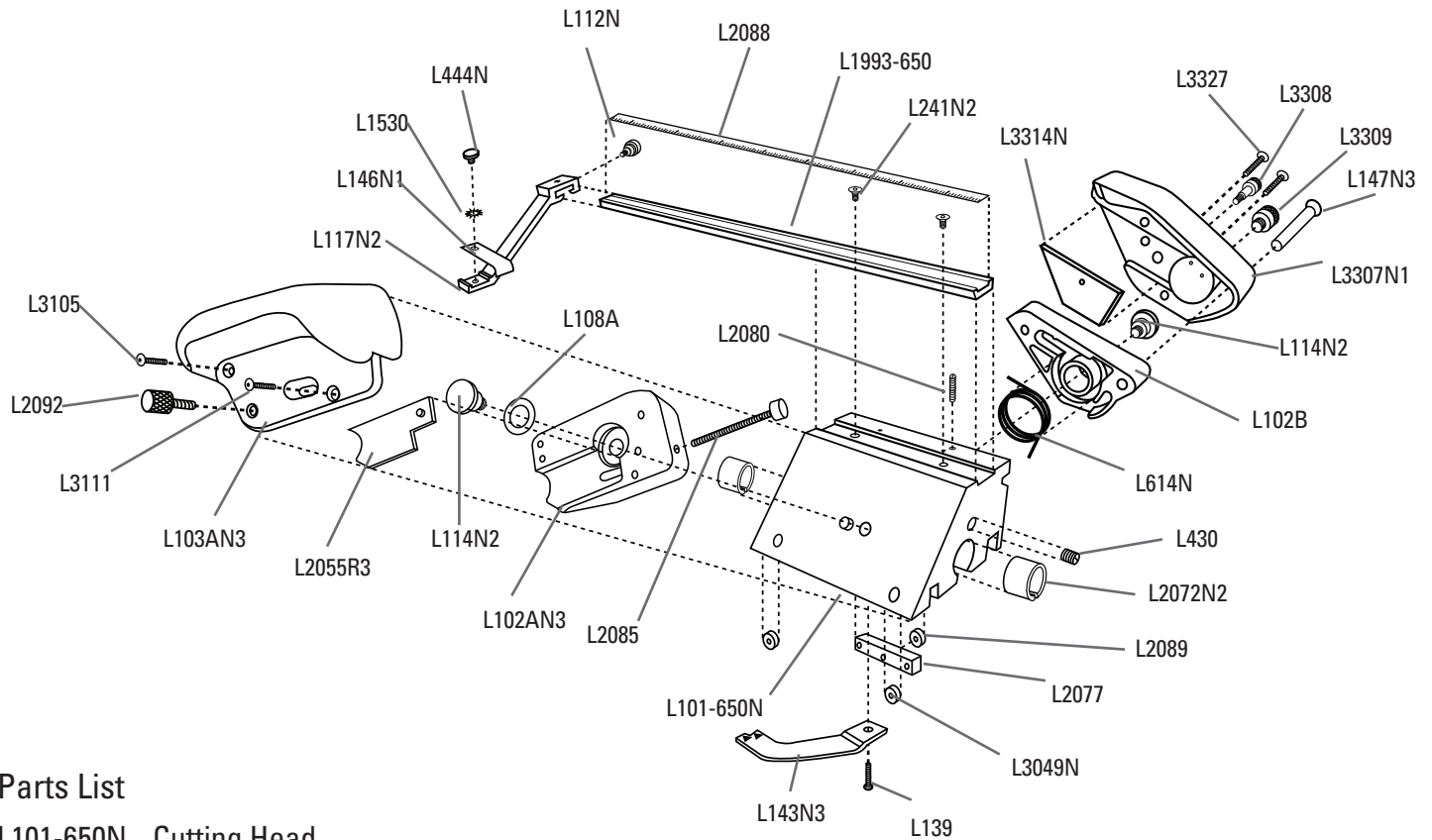
### Parts List

L104-650	Cutting Bar
L106N7	Squaring Arm (32")
L109/L141	Bottom Stop Screw
L112N	Stop Screw x 3
L113N2T	Support Arm - Top
L113N2B	Support Arm - Bottom
L116	Shoulder Bolt x 2
L118N2	Hinge Block x 2
L120N3	Bottom Stop
L124N	Board Feet x 6
L134	Squaring Arm Stop
L135N5	Handle Bar
L203N3	Hinge Block Screw x 4
L211	Handle Bar Screw x 2
L553RN	Mat Guide
L602N	Mat Guide Slide x 2
L603N	Mat Guide Wedge x 2
L604	Mat Guide Screw x 4
L608N3	Base Board
L610M10	Mat Guide Scale
L730N6	Cutting Bar Scale x 2
L797	End Cap x 2

L1004N2	Mat Guide Channel x 2
L1025N1	Mat Guide Channel Screw x 2
L2050N	Square Arm Plate
L2091	Squaring Arm Scale
L2095	Support Arm Block x 2
L2098	Support Arm Block Screw x 4



**PARTS DIAGRAM**



**Parts List**

L101-650N	Cutting Head
L102B	St. Blade Holder
L102AN3	Bevel Blade Holder
L103AN3	Bevel Cover
L108A	Shim
L112N	Stop Screw
L114N2	Shoulder Bolt x 2
L117N2	Adjustment Stop
L139	Indicator Screw
L143N3	Indicator Plate
L146N1	Stop Arm
L147N3	Plunger Pin
L241N2	M.S. Bar Screw x 2
L430	Overcut Adj. Screw
L444N	Knob Screw
L614N	St. Cut Return Spring
L1530	Washer
L1993-650	M.S. Bar
L2055R2	Bevel Blade Cover

L2072N2	Cutting Head Bushing x 2
L2077	Lever Block
L2080	Lever Adj. Screw
L2085	Bevel Depth Screw
L2088	M.S. Scale
L2089	Adjustable Bearing
L2092	Bevel Blade Screw
L3049N	Fixed Bearing x 2
L3105	Bevel Cover Screw - Lng
L3111	Bevel Cover Screw - Short
L3307N1	St. Blade Cover
L3308	St. Blade Screw
L3309	St. Blade Adj. Knob
L3314N	St. Blade Plate
L3327	St. Cover Screw x 2

