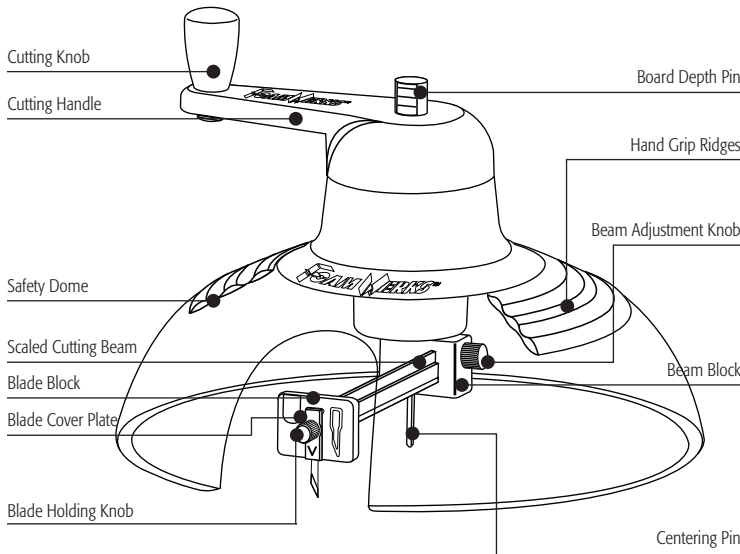


Model WA-8001



Cutting Knob - Knob attached to the Cutting Handle, used to turn the Scaled Cutting Beam and Blade

Cutting Handle - Turns the Scaled Cutting Beam and Blade

Safety Dome - Clear acrylic dome with Hand Grip Ridges that protects the user from sharp blade while allowing clear viewing of blade progression

Scaled Cutting Beam - Adjustable, scaled beam that is set for desired circle diameter cut, also holds blade assembly

Blade Block - Holds blade in place

Blade Cover Plate - Placed between the Blade Holding Knob and the cutting blade, the Blade Cover Plate holds the blade firmly against the Blade Block

Board Depth Pin - Pin lowers inside center of cutting mechanism as blade lowers, shows how deeply the blade has progressed through the cut

Hand Grip Ridges - Ridges on Safety Dome to firmly hold Circle Cutter while in use

Beam Adjustment Knob - Knob to hold Scaled Cutting Beam in place, loosen knob to slide beam and set circle diameter

Beam Block - Holds Scaled Cutting Beam, scale is read to the left of the block

Centering Pin - Pin marking center of resulting circle cut, does not damage foamboard surface

OPERATING INSTRUCTIONS

Blade Installation

- 1 Loosen **Beam Adjustment Knob** and remove the **Scaled Cutting Beam**. OR center the **Blade Block** in the opening of the **Safety Dome** for easy access.
- 2 Remove the **Blade Holding Knob** and **Blade Cover Plate**. Position the new blade in the blade channel, being careful to match the blade's position to the blade icon shown on the **Blade Block**. NOTE: a magnet in the blade channel will help to position the blade.
- 3 Replace the **Blade Cover Plate** with arrow pointing down, and reattach the **Blade Holding Knob** (**Fig. 1**). If you removed the **Scaled Cutting Beam**, replace it now.

Cutting

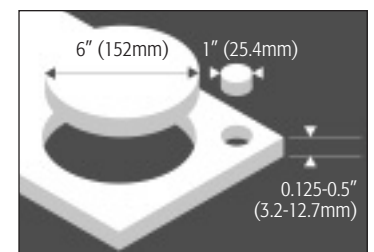
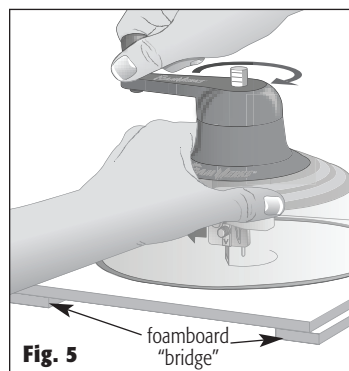
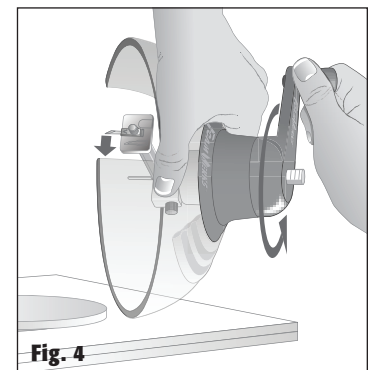
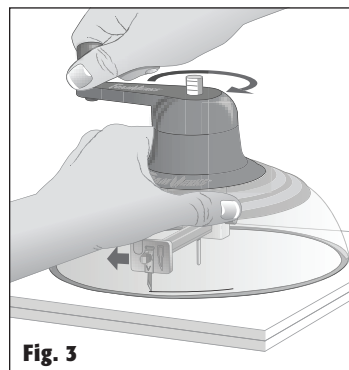
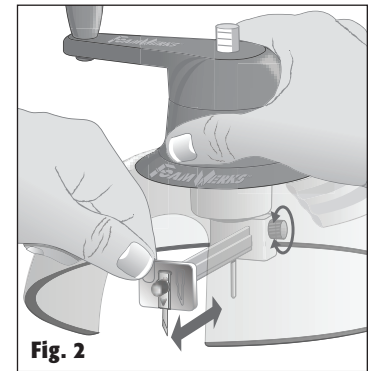
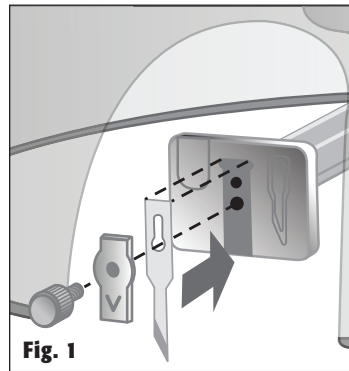
NOTE: Always protect tabletop with a scrap piece of foamboard underneath the board being cut.

- 1 Loosen the **Beam Adjustment Knob** and set the **Scaled Cutting Beam** to the desired circle diameter. Read the scale to the right of the **Beam Block**. Tighten the **Beam Adjustment Knob** (**Fig. 2**).
- 2 Make sure the blade is in the highest position by turning the **Cutting Knob** on the **Cutting Handle** counterclockwise.
- 3 Position the centering pin on the desired location. Grip the Circle Cutter with one hand on the **Hand Grip Ridges**, the other hand on the **Cutting Knob**. Turn the **Cutting Handle** clockwise in a continuous motion (**Fig. 3**). The **Board Depth Pin** will lower the same depth as the blade progressing through the board. You will feel additional resistance as the blade reaches the scrap foamboard under your work. Your circle cut is now complete.
- 4 Before setting down the cutter, stand the Circle Cutter on its side. With one hand on the **Hand Grip Ridges**, turn the cutting knob in a counterclockwise position until the blade returns to the highest position (**Fig. 4**).

SAFETY NOTE: Keep fingers clear of the blade area, especially when the **Scaled Cutting Beam** is in motion.

Bridge Cutting Method (works best for circle diameters of 2" or less)

- 1 Instead of placing scrap board underneath the entire circle area you intend to cut, build a bridge of small foamboard scraps to elevate the intended cutting area.
- 2 As you complete the cut, the blade will break through into the elevated clearing. This method will result in cleaner edges for smaller circle cuts (**Fig. 5**).



Cuts foamboard or cellfoam circles from 1" to 6" diameters (25.44 to 152mm), and depths from 1/8" to 1/2" (3.2 to 12.7mm).